



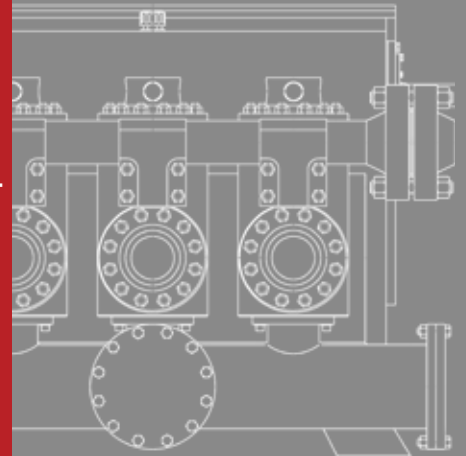
TSC MUD PUMP EXPENDABLES

Expendables

Accessories

Fluid End Modules

www.t-s-c.com



OGS GROUP

TSC Manufacturing and Supply

*Beyond Integration
Seamless Solutions™*



CW INDUSTRIAL, a division of CW Manufacturing, is our industrial equipment supply division dedicated to providing its customers with exceptional service and value in the industry. With an experienced and knowledgeable team proudly representing top tier manufacturers, we provide quality products & solutions for our Oil & Gas, Energy and Industrial Customers. Combined with our CW Manufacturing location, we provide complete turn key systems and packages, with full in-house design, engineering, fabrication, assembly and testing capabilities.



Triplex Mud Pumps



Fluid End Modules & Parts



7500PSI Upgrade Kits



Centrifugal Pumps



AC/DC Motors & Drives



Wireline Sheaves



Well Control Products



Power Transmission Products



Bearings, Seals, Repair Kits



System Packages

TABLE OF CONTENTS

INTRODUCTION

LINERS

High Chrome Sleeve Liner.....	9
Chrome-Plated Liner.....	9
Zirconia Liner	10

PISTONS

Urethane Piston	11
N'durall Premium Bonded Piston	12
Rubber Piston	13

PISTON RODS, EXTENSION RODS & CLAMPS

Piston Rods.....	14
Extension Rods.....	14

VALVES AND SEATS

Full Open Valve And Seat.....	15
3 Web Design and 4 Web Design Valve and Seat.....	15

FLUID END MODULES

FLUID END ACCESSORIES

RUBBER & ELASTOMER PRODUCTS.....

PULSATION DAMPENERS.....

MUD PUMP 7,500 PSI FLUID END UPGRADE KIT

MUD PUMP EXPENDABLE PARTS

TSC

WFU340.....	27
WF400	28
WFU450.....	29
WWS500.....	30

TSC Manufacturing and Supply LLC, 13788 West Road, Suite 100, Houston, Texas 77041, USA!

TABLE OF CONTENTS

WF700	31
WF1300B	32
WF1300BH	33
WF1300C	34
WF1600L	35
WF1600LH (7500 PSI).....	36
WF1600BH (7500 PSI)	37
WF2000 (7500 PSI)	38
WF2200	39
EMSCO	
F-350.....	40
F-500.....	41
F-650.....	42
F-800.....	43
F-1000.....	44
FB-1300	45
FB-1600	46
FC-1600	47
FC-2200	48
EWCO (LEWCO)	
W-440-LP	49
W-446	50
EWECO	
E-447	51
GARDNER DENVER	
TEE-5.....	52
PAH.....	53
PZ-7	54

TSC Manufacturing and Supply LLC, 13788 West Road, Suite 100, Houston, Texas 77041, USA!

TABLE OF CONTENTS

PZ-8	55
PZ-9	56
PZ-10	57
PZ-11	58
PZ-11HP.....	59
PXL	60
IDECO	
T-500	61
T-800	62
T-1000	63
T-1300	64
T-1600	65
NATIONAL	
JWS-165	66
JWS-340	67
JWS-400	68
7-P-50	69
8-P-80	70
9-P-100	71
10-P-130	72
12-P-160	73
12-P-160 Fast Change.....	74
12-P-160 (7500 PSI)	75
14-P-220	76
OILWELL	
A-350-PT.....	77
A-560-PT.....	78
A-600-PT.....	79

TSC Manufacturing and Supply LLC, 13788 West Road, Suite 100, Houston, Texas 77041, USA!

TABLE OF CONTENTS

A-850-PT.....	80
A-1100-PT.....	81
A-1400-PT.....	82
A-1700-PT.....	83
OPI	
OPI-700.....	84
BOMCO	
F-500.....	85
F-800.....	86
F-1000.....	87
FB-1300.....	88
FB-1600.....	89
LANSHI	
3NB1000C.....	90
3NB1300C.....	91
3NB1600.....	92
HONGHUA	
HHF-1300.....	93
HHF-1600.....	94
SOUTHWEST	
12-P-160.....	95
FB-1300.....	96
FB-1600.....	97
A-1400.....	98
A-1700.....	99
HHF-1600 (7500 PSI).....	100

FLUID END MODULE AND ACCESSORIES

TSC

TSC Manufacturing and Supply LLC, 13788 West Road, Suite 100, Houston, Texas 77041, USA!

TABLE OF CONTENTS

WFU340	102
WF400	104
WFU450	106
WWS500	108
WF700	110
WF1300B	112
WF1300BH	114
WF1300C	116
WF1600L	118
WF1600LH (7500 PSI).....	120
WF1600BH (7500 PSI)	122
WF2000 (7500 PSI)	124
WF2200	126
EMSCO	
F-350, F-500, F-650	128
F-800, F-1000	130
FB-1300, F-1600.....	132
FC-1600 (7500 PSI).....	134
FC-2200	136
GARDNER DENVER	
PAH.....	138
PZ-7, PZ-8, PZ-9	140
PZ-10, PZ-11.....	142
PZ-11HP (7500 PSI)	144
IDECO	
T-500, T-800, T-1000.....	146
T-1300, T-1600.....	148
NATIONAL	
8-P-80	150

TSC Manufacturing and Supply LLC, 13788 West Road, Suite 100, Houston, Texas 77041, USA!

TABLE OF CONTENTS

9-P-100	152
10-P-130	154
12-P-160	156
12-P-160 (FAST CHANGE)	158
12-P-160 (7500 PSI) (MISSION)	160
14-P-220	162
OILWELL	
A-850-PT, A-1100-PT, A-1400-PT, A-1700-PT.....	164
BOMCO	
F-500.....	166
F-800, F-1000	168
F-1300, F-1600	170
LANSHI	
3NB1000C	172
3NB1300C	174
3NB1600	176
HONGHUA	
HHF-1300, HHF-1600.....	178
SOUTHWEST	
SOUTHWEST NEW STYLE MODULE for 12-P-160	180
SOUTHWEST for FB-1300, FB-1600	182
SOUTHWEST for A-1400-PT, A-1700-PT	184
SOUTHWEST for HHF-1600 (7500 PSI)	186

TSC Manufacturing and Supply LLC, 13788 West Road, Suite 100, Houston, Texas 77041, USA!

INTRODUCTION

LINERS

When it comes to mud pump fluid end expendable parts, TSC Manufacturing and Supply, LLC. has it all.

TSC mud pump liners are designed and manufactured to meet or exceed original equipment specification and API standards for almost all types of mud pumps in use today. With advanced technology, metallurgical control and rigid inspection, we offer unmatched performance and durability according to customer testimonies in the most severe drilling conditions, both triplex and duplex liners are available in a wide range of sizes.

HIGH CHROME SLEEVE LINER

The outer hull, or body, of the liner is manufactured using high-strength forging. TSC uses forgings exclusively to ensure consistent quality. The sleeve is centrifugally cast in the TSC facilities by skilled craftsmen. It has the maximum amount of chrome for the base metal and TSC adds molybdenum to increase the hardness depth. The sleeve is then inserted into the hull at a tightness that exceeds its counterparts. The TSC liner is rated to match the pressure rating of the pump per liner size.

TSC mud pump liners are unsurpassed in quality and reliability.

Features

- Rated for all drilling operations.
- Bore hardness is 62-69 Rockwell.
- "HP" lip design to prevent inner sleeve slippage.
- Extremely long service life.



CHROME-PLATED LINER

TSC chrome-plates the same outer hull in lieu of the sleeve to maximum thickness. The hulls are then machined and polished to a mirror finish.

TSC Manufacturing and Supply LLC, 13788 West Road, Suite 100, Houston, Texas 77041, USA

INTRODUCTION

ZIRCONIA CERAMIC LINER

TSC's zirconia liners offer lifetime cost savings, significantly longer service, better performance and safer operation than those made of more commonly used alumina ceramic.

In addition, TSC's zirconia liner is a proprietary Zirconium-based matrix that has significantly improved mechanical characteristics.

Zirconia has three important property advantages compared to alumina.

- Zirconia exhibits better impact strength.
- Zirconia is harder than alumina.
- Zirconia can be honed to finer surface finishes than alumina. Finished to 4 RMS, the zirconia liners provide a surface finish that is three to four times finer than alumina.

All three of these property advantages translate to lower ownership costs. The improved wear directly extends the service life of the sleeve, while the improved impact strength reduces significantly the costs of replacing broken liners in the field. The surface finish improvements, meanwhile, have an indirect effect. The finer surface finish means less friction with the elastomer-and-metal pump pistons, which in turn extends piston life and reduces pump-cooling requirements.

- Reduced liner and piston wear.
- Increased impact characteristics.
- Lower thermal load on the liner wash system.
- Higher thermal ratings.
- HP design with shoulder-on-hull to prevent sleeve slippage.
- ID tolerances of $+ .010"/- .000"$.
- Surface finish of 4-8 RMS.
- Hardness is HV 0.3 kg/mm – 1100/1200 (92-94 Rc).
- Improved performance for high temperature applications.
- Liner sizes are available from 4"-8" for all popular mud pumps.



TSC Manufacturing and Supply LLC, 13788 West Road, Suite 100, Houston, Texas 77041, USA!

INTRODUCTION

PISTONS

TSC offers a full range of mud pump pistons for both triplex and duplex pumps. They are:

- Bonded urethane pistons.
- Bonded rubber pistons.
- Replaceable rubber pistons.
- N'Durall premium bonded pistons.



BONDED URETHANE PISTON

These pistons are constructed of double durometer urethane, bonded to a solid metal hub. Double durometer urethane is designed to provide optimum performance in oil-based mud and high drilling pressures.

Features

- Rated for all drilling operations.
- Maximum operating temperature is 180 °F.
- High pressure mud pump service.
- Extended service life.



TSC Manufacturing and Supply LLC, 13788 West Road, Suite 100, Houston, Texas 77041, USA!

INTRODUCTION

N'DURALL PREMIUM BONDED PISTON

TSC's "N'durall" mud pump piston improves drilling contractor economics through advances in technology, improved process control and increased drilling penetration rates.

Chemistry

Manufactured from advanced polymer compounds, the advances in chemistry ultimately provide superior mechanical values and chemical resistance. The increased mechanical values provide resistance to reciprocating pump pistons biggest enemies listed below.

- Heat.
- Abrasion.
- Extrusion.

The advanced polymer compound provides strength to withstand chemical attack from additives used in today's oil, synthetic and water based drilling fluids. The compound also has improved abrasion resistance from drilling solids suspended in drilling muds and excels in high temperature performance capable of operating in fluid temperature up to 300°F.

Improved Process Control

The "N'durall" carries stamped batch numbers on the piston body for use in monitoring manufacturing dates and as an aid in rotating shelf stock.

Design

The single durometer design and open mold casting contribute to overall performance and improved economics.

Machining

CNC machining of steel piston heads yields close tolerances for improved performance.

Applications

- High Pressure Drilling.
- Elevated Mud Temperature.
- Synthetic Drilling Fluid.
- Ceramic and Zirconia Liners.
- Chrome Sleeved Liners.



TSC Manufacturing and Supply LLC, 13788 West Road, Suite 100, Houston, Texas 77041, USA!

INTRODUCTION

BONDED RUBBER PISTON

TSC pistons are constructed of nitrile rubber bonded to a solid metal hub. The oil resistant rubber is designed to provide optimum performance in oil base or water base mud and high drilling pressures.

Features

- High tensile strength.
- Rated for all drilling operations.
- Maximum operating temperature is 250°F.
- Extended service life.



REPLACEABLE RUBBER PISTON

TSC replaceable rubber pistons are made with nitrile rubber to resist extrusion and abrasion. These pistons are fully interchangeable with most other manufactures products. Available sizes range from 3" through 7-1/2" and series are A, B, K and L.

Features

- High tensile strength.
- Rated for all drilling operations.
- Maximum operating temperature is 250°F.
- Extended service life.



TSC Manufacturing and Supply LLC, 13788 West Road, Suite 100, Houston, Texas 77041, USA!

INTRODUCTION

PISTON RODS

TSC piston rods are made with premium-grade, heat-treated alloy steel. The rods offer excellent resistance to fatigue, corrosion and heavy loads. A full line of piston rods are available for various pumps.

Features

- Fabricated with quality alloy steel.
- Numerically controlled machining.
- Long-lasting service life.
- Clamped and threaded.



EXTENSION RODS

TSC extension rods are made from high-strength alloy steel, either heat treated or chrome plated. The rod offers excellent resistance to fatigue, corrosion and heavy loads. They are machined and polished to ensure a perfect seal for protection of the mud pump gear end.

Features

- Fabricated with high quality steel.
- Numerically controlled machining.
- Long-lasting service life.
- Clamped and threaded.



TSC Manufacturing and Supply LLC, 13788 West Road, Suite 100, Houston, Texas 77041, USA!

INTRODUCTION

VALVES AND SEATS

TSC offers a full range of valves and seats test to withstand the harshest service conditions. Available in Full Open, 3 Web design & 4 Web design valve and seat.

FULL OPEN VALVE AND SEAT

Features

- Forged alloy construction.
- Heat treated wear and guide surfaces.
- Precision machined and manufactured to API standards.
- Precision molded Urethane inserts.
- Rubber and specialized inserts available.
- Associated parts, springs, guides & pullers.



3 WEB DESIGN / 4 WEB DESIGN VALVE AND SEAT

Features

- Heat treated premium alloy steel.
- Easy replacement of insert with a minimum of down time.
- Long-lasting service life.



TSC Manufacturing and Supply LLC, 13788 West Road, Suite 100, Houston, Texas 77041, USA!

INTRODUCTION

FLUID END MODULES

Our high-strength, triple reduction, forged steel triplex fluid end modules are made from the highest alloy steel. Heat treated for long working life, they are machined to perfection and packaged for delivery with anticorrosion protection. The precision-made jewelry-like exterior finish reflects our superior quality.

Features

- Completely interchangeable with OEM.
- Premium-forged alloy steel.
- Made on CNC boring mills.
- Strict computer controlled heat treat procedures.
- Rigid inspection.
- Rated for all drilling operations up to 7,500 psi.



TSC Manufacturing and Supply LLC, 13788 West Road, Suite 100, Houston, Texas 77041, USA!

INTRODUCTION

FLUID END ACCESSORIES

TSC's fluid end accessories are available for most of the popular triplex mud pumps. CNC machining renders these accessories uniformly dimensional and interchangeable with OEM. The perfect exterior surface reflects our superior quality.

Associated items

- Valve and cylinder head plug.
- Valve and cylinder head thread ring.
- Valve and cylinder head lock.
- Valve guide.
- Stud and nut.
- Specialty items.



TSC Manufacturing and Supply LLC, 13788 West Road, Suite 100, Houston, Texas 77041, USA!

INTRODUCTION

RUBBER & ELASTOMER PRODUCTS

- Extension rod seals.
- Valve guide bushings.
- Manifold O-ring.
- Baffle splash guards.



- Valve cover & cylinder head seals.
- Liner gaskets, wear plate gaskets.



Gaskets / Seals marked with an (*) indicate that various elastomers may be available. Common offerings are –U for Urethane or –RF for Rubber/Fabric. Please check with your sales associate for detailed offerings.

TSC Manufacturing and Supply LLC, 13788 West Road, Suite 100, Houston, Texas 77041, USA!

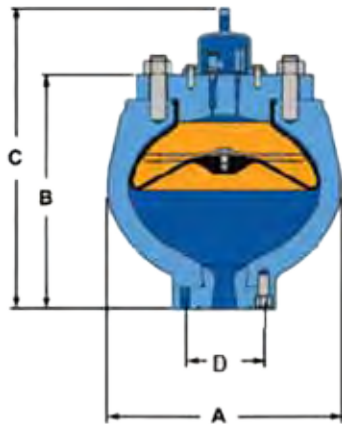
INTRODUCTION

PULSATION DAMPENERS

TSC offers a broad range of drilling and production spherical pulsation dampeners. Volumetric size range from 10 gallon to 20 gallon capacities and pressure range from 3000 psi to 7500 psi. The body of the TSC spherical pulsation dampeners is manufactured from a one piece steel forging, thereby eliminating the possibility of weld fatigue failure.

The one piece spherical design allows for high efficiency in a small volume and does not require addition structural support. The spherical design also offers much more piping flexibility than appendage style dampeners. Our proven stabilizer supported bladders offer superior life and reaction time in the most demanding applications.

RANGE AND CONNECTION SIZE



Type	Volume (Gal)	Pressure (psi)	Weight (Lbs)	Dimensions(inch)			
				A	B	C	D
TS-3.0-K10	10	3000	950	23.75	22.68	29.44	9.50
TS-5.0-K10	10	5000	950	23.75	22.68	29.44	9.50
TS-3.0-K20	20	3000	2500	28.25	29.00	38.50	9.50
TS-5.0-K20	20	5000	2500	28.25	29.00	38.50	9.50
TS-7.5-K20	20	7500	2500	28.25	29.00	38.50	9.50

TSC Manufacturing and Supply LLC, 13788 West Road, Suite 100, Houston, Texas 77041, USA
 Tel: +1 832 456 3900 Fax: +1 832 456 3998 E-mail: sales@tscms.com

INTRODUCTION

PULSATION DAMPENERS

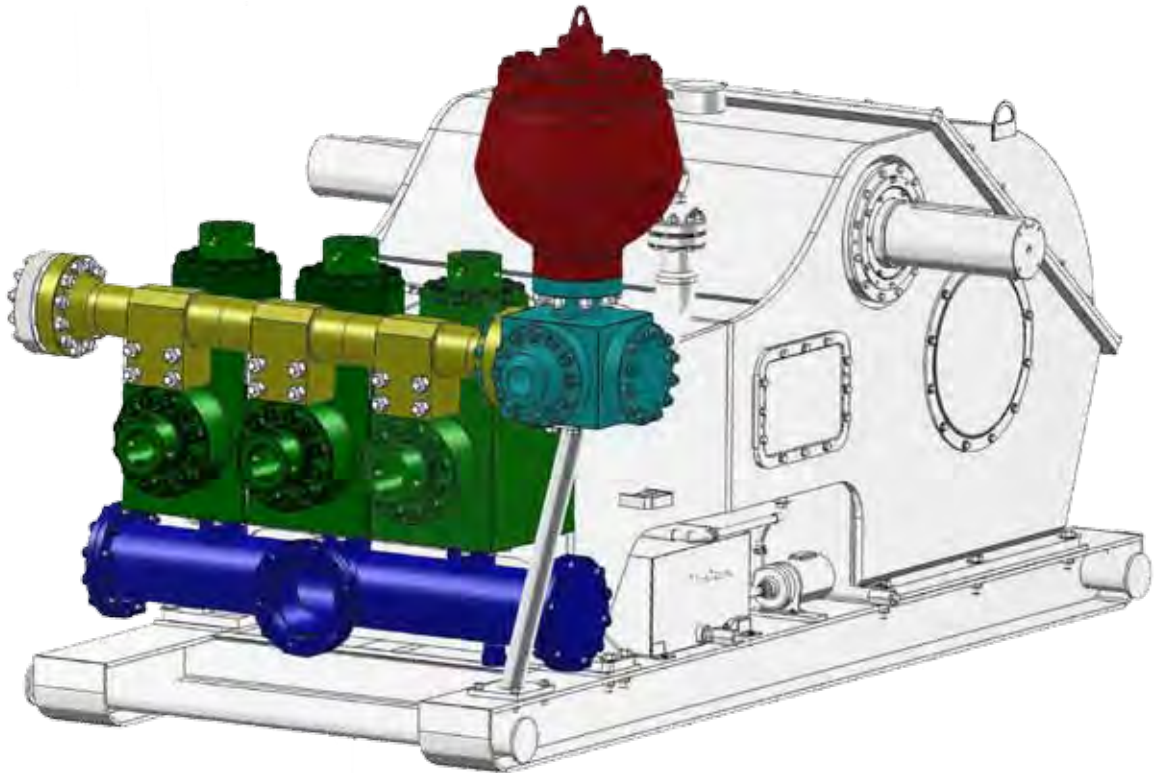
FEATURES

- Single piece forged body (with no circumferential welds), results in a stronger body and smoother inside surface.
- Inside surface machined to facilitate diaphragm movement.
- Field-replaceable top and bottom plates.
- Bottom plate connection to suit customer application.
- Diaphragms available in various materials to suit application requirements.
- Diaphragm equipped with stabilizer plate to eliminate folding and trapping of fluids, resulting in enhanced life.
- Nitrile (NBR), Hydrogenated Nitrile (HNBR), and Urethane diaphragms standard.
- Diaphragms can be replaced without removing the unit from the line.

TSC Manufacturing and Supply LLC, 13788 West Road, Suite 100, Houston, Texas 77041, USA!

INTRODUCTION

MUD PUMP 7,500 PSI FLUID END UPGRADE KIT

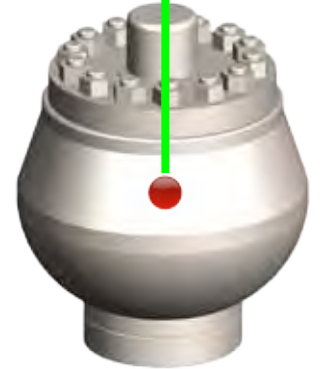


TSC Manufacturing and Supply LLC, 13788 West Road, Suite 100, Houston, Texas 77041, USA!



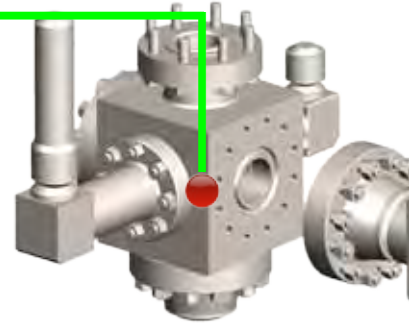
Pulsation Dampener

- Popular Hydril Interchangeable Style
- One Piece Forged Body
- Domestic Elastomer Products
- Nitrile (NBR), Hydrogenated Nitrile (HNBR), and Urethane Diaphragm Options to Match Customer Application Requirements
- Field- Replaceable Top and Bottom Plates
- Pressure tested to 1.5 Time of MAWP 7500 PSI
- ASME Coded Design Available



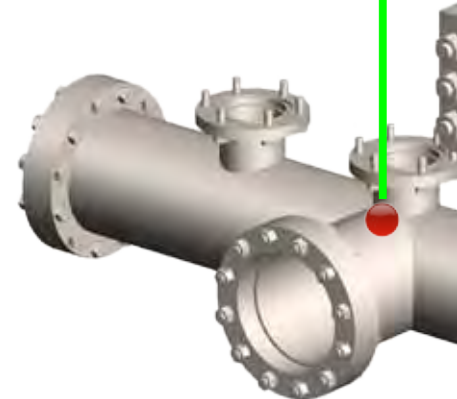
Discharge Strainer Cross

- 5-Way or 6-Way Configurations
- Adapters for Pressure Gauge and Relief Valve
- Pressure Test to 1.5 Time of MAWP 7,500 PSI
- Various Flange Sizes as Required
- Custom Design per Customer's Requirements



Suction Manifolds

- Precisely – Controlled
- Welding Jig for Better Fit



Available Mud Pump Models

- BOMCO F1600 - Southwest Style
- EMSCO FC1600
- GARDNER DENVER PZ11
- HH F1600 - Southwest Style
- NATIONAL 12P160
- TSC WF1300
- TSC WF1600

TSC Manufacturing and Supply LLC, 13788 West Road, Suite 100, Houston, Texas 77041, USA!

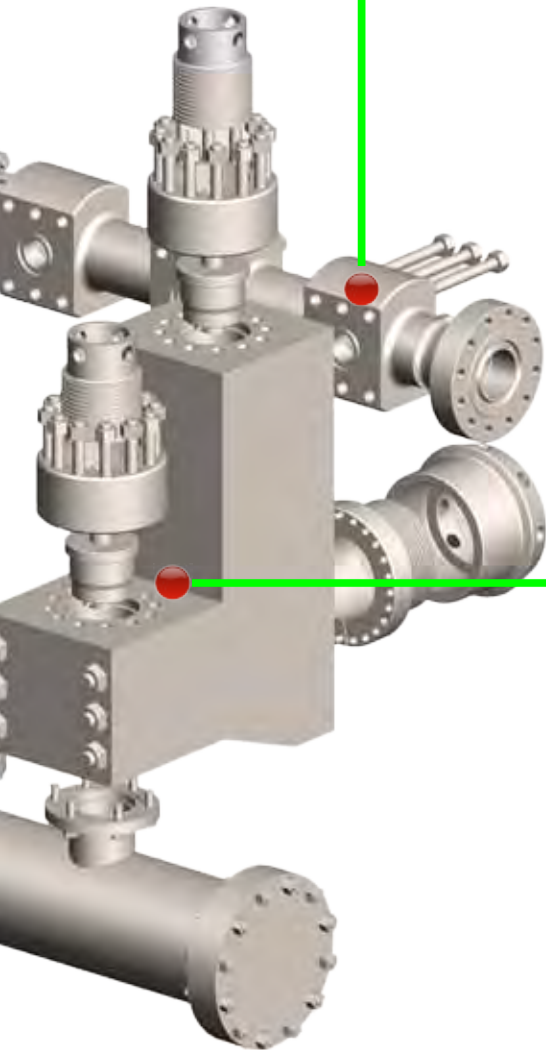


Discharge Manifolds

- Forged Steel Construction
- Heat Treated and Ultrasonic Non-Destructive Examination
- Hydrostatic Tested to 1.5 Time of MAWP 7,500 PSI
- Different Designs Available

Fluid End Modules

- OEM Interchangeable
- Pressure Test to 1.5 Time of MAWP 7,500 PSI
- Made from High Strength, Low Alloy Material
- Valve-Over-Valve or 2- Piece L-Shape Designs
- Quenched and Tempered for Longer Fatigue Life



- Localized Service through a Global Network
- Maintenance / Repair Service
- Alignment, Clearance & Tolerance Adjustments
- Internal Repair/Replacement Service
- Closed Circuit Pressure Testing
- API 7K, Q1 & ISO 9001 Certified
- World Class R&D Team
- Fully Stocked Local Inventories
- Wholly-owned Manufacturing Facilities
- Global Quality System
- Worldwide Immediate Parts Support
- Mature Global Supply Network

TSC Manufacturing and Supply LLC, 13788 West Road, Suite 100, Houston, Texas 77041, USA!

NOTES

TSC Manufacturing and Supply LLC, 13788 West Road, Suite 100, Houston, Texas 77041, USA!



**TSC MANUFACTURING AND SUPPLY, LLC.
FLUID END EXPENDABLES**



TSC Manufacturing and Supply LLC, 13788 West Road, Suite 100, Houston, Texas 77041, USA!

FLUID END EXPENDABLES

TSC Manufacturing and Supply, LLC is in no way affiliated with the companies listed in this parts book other than TSC. Reference to company names and company part numbers are for identification only and are not trademarks or tradenames used by or affiliated with TSC.

TSC Manufacturing and Supply LLC, 13788 West Road, Suite 100, Houston, Texas 77041, USA!

TSC

WFU340

4-1/2 x 5

LINERS		LINER GASKETS	PISTONS				PISTON RUBBERS
SIZE	PART NUMBER	PART NUMBER	URETHANE BONDED	RUBBER BONDED	N'DURALL BONDED	REPLACEABLE RUBBER	PART NUMBER
3 1/2"	TS-0240-34HP	G-925C	LLU-34-K10	LL-34-K10		I-34-K10	TM-34-KR
4"	TS-0240-40HP	G-925C	LLU-40-K10	LL-40-K10		I-40-K10	TM-40-KR
4 1/2"	TS-0240-44Cr	G-925C	LLU-44-B10	LL-44-B10		I-44-B10	TM-44-BR
PLUNGER	STUFFING BOX	ADJUSTING NUT	GLAND	ADAPTER	LUBE RING	WASHER	PACKING
2 3/4"	TS-1717829-1	TS-1717740-2	TS-1717762-2	TS-1717782-2	TS-1717772-2	TS-1717792-2	TS-6400035
3	TS-17179011	TS-1717902	TS-1712090	-	TS-1717331-2	TS-1717321-2	TS-6423002
3 1/2"	TS-1717835-1	TS-1717741-2	TS-1717765-2	TS-1717785-2	TS-1717775-2	TS-1717795-2	TS-6400038
4"	TS-1717837-1	TS-1717743-2	TS-1717767-2	TS-1717787-2	TS-1717777-2	TS-1717797-2	TS-6400040
VALVES, SEATS, SPRINGS					GASKETS		
	FULL OPEN (1)	FULL OPEN (2)			PART NUMBER		
VALVE	TS-1575M	TS-4-V7	VALVE COVER GASKET		TS-1718265		
SEAT SUCTION	TS-1571M	TS-4-S17	CYLINDER HEAD GASKET		-		
SEAT DISCHARGE	TS-1572M	TS-4-S18	WEAR PLATE GASKET		-		
SUCTION SPRING	TS-1712211	TS-19000-6	EXTENSION ROD SEAL		SE02-0066-0089-13		
DISCHARGE SPRING	TS-1712206	TS-5710-118					
INSERT (Urethane)	TS-1577M	TS-4-FIA	EXTENSION ROD BAFFLE		TS-1717016		
PULLER HEAD		TS-01300					
PISTON ROD & EXTENSION ROD							
ROD CLAMP	PISTON ROD STUD	PISTON NUT	THREADED TYPE PISTON ROD	CLAMP TYPE PISTON ROD	SUB ROD	THREADED TYPE EXTENSION ROD	CLAMP TYPE EXTENSION ROD
TM165-03-08	-	TM-NUT1		TM-165A	TM-165B	-	TM-165C
FLUID END MODULE							
FLUID END MODULE STUDED				MODULE SEAL SET		STUDS & NUTS SET	
TS-171719612				TMWFU34-SEALKIT		TMWFU34-STUDSET	

TSC does not warrant or represent that any of such information is accurate, or that any products listed are compatible with each other. Any deviations from the OEM products should be verified as to compatibility.

TSC Manufacturing and Supply LLC, 13788 West Road, Suite 100, Houston, Texas 77041, USA!

TSC

WF400

5 x 8

LINERS		LINER GASKETS		PISTONS			PISTON RUBBERS
SIZE	PART NUMBER	PART NUMBER	URETHANE BONDED	RUBBER BONDED	N'DURALL BONDED	REPLACEABLE RUBBER	PART NUMBER
3 1/2"	TS-0189-34HPA	G-266 *	-	-		I-34-K15	TM-34-KR
4"	TS-0189-40HPA	G-266 *	LLU-40-K15	LL-40-K15		I-40-K15	TM-40-KR
4 1/2"	TS-0189-44CrA	G-266 *	LLU-44-B15	LL-44-B15		I-44-B15	TM-44-BR
BIG OD							
4 1/2"	TS-0193-44HPA	G-266 *	LLU-44-B15	LL-44-B15		I-44-B15	TM-44-BR
5"	TS-0193-50CrA	G-266 *	LLU-50-B15	LL-50-B15		I-50-B15	TM-50-BR
VALVES, SEATS, SPRINGS					GASKETS		
	3 WEB DESIGN		FULL OPEN				PART NUMBER
VALVE	TS-PJ-482A		TS-4-V1		VALVE COVER GASKET		G-799 *
SEAT	TS-PJ-451		TS-4-S5		CYLINDER HEAD GASKET		G-799 *
SPRING	TS-5710-33		TS-5710-33		WEAR PLATE GASKET		-
INSERT (Urethane)	TS-PJ-452		TS-4-FI		EXTENSION ROD SEAL		TS-2011872
INSERT (Rubber)	-		-		EXTENSION ROD BAFFLE		TS-5FXK840
PISTON ROD & EXTENSION ROD							
ROD CLAMP	PISTON ROD STUD	PISTON NUT	THREADED TYPE PISTON ROD	CLAMP TYPE PISTON ROD	SUB ROD	THREADED TYPE EXTENSION ROD	CLAMP TYPE EXTENSION ROD
TMPAH-03-08	-	TM-NUT	-	TM-193A	-	-	TMPZ8-01-06
FLUID END MODULE							
FLUID END MODULE STUDDER			MODULE SEAL SET		STUDS & NUTS SET		
TS-200PJH029B			TMPAH-SEALKIT		TMPAH-STUDSET		

TSC does not warrant or represent that any of such information is accurate, or that any products listed are compatible with each other. Any deviations from the OEM products should be verified as to compatibility.

TSC Manufacturing and Supply LLC, 13788 West Road, Suite 100, Houston, Texas 77041, USA!



TSC

WFU450

6 x 8-1/2

LINERS		LINER GASKETS	PISTONS				PISTON RUBBERS
SIZE	PART NUMBER	PART NUMBER	URETHANE BONDED	RUBBER BONDED	N'DURALL BONDED	REPLACEABLE RUBBER	PART NUMBER
3 1/2"	TS-0189-34HPA	G-266 *	-	-		I-34-K15	TM-34-KR
4"	TS-0189-40HPA	G-266 *	LLU-40-K15	LL-40-K15		I-40-K15	TM-40-KR
4 1/2"	TS-0189-44CrA	G-266 *	LLU-44-B15	LL-44-B15		I-44-B15	TM-44-BR
BIG OD							
4 1/2"	TS-0193-44HPA	G-266 *	LLU-44-B15	LL-44-B15		I-44-B15	TM-44-BR
5"	TS-0193-50CrA	G-266 *	LLU-50-B15	LL-50-B15		I-50-B15	TM-50-BR
5 1/2"	TS-0193-54CrB	G-266B	LLU-54-B15	LL-54-B15		I-54-B15	TM-54-BR
6"	TS-0193-60CrB	G-266B	LLU-60-B15	LL-60-B15		I-60-B15	TM-60-BR
VALVES, SEATS, SPRINGS					GASKETS		
	3 WEB DESIGN		FULL OPEN				PART NUMBER
VALVE	TS-PJ-482A		TS-4-V1		VALVE COVER GASKET		G-799 *
SEAT	TS-PJ-451		TS-4-S5		CYLINDER HEAD GASKET		G-799 *
SPRING	TS-5710-33		TS-5710-33		WEAR PLATE GASKET		-
INSERT (Urethane)	TS-PJ-452		TS-4-FI		EXTENSION ROD SEAL		TS-2011872
INSERT (Rubber)	-		-		EXTENSION ROD BAFFLE		TS-5FXK840
PISTON ROD & EXTENSION ROD							
ROD CLAMP	PISTON ROD STUD	PISTON NUT	THREADED TYPE PISTON ROD	CLAMP TYPE PISTON ROD	SUB ROD	THREADED TYPE EXTENSION ROD	CLAMP TYPE EXTENSION ROD
TMPAH-03-08	TS-PP1005294	TM-NUT	TM-U400-AU	TM-193A	TM-U400-BU	-	TMPZ8-01-06
FLUID END MODULE							
FLUID END MODULE STUDDER				MODULE SEAL SET		STUDS & NUTS SET	
TS-200PJH029BUS				TMPAH-SEALKIT		TMPAH-STUDSET	

TSC does not warrant or represent that any of such information is accurate, or that any products listed are compatible with each other. Any deviations from the OEM products should be verified as to compatibility.

TSC Manufacturing and Supply LLC, 13788 West Road, Suite 100, Houston, Texas 77041, USA!



TSC

WWS500

5 x 8

LINERS		LINER GASKETS	PISTONS				PISTON RUBBERS
SIZE	PART NUMBER	PART NUMBER	URETHANE BONDED	RUBBER BONDED	N'DURALL BONDED	REPLACEABLE RUBBER	PART NUMBER
3 1/2"	TS-0189-34HPA	G-266 *	-	-	-	I-34-K15	TM-34-KR
4"	TS-0189-40HPA	G-266 *	LLU-40-K15	LL-40-K15	HPW-40-K15	I-40-K15	TM-40-KR
4 1/2"	TS-0189-44CrA	G-266 *	LLU-44-B15	LL-44-B15	HPW-44-B15	I-44-B15	TM-44-BR
BIG OD							
4 1/2"	TS-0193-44HPA	G-266 *	LLU-44-B15	LL-44-B15	HPW-44-B15	I-44-B15	TM-44-BR
5"	TS-0193-50CrA	G-266 *	LLU-50-B15	LL-50-B15	HPW-50-B15	I-50-B15	TM-50-BR
VALVES, SEATS, SPRINGS					GASKETS		
	3 WEB DESIGN		FULL OPEN			PART NUMBER	
VALVE	TS-PJ-482A		TS-4-V1		VALVE COVER GASKET		G-799 *
SEAT	TS-PJ-451		TS-4-S5		CYLINDER HEAD GASKET		G-799 *
SPRING	TS-5710-33		TS-5710-33		WEAR PLATE GASKET		-
INSERT (Urethane)	TS-PJ-452		TS-4-FI		EXTENSION ROD SEAL		TS-2011872
INSERT (Rubber)	-		-		EXTENSION ROD BAFFLE		TS-5FXK840
PISTON ROD & EXTENSION ROD							
ROD CLAMP	PISTON ROD STUD	PISTON NUT	THREADED TYPE PISTON ROD	CLAMP TYPE PISTON ROD	SUB ROD	THREADED TYPE EXTENSION ROD	CLAMP TYPE EXTENSION ROD
TMPAH-03-08	-	TM-NUT	-	TM-193A	-	-	TMPZ8-01-06
FLUID END MODULE							
FLUID END MODULE STUDED				MODULE SEAL SET		STUDS & NUTS SET	
TS-WWS500B				TMPAH-SEALKIT		TMPAH-STUDSET	

TSC does not warrant or represent that any of such information is accurate, or that any products listed are compatible with each other. Any deviations from the OEM products should be verified as to compatibility.

TSC Manufacturing and Supply LLC, 13788 West Road, Suite 100, Houston, Texas 77041, USA!



TSC

WF700

7 x 9

LINERS		ZIRCONIA LINERS	LINER GASKETS	PISTONS				PISTON RUBBERS
SIZE	PART NUMBER	PART NUMBER	PART NUMBER	URETHANE BONDED	RUBBER BONDED	N'DURALL BONDED	REPLACEABLE RUBBER	PART NUMBER
4"	TS-1191-40HP	TS-07493400	G-692 *	LLU-40-K15	LL-40-K15	HPW-40-K15	I-40-K15	TM-40-KR
4 1/2"	TS-1191-44HP	TS-07493450	G-692 *	LLU-44-B15	LL-44-B15	HPW-44-B15	I-44-B15	TM-44-BR
5"	TS-1191-50HP	TS-07493500	G-692 *	LLU-50-B15	LL-50-B15	HPW-50-B15	I-50-B15	TM-50-BR
5 1/2"	TS-1191-54HP	TS-07493550	G-692 *	LLU-54-B15	LL-54-B15	HPW-54-B15	I-54-B15	TM-54-BR
5 3/4"	TS-1191-56HP	TS-07493575	G-692 *	LLU-56-B15	LL-56-B15	HPW-56-B15	I-56-B15	TM-56-BR
6"	TS-1191-60HP	TS-07493600	G-692 *	LLU-60-B15	LL-60-B15	HPW-60-B15	I-60-B15	TM-60-BR
6 1/4"	TS-1191-62HP	TS-07493625	G-692 *	LLU-62-L15	LL-62-L15	HPW-62-L15	I-62-L15	TM-62-LR
6 1/2"	TS-1191-64HP	TS-07493650	G-692 *	LLU-64-L15	LL-64-L15	HPW-64-L15	I-64-L15	TM-64-LR
6 3/4"	TS-1191-66HP	TS-07493675	G-692 *	LLU-66-L15	LL-66-L15	HPW-66-L15	I-66-L15	TM-66-LR
7"	TS-1191-70Cr		G-692 *	LLU-70-L15	LL-70-L15	HPW-70-L15	I-70-L15	TM-70-LR
VALVES, SEATS, SPRINGS						GASKETS		
		4 WEB DESIGN	FULL OPEN	FULL OPEN (BONDED)				PART NUMBER
	VALVE	TS-7-EEF	TS-7-V1	TS-7-V2B		VALVE COVER GASKET		G-749 *
	VALVE (High Temperature)	-	-	TS-7-V2BH		CYLINDER HEAD GASKET		G-749 *
	VALVE (High Performance)	-	-	TS-7-V2BP		WEAR PLATE GASKET		G-758 *
	SEAT	TS-7-DDB1	TS-7-S1	TS-7-S1		EXTENSION ROD SEAL		TS-2011872
	SPRING	TS-5710-115	TS-5710-115L	TS-5710-115L		EXTENSION ROD BAFFLE		030301-103-0800A1
	INSERT (Urethane)	TS-7-WI	TS-7-FI	-				
	INSERT (Rubber)	TS-7-WR	-	-				
	PULLER HEAD	TS-HP1700-7	TS-RND7	TS-RND7				
PISTON ROD & EXTENSION ROD								
ROD CLAMP	PISTON ROD STUD	PISTON NUT	THREADED TYPE PISTON ROD	CLAMP TYPE PISTON ROD	SUB ROD	THREADED TYPE EXTENSION ROD	CLAMP TYPE EXTENSION ROD	
TMPZ9-03-08	-	TM-NUT	TM-202	TM-191	-	TMPZ9-01-06T	030301-103-0700A1	
FLUID END MODULE								
FLUID END MODULE STUDED				MODULE SEAL SET		STUDS & NUTS SET		
TS-205PZL029D				TMPZ9-SEALKIT		TMPZ9-STUDSET		

TSC does not warrant or represent that any of such information is accurate, or that any products listed are compatible with each other. Any deviations from the OEM products should be verified as to compatibility.

TSC Manufacturing and Supply LLC, 13788 West Road, Suite 100, Houston, Texas 77041, USA!



TSC

WF1300B

7 x 10

LINERS		ZIRCONIA LINERS	LINER GASKETS	PISTONS				PISTON RUBBERS
SIZE	PART NUMBER	PART NUMBER	PART NUMBER	URETHANE BONDED	RUBBER BONDED	N'DURALL BONDED	REPLACEABLE RUBBER	PART NUMBER
4"	TS-0197-40HPA	TS-07496400A	G-692 *	LLU-40-K15	LL-40-K15	HPW-40-K15	I-40-K15	TM-40-KR
4 1/2"	TS-0197-44HPA	TS-07496450A	G-692 *	LLU-44-B15	LL-44-B15	HPW-44-B15	I-44-B15	TM-44-BR
5"	TS-0197-50HPA	TS-07496500A	G-692 *	LLU-50-B15	LL-50-B15	HPW-50-B15	I-50-B15	TM-50-BR
5 1/2"	TS-0197-54HPA	TS-07496550A	G-692 *	LLU-54-B15	LL-54-B15	HPW-54-B15	I-54-B15	TM-54-BR
5 3/4"	TS-0197-56HPA	TS-07496575A	G-692 *	LLU-56-B15	LL-56-B15	HPW-56-B15	I-56-B15	TM-56-BR
6"	TS-0197-60HPA	TS-07496600A	G-692 *	LLU-60-B15	LL-60-B15	HPW-60-B15	I-60-B15	TM-60-BR
6 1/4"	TS-0197-62HPA	TS-07496625A	G-692 *	LLU-62-L15	LL-62-L15	HPW-62-L15	I-62-L15	TM-62-LR
6 1/2"	TS-0197-64HPA	TS-07496650A	G-692 *	LLU-64-L15	LL-64-L15	HPW-64-L15	I-64-L15	TM-64-LR
6 3/4"	TS-0197-66HPA	TS-07496675A	G-692 *	LLU-66-L15	LL-66-L15	HPW-66-L15	I-66-L15	TM-66-LR
7"	TS-0197-70HPA	TS-07496700A	G-692 *	LLU-70-L15	LL-70-L15	HPW-70-L15	I-70-L15	TM-70-LR
VALVES, SEATS, SPRINGS						GASKETS		
		4 WEB DESIGN	FULL OPEN	FULL OPEN (BONDED)				PART NUMBER
VALVE		TS-7-EEF	TS-7-V1	TS-7-V2B		VALVE COVER GASKET		G-798 *
VALVE (High Temperature)		-	-	TS-7-V2BH		CYLINDER HEAD GASKET		G-798 *
VALVE (High Performance)		-	-	TS-7-V2BP		WEAR PLATE GASKET		G-758 *
SEAT		TS-7-DDB1	TS-7-S1	TS-7-S1		EXTENSION ROD SEAL		TS-2011872
SPRING		TS-5710-115	TS-5710-115L	TS-5710-115L		EXTENSION ROD BAFFLE		TS-720-8503
INSERT (Urethane)		TS-7-WI	TS-7-FI	-				
INSERT (Rubber)		TS-7-WR	-	-				
PULLER HEAD		TS-HP1700-7	TS-RND7	TS-RND7				
PISTON ROD & EXTENSION ROD								
ROD CLAMP	PISTON ROD STUD	PISTON NUT	THREADED TYPE PISTON ROD	CLAMP TYPE PISTON ROD	SUB ROD	THREADED TYPE EXTENSION ROD		CLAMP TYPE EXTENSION ROD
TMPZ11-03-08	-	TM-NUT	TM-201	TM-200	-	TMPZ11-01-06T		TMPZ11-01-06
FLUID END MODULE								
FLUID END MODULE STUDED				MODULE SEAL SET		STUDS & NUTS SET		
TS-202PZL029B				TMPZ11-SEALKIT		TMPZ11-STUDSET		

TSC does not warrant or represent that any of such information is accurate, or that any products listed are compatible with each other. Any deviations from the OEM products should be verified as to compatibility.

TSC Manufacturing and Supply LLC, 13788 West Road, Suite 100, Houston, Texas 77041, USA!



TSC

WF1300BH

7 x 11

SIZE	LINERS	ZIRCONIA LINERS	LINER GASKETS	PISTONS				PISTON RUBBERS
	PART NUMBER	PART NUMBER	PART NUMBER	URETHANE BONDED	RUBBER BONDED	N'DURALL BONDED	REPLACEABLE RUBBER	PART NUMBER
4 1/2"	TS-1197-44HP	TS-07561450	G-756	LLU-44-B15	LL-44-B15	HPW-44-B15	I-44-B15	TM-44-BR
5"	TS-1197-50HP	TS-07561500	G-756	LLU-50-B15	LL-50-B15	HPW-50-B15	I-50-B15	TM-50-BR
5 1/2"	TS-1197-54HP	TS-07561550	G-756	LLU-54-B15	LL-54-B15	HPW-54-B15	I-54-B15	TM-54-BR
5 3/4"	TS-1197-56HP	TS-07561575	G-756	LLU-56-B15	LL-56-B15	HPW-56-B15	I-56-B15	TM-56-BR
6"	TS-1197-60HP	TS-07561600	G-756	LLU-60-B15	LL-60-B15	HPW-60-B15	I-60-B15	TM-60-BR
6 1/4"	TS-1197-62HP	TS-07561625	G-757	LLU-62-L15	LL-62-L15	HPW-62-L15	I-62-L15	TM-62-LR
6 1/2"	TS-1197-64HP	TS-07561650	G-757	LLU-64-L15	LL-64-L15	HPW-64-L15	I-64-L15	TM-64-LR
6 3/4"	TS-1197-66HP	TS-07561675	G-757	LLU-66-L15	LL-66-L15	HPW-66-L15	I-66-L15	TM-66-LR
7"	TS-1197-70HP	TS-07561700	G-757	LLU-70-L15	LL-70-L15	HPW-70-L15	I-70-L15	TM-70-LR
VALVES, SEATS, SPRINGS						GASKETS		
		4 WEB DESIGN	FULL OPEN	FULL OPEN (BONDED)		PART NUMBER		
	VALVE	TS-6-EH	TS-6-V1	TS-6-V2BH	VALVE COVER GASKET	TS-309PZL316		
	VALVE (High Temperature)	-	TS-6-V1H	TS-6-V2BP	CYLINDER HEAD GASKET	TS-303PZL316		
	VALVE (High Performance)	-		TS-6-V2BHP	WEAR PLATE GASKET	TS-2011872-2		
	SEAT	TS-6-ADDB6	TS-6-S6	TS-6-S6	STD PONY ROD SEAL	TS-720-5803		
	SPRING	TS-5710-115	TS-5710-115	TS-5710-115	EXTENSION ROD BAFFLE	TS-720-8503		
	INSERT (Urethane)	TS-6-WI	-	-	UPGRADE PONY ROD SEAL			
	INSERT (Rubber)	TS-6-WR	-	-				
	PULLER HEAD	TS-HP1700-6	TS-RND6	TS-RND6				
PISTON ROD & EXTENSION ROD								
ROD CLAMP	PISTON ROD STUD	TS-RND6 PISTON NUT	THREADED TYPE PISTON ROD	SUB ROD	THREADED TYPE EXTENSION ROD	CLAMP TYPE EXTENSION ROD		
TMPZ11-03-08	TS-PP1005294	TM-NUT	TS-PP1005290	TS-PP1005292	-	TMPZ11-01-06C		
FLUID END MODULE								
FLUID END MODULE STUDED			MODULE SEAL SET		STUDS & NUTS SET			
030406-105-0200AS			TMWF1300BH-SEALKIT		TMWF1300BH-STUDSSET			

TSC does not warrant or represent that any of such information is accurate, or that any products listed are compatible with each other. Any deviations from the OEM products should be verified as to compatibility.

TSC Manufacturing and Supply LLC, 13788 West Road, Suite 100, Houston, Texas 77041, USA!



TSC

WF1300C

7 x 10

SIZE	LINERS	ZIRCONIA LINER	LINER GASKETS	PISTONS				PISTON RUBBERS
	PART NUMBER	PART NUMBER	PART NUMBER	URETHANE BONDED	RUBBER BONDED	N'DURALL BONDED	REPLACEABLE RUBBER	PART NUMBER
4"	TS-0148-40HPA	TS-07495400A	G-282 *	LLU-40-K15	LL-40-K15	HPW-40-K15	I-40-K15	TM-40-KR
4 1/2"	TS-0148-44HPA	TS-07495450A	G-282 *	LLU-44-B15	LL-44-B15	HPW-44-B15	I-44-B15	TM-44-BR
5"	TS-0148-50HPA	TS-07495500A	G-282 *	LLU-50-B15	LL-50-B15	HPW-50-B15	I-50-B15	TM-50-BR
5 1/2"	TS-0148-54HPA	TS-07495550A	G-282 *	LLU-54-B15	LL-54-B15	HPW-54-B15	I-54-B15	TM-54-BR
5 3/4"	TS-0148-56HPA	TS-07499575A	G-282 *	LLU-56-B15	LL-56-B15	HPW-56-B15	I-56-B15	TM-56-BR
6"	TS-0148-60HPA	TS-07495600A	G-282 *	LLU-60-B15	LL-60-B15	HPW-60-B15	I-60-B15	TM-60-BR
6 1/4"	TS-0148-62HPA	TS-07495625A	G-282 *	LLU-62-L15	LL-62-L15	HPW-62-L15	I-62-L15	TM-62-LR
6 1/2"	TS-0148-64HPA	TS-07495650A	G-282 *	LLU-64-L15	LL-64-L15	HPW-64-L15	I-64-L15	TM-64-LR
6 3/4"	TS-0148-66HPA	TS-07495675A	G-282 *	LLU-66-L15	LL-66-L15	HPW-66-L15	I-66-L15	TM-66-LR
7"	TS-0148-70CrA		G-282 *	LLU-70-L15	LL-70-L15	HPW-70-L15	I-70-L15	TM-70-LR
VALVES, SEATS, SPRINGS						GASKETS		
		4 WEB DESIGN	FULL OPEN	FULL OPEN (BONDED)				PART NUMBER
VALVE		TS-6-EH	TS-6-V1	TS-6-V2B		VALVE COVER GASKET		G-740 *
VALVE (High Temperature)		-	-	TS-6-V2BH		CYLINDER HEAD GASKET		G-282 *
VALVE (High Performance)		-	-	TS-6-V2BP		WEAR PLATE GASKET		-
SEAT		TS-6-ADDB6	TS-6-S6	TS-6-S6		EXTENSION ROD SEAL		TS-2011872
SPRING		TS-5710-115	TS-5710-115L	TS-5710-115L		EXTENSION ROD BAFFLE		TS-720-5803
INSERT (Urethane)		TS-6-WI	TS-6-FI	-				
INSERT (Rubber)		-	-	-				
PULLER HEAD		TS-HP1700-6	TS-RND6	TS-RND6				
PISTON ROD & EXTENSION ROD								
ROD CLAMP	PISTON ROD STUD	PISTON NUT	THREADED TYPE PISTON ROD	CLAMP TYPE PISTON ROD	SUB ROD	THREADED TYPE EXTENSION ROD		CLAMP TYPE EXTENSION ROD
TMP11-03-08	-	TM-NUT	-	TM-200	-	-		TMPZ11-01-06
FLUID END MODULE								
FLUID END MODULE STUDED				MODULE SEAL SET		STUDS & NUTS SET		
TS-6999-0086-02				TMF10-SEALKIT		TMF10-STUDSET		

TSC does not warrant or represent that any of such information is accurate, or that any products listed are compatible with each other. Any deviations from the OEM products should be verified as to compatibility.

TSC Manufacturing and Supply LLC, 13788 West Road, Suite 100, Houston, Texas 77041, USA!



TSC

WF1600L

7 x 11

SIZE	LINERS	ZIRCONIA LINERS	LINER GASKETS	PISTONS				PISTON RUBBERS
	PART NUMBER	PART NUMBER	PART NUMBER	URETHANE BONDED	RUBBER BONDED	N'DURALL BONDED	REPLACEABLE RUBBER	PART NUMBER
4"	TS-0197-40HPA	TS-07496400A	G-692 *	LLU-40-K15	LL-40-K15	HPW-40-K15	I-40-K15	TM-40-KR
4 1/2"	TS-0197-44HPA	TS-07496450A	G-692 *	LLU-44-B15	LL-44-B15	HPW-44-B15	I-44-B15	TM-44-BR
5"	TS-0197-50HPA	TS-07496500A	G-692 *	LLU-50-B15	LL-50-B15	HPW-50-B15	I-50-B15	TM-50-BR
5 1/2"	TS-0197-54HPA	TS-07496550A	G-692 *	LLU-54-B15	LL-54-B15	HPW-54-B15	I-54-B15	TM-54-BR
5 3/4"	TS-0197-56HPA	TS-07496575A	G-692 *	LLU-56-B15	LL-56-B15	HPW-56-B15	I-56-B15	TM-56-BR
6"	TS-0197-60HPA	TS-07496600A	G-692 *	LLU-60-B15	LL-60-B15	HPW-60-B15	I-60-B15	TM-60-BR
6 1/4"	TS-0197-62HPA	TS-07496625A	G-692 *	LLU-62-L15	LL-62-L15	HPW-62-L15	I-62-L15	TM-62-LR
6 1/2"	TS-0197-64HPA	TS-07496650A	G-692 *	LLU-64-L15	LL-64-L15	HPW-64-L15	I-64-L15	TM-64-LR
6 3/4"	TS-0197-66HPA	TS-07496675A	G-692 *	LLU-66-L15	LL-66-L15	HPW-66-L15	I-66-L15	TM-66-LR
7"	TS-0197-70HPA	TS-07496700A	G-692 *	LLU-70-L15	LL-70-L15	HPW-70-L15	I-70-L15	TM-70-LR
VALVES, SEATS, SPRINGS						GASKETS		
		4 WEB DESIGN	FULL OPEN	FULL OPEN (BONDED)				PART NUMBER
VALVE		TS-7-EEF	TS-7-V1	TS-7-V2B	VALVE COVER GASKET			G-798 *
VALVE (High Temperature)		-	-	TS-7-V2BH	CYLINDER HEAD GASKET			G-798 *
VALVE (High Temperature)		-	-	TS-7-V2BP	WEAR PLATE GASKET			G-758 *
SEAT		TS-7-DDB1	TS-7-S1	TS-7-S1	EXTENSION ROD SEAL			TS-2011872
SPRING		TS-5710-115	TS-5710-115L	TS-5710-115L	EXTENSION ROD BAFFLE			TS-720-8503
INSERT (Urethane)		TS-7-WI	TS-7-FI	-				
INSERT (Rubber)		TS-7-WR	-	-				
PULLER HEAD		TS-HP1700-7	TS-RND7	TS-RND7				
PISTON ROD & EXTENSION ROD								
ROD CLAMP	PISTON ROD STUD	PISTON NUT	THREADED TYPE PISTON ROD	CLAMP TYPE PISTON ROD	SUB ROD	THREADED TYPE EXTENSION ROD	CLAMP TYPE EXTENSION ROD	
TMP11-03-08	-	TM-NUT	-	TM-200	-	-	030503-103-0500A2	
FLUID END MODULE								
FLUID END MODULE STUDDED				MODULE SEAL SET		STUDS & NUTS SET		
TS-202PZL029B				TMPZ11-SEALKIT		TMPZ11-STUDSET		

TSC does not warrant or represent that any of such information is accurate, or that any products listed are compatible with each other. Any deviations from the OEM products should be verified as to compatibility.

TSC Manufacturing and Supply LLC, 13788 West Road, Suite 100, Houston, Texas 77041, USA!



TSC

WF1600LH (7500 PSI)

7 x 11

	LINERS	ZIRCONIA LINERS	LINER GASKETS	PISTONS				PISTON RUBBERS
SIZE	PART NUMBER	PART NUMBER	PART NUMBER	URETHANE BONDED	RUBBER BONDED	N'DURALL BONDED	REPLACEABLE RUBBER	PART NUMBER
4 1/2"	TS-1197-44HP	TS-07466450	G-756	LLU-44-B15	LL-44-B15	HPW-44-B15	I-44-B15	TM-44-BR
5"	TS-1197-50HP	TS-07466500	G-756	LLU-50-B15	LL-50-B15	HPW-50-B15	I-50-B15	TM-50-BR
5 1/2"	TS-1197-54HP	TS-07466550	G-756	LLU-54-B15	LL-54-B15	HPW-54-B15	I-54-B15	TM-54-BR
5 3/4"	TS-1197-56HP	TS-07466575	G-756	LLU-56-B15	LL-56-B15	HPW-56-B15	I-56-B15	TM-56-BR
6"	TS-1197-60HP	TS-07466600	G-756	LLU-60-B15	LL-60-B15	HPW-60-B15	I-60-B15	TM-60-BR
6 1/4"	TS-1197-62HP	TS-07466625	G-757	LLU-62-L15	LL-62-L15	HPW-62-L15	I-62-L15	TM-62-LR
6 1/2"	TS-1197-64HP	TS-07466650	G-757	LLU-64-L15	LL-64-L15	HPW-64-L15	I-64-L15	TM-64-LR
6 3/4"	TS-1197-66HP	TS-07466675	G-757	LLU-66-L15	LL-66-L15	HPW-66-L15	I-66-L15	TM-66-LR
7"	TS-1197-70HP	TS-07466700		LLU-70-L15	LL-70-L15	HPW-70-L15	I-70-L15	TM-70-LR
VALVES, SEATS, SPRINGS						TS-07466700		
		4 WEB DESIGN		FULL OPEN (BONDED)				PART NUMBER
VALVE		TS-6-EH		TS-6-V2BH		VALVE COVER GASKET		TS-309PZL316
VALVE (High Temperature)		-		TS-6-V2BP		CYLINDER HEAD GASKET		TS-309PZL316
VALVE (High Performance)		-		TS-6-V2BHP		WEAR PLATE GASKET		TS-316PZL316
SEAT		TS-6-ADDB6		TS-6-S6		EXTENSION ROD SEAL		TS-2011872
SPRING		TS-5710-115		TS-5710-115		EXTENSION ROD BAFFLE		TS-720-8503
INSERT (Urethane)		TS-6-WI		-				
INSERT (Rubber)		TS-6-WR		-				
PULLER HEAD		TS-HP1700-6		TS-RND6				
PISTON ROD & EXTENSION ROD								
ROD CLAMP	2-PIECE PISTON ROD STUD	PISTON NUT	2-PIECE THREADED TYPE PISTON ROD	CLAMP TYPE PISTON ROD	2-PIECE SUB ROD	THREADED TYPE EXTENSION ROD		CLAMP TYPE EXTENSION ROD
TMPZ11-03-08	TM-PP1005294	TM-NUT	TS-PP1005290	TM-200	TS-PP1005292	-		030503-103-0500A2
FLUID END MODULE								
FLUID END MODULE STUDDED			MODULE SEAL SET			STUDS & NUTS SET		
TS-300PZL2039OE			TMPZ11HP-SEALKIT			TMPZ11HP-STUDSSET		

TSC does not warrant or represent that any of such information is accurate, or that any products listed are compatible with each other. Any deviations from the OEM products should be verified as to compatibility.

TSC Manufacturing and Supply LLC, 13788 West Road, Suite 100, Houston, Texas 77041, USA!



TSC

WF1600BH (7500 PSI)

7-1/2 x 12

	LINERS	ZIRCONIA LINERS	LINER GASKETS	PISTONS				PISTON RUBBERS
SIZE	PART NUMBER	PART NUMBER	PART NUMBER	URETHANE BONDED	RUBBER BONDED	N'DURALL BONDED	REPLACEABLE RUBBER	PART NUMBER
4"	TS-0259-40HP	TS-07466400	-	LLU-40-K15	LL-40-K15	HPW-40-K15	I-40-K15	TM-40-KR
4 1/2"	TS-0259-44HP	TS-07466450	G-265 *	LLU-44-B15	LL-44-B15	HPW-44-B15	I-44-B15	TM-44-BR
5"	TS-0259-50HP	TS-07466500	G-265 *	LLU-50-B15	LL-50-B15	HPW-50-B15	I-50-B15	TM-50-BR
5 1/2"	TS-0259-54HP	TS-07466550	G-263 *	LLU-54-B15	LL-54-B15	HPW-54-B15	I-54-B15	TM-54-BR
5 3/4"	TS-0259-56HP	TS-07466575	-	LLU-56-B15	LL-56-B15	HPW-56-B15	I-56-B15	TM-56-BR
6"	TS-0259-60HP	TS-07466600	G-261 *	LLU-60-B15	LL-60-B15	HPW-60-B15	I-60-B15	TM-60-BR
6 1/4"	TS-0259-62HP	TS-07466625	G-283 *	LLU-62-L15	LL-62-L15	HPW-62-L15	I-62-L15	TM-62-LR
6 1/2"	TS-0259-64HP	TS-07466650	G-284 *	LLU-64-L15	LL-64-L15	HPW-64-L15	I-64-L15	TM-64-LR
6 3/4"	TS-0259-66HP	TS-07466675	G-287 *	LLU-66-L15	LL-66-L15	HPW-66-L15	I-66-L15	TM-66-LR
7"	TS-0259-70HP	TS-07466700	G-285 *	LLU-70-L15	LL-70-L15	HPW-70-L15	I-70-L15	TM-70-LR
VALVES, SEATS, SPRINGS						GASKETS		
		4 WEB DESIGN		FULL OPEN (BONDED)				PART NUMBER
VALVE		TS-7-EEF		TS-7-V2B		VALVE COVER GASKET		TS-P-129
VALVE (High Temperature)		-		TS-7-V2BH		CYLINDER HEAD GASKET		-
VALVE (High Performance)		-		TS-7-V2BP		WEAR PLATE GASKET		TS-1290344
SEAT		TS-7-DDB12		TS-7-S12		EXTENSION ROD SEAL		1402-1810000263
SPRING		TS-5710-115		TS-5710-115L		EXTENSION ROD BAFFLE		030601-703-0600A
INSERT (Urethane)		TS-7-WI		-				
INSERT (Rubber)		TS-7-WR		-				
PULLER HEAD		TS-HP1700-7		TS-RND7				
PISTON ROD & EXTENSION ROD								
ROD CLAMP	PISTON ROD STUD	PISTON NUT	THREADED TYPE PISTON ROD	CLAMP TYPE PISTON ROD	SUB ROD	THREADED TYPE EXTENSION ROD	CLAMP TYPE EXTENSION ROD	
TM12P-03-08	-	TM-NUT	-	TM-258-A	TM-258-B	-	030504-103-0300A	
FLUID END MODULE								
SUCTION MODULE STUDDER	DISCHARGE MODULE STUDDER		MODULE SEAL SET		STUDS & NUTS SET			
TS-80704001	TS-80704000		TM12PHPM-SEALKIT		TM12PHPM-STUDSETD TM12PHPM-STUDSETS			

TSC does not warrant or represent that any of such information is accurate, or that any products listed are compatible with each other. Any deviations from the OEM products should be verified as to compatibility.

TSC Manufacturing and Supply LLC, 13788 West Road, Suite 100, Houston, Texas 77041, USA!



TSC

WF2000 (7500 PSI)

7-1/2 x 12

SIZE	LINERS	ZIRCONIA LINERS	LINER GASKETS	PISTONS				PISTON RUBBERS
	PART NUMBER	PART NUMBER	PART NUMBER	URETHANE BONDED	RUBBER BONDED	N'DURALL BONDED	REPLACEABLE RUBBER	PART NUMBER
4"	TS-0259-40HP	TS-07466400	-	LLU-40-K15	LL-40-K15	HPW-40-K15	I-40-K15	TM-40-KR
4 1/2"	TS-0259-44HP	TS-07466450	G-265 *	LLU-44-B15	LL-44-B15	HPW-44-B15	I-44-B15	TM-44-BR
5"	TS-0259-50HP	TS-07466500	G-265 *	LLU-50-B15	LL-50-B15	HPW-50-B15	I-50-B15	TM-50-BR
5 1/2"	TS-0259-54HP	TS-07466550	G-263 *	LLU-54-B15	LL-54-B15	HPW-54-B15	I-54-B15	TM-54-BR
5 3/4"	TS-0259-56HP	TS-07466575	-	LLU-56-B15	LL-56-B15	HPW-56-B15	I-56-B15	TM-56-BR
6"	TS-0259-60HP	TS-07466600	G-261 *	LLU-60-B15	LL-60-B15	HPW-60-B15	I-60-B15	TM-60-BR
6 1/4"	TS-0259-62HP	TS-07466625	G-283 *	LLU-62-L15	LL-62-L15	HPW-62-L15	I-62-L15	TM-62-LR
6 1/2"	TS-0259-64HP	TS-07466650	G-284 *	LLU-64-L15	LL-64-L15	HPW-64-L15	I-64-L15	TM-64-LR
6 3/4"	TS-0259-66HP	TS-07466675	G-287 *	LLU-66-L15	LL-66-L15	HPW-66-L15	I-66-L15	TM-66-LR
7"	TS-0259-70HP	TS-07466700	G-285 *	LLU-70-L15	LL-70-L15	HPW-70-L15	I-70-L15	TM-70-LR
VALVES, SEATS, SPRINGS						GASKETS		
		4 WEB DESIGN		FULL OPEN (BONDED)				PART NUMBER
	VALVE	TS-7-EEF		TS-7-V2B		VALVE COVER GASKET		TS-P-129
	VALVE (High Temperature)	-		TS-7-V2B		CYLINDER HEAD GASKET		-
	VALVE (High Performance)	-		TS-7-V2BHP		WEAR PLATE GASKET		TS-1290344
	SEAT	TS-7-DDB12		TS-7-S12		EXTENSION ROD SEAL		1402-1810000263
	SPRING	TS-5710-115		TS-5710-115L		EXTENSION ROD BAFFLE		030601-703-0600A
	INSERT (Urethane)	TS-7-WI		-				
	INSERT (Rubber)	TS-7-WR		-				
	PULLER HEAD	TS-HP1700-7		TS-RND7				
PISTON ROD & EXTENSION ROD								
ROD CLAMP	PISTON ROD STUD	PISTON NUT	THREADED TYPE PISTON ROD	CLAMP TYPE PISTON ROD	SUB ROD	THREADED TYPE EXTENSION ROD	CLAMP TYPE EXTENSION ROD	
TM12P-03-08	-	TM-NUT	-	TM-258-A	TM-258-B	-	030601-103-00500A	
FLUID END MODULE								
SUCTION MODULE STUDDER		DISCHARGE MODULE STUDDER		MODULE SEAL SET		STUDS & NUTS SET		
TS-80704001		TS-80704000		TM12PHPM-SEALKIT		TM12PHPM-STUDSETD TM12PHPM-STUDSETS		

TSC does not warrant or represent that any of such information is accurate, or that any products listed are compatible with each other. Any deviations from the OEM products should be verified as to compatibility.

TSC Manufacturing and Supply LLC, 13788 West Road, Suite 100, Houston, Texas 77041, USA!



TSC

WF2200

9 x 14

LINERS		ZIRCONIA LINERS	LINER GASKETS	PISTONS				PISTON RUBBERS
SIZE	PART NUMBER	PART NUMBER	PART NUMBER	URETHANE BONDED	RUBBER BONDED	N'DURALL BONDED	REPLACEABLE RUBBER	PART NUMBER
5"	TS-0260-50HP	TS-07545500	G-265 *	LLU-50-B15	LL-50-B15	HPW-50-B15	I-50-B15	TM-50-BR
5 1/2"	TS-0260-54HP	TS-07545550	G-263 *	LLU-54-B15	LL-54-B15	HPW-54-B15	I-54-B15	TM-54-BR
5 3/4"	TS-0260-56HP		-	LLU-56-B15	LL-56-B15	HPW-56-B15	I-56-B15	TM-56-BR
6 "	TS-0260-60HP	TS-07545600	G-261 *	LLU-60-B15	LL-60-B15	HPW-60-B15	I-60-B15	TM-60-BR
6 1/4"	TS-0260-62HP	TS-07545625	G-283 *	LLU-62-L15	LL-62-L15	HPW-62-L15	I-62-L15	TM-62-LR
6 1/2"	TS-0260-64HP	TS-07545650	G-284 *	LLU-64-L15	LL-64-L15	HPW-64-L15	I-64-L15	TM-64-LR
6 3/4"	TS-0260-66HP	TS-07545675	G-287 *	LLU-66-L15	LL-66-L15	HPW-66-L15	I-66-L15	TM-66-LR
7"	TS-0260-70HP	TS-07545700	G-285 *	LLU-70-L15	LL-70-L15	HPW-70-L15	I-70-L15	TM-70-LR
7 1/4"	TS-0260-72HP	TS-07545725		LLU-72-L15	LL-72-L15	HPW-72-L15	I-72-L15	TM-72-LR
7 1/2"	TS-0260-74HP	TS-07545750		LLU-74-L15	LL-74-L15	HPW-74-L15	I-74-L15	TM-74-LR
VALVES, SEATS, SPRINGS						GASKETS		
		4 WEB DESIGN		FULL OPEN (BONDED)				PART NUMBER
VALVE		TS-U5B-23		TS-8-V2B		VALVE COVER GASKET		TS-1540163
VALVE (High Temperature)		-		TS-8-V2BH		CYLINDER HEAD GASKET		-
VALVE (High Performance)		-		TS-8-V2BP		WEAR PLATE GASKET		TS-1295257
SEAT		TS-8-DDB7		TS-8-S7		EXTENSION ROD SEAL		1402-1810000263
SPRING		TS-5710-023		TS-0702M		EXTENSION ROD BAFFLE		030701-103-0800A
INSERT (Urethane)		TS-8-WI		-				
INSERT (Rubber)		TS-8-WR		-				
PULLER HEAD		TS-HP1700-8		TS-01472				
PISTON ROD & EXTENSION ROD								
ROD CLAMP	PISTON ROD STUD	PISTON NUT	THREADED TYPE PISTON ROD	CLAMP TYPE PISTON ROD	SUB ROD	THREADED TYPE EXTENSION ROD		CLAMP TYPE EXTENSION ROD
TM14P-03-08	-	TM-NUT	-	TM-1295147	TS-1295146	-		TM14P-01-06
FLUID END MODULE								
SUCTION MODULE STUDD		DISCHARGE MODULE STUDD		MODULE SEAL SET		STUDS & NUTS SET		
TS-1295243		TS-1295240		TM14P-SEALKIT		TM14P-STUDSETD TM14P-STUDSETS		

TSC does not warrant or represent that any of such information is accurate, or that any products listed are compatible with each other.
Any deviations from the OEM products should be verified as to compatibility.

TSC Manufacturing and Supply LLC, 13788 West Road, Suite 100, Houston, Texas 77041, USA!



EMSCO

F-350

6-3/4 x 7

LINERS		LINER GASKETS	PISTONS				PISTON RUBBER
SIZE	PART NUMBER	PART NUMBER	URETHANE BONDED	RUBBER BONDED	N'DURALL BONDED	REPLACEABLE RUBBER	PART NUMBER
4"	TS-0146-40HP	G-281 *	LLU-40-K10	LL-40-K10	HPW-40-K10	I-40-K10	TM-40-KR
4 1/2"	TS-0146-44HP	G-281 *	LLU-44-B10	LL-44-B10	HPW-44-B10	I-44-B10	TM-44-BR
5"	TS-0146-50HP	G-281 *	LLU-50-B10	LL-50-B10	HPW-50-B10	I-50-B10	TM-50-BR
5 1/2"	TS-0146-54HP	G-281 *	LLU-54-B10	LL-54-B10	HPW-54-B10	I-54-B10	TM-54-BR
5 3/4"	TS-0146-56HP	G-281 *	LLU-56-B10	LL-56-B10	HPW-56-B10	I-56-B10	TM-56-BR
6"	TS-0146-60HP	G-281 *	LLU-60-B10	LL-60-B10	HPW-60-B10	I-60-B10	TM-60-BR
6 1/4"	TS-0146-62HP	G-281 *	LLU-62-L10	LL-62-L10	HPW-62-L10	I-62-L10	TM-62-LR
6 1/2"	TS-0146-64HP	G-281 *	LLU-64-L10	LL-64-L10	HPW-64-L10	I-64-L10	TM-64-LR
6 3/4"	TS-0146-66Cr	G-281 *	LLU-66-L10	LL-66-L10	HPW-66-L10	I-66-L10	TM-66-LR
VALVES, SEATS, SPRINGS					GASKETS		
	4 WEB DESIGN		FULL OPEN				PART NUMBER
VALVE	TS-5-M5B5		TS-5-V1		VALVE COVER GASKET		G-733 *
SEAT	TS-5-DDB1		TS-5-S1		CYLINDER HEAD GASKET		G-281 *
SPRING	TS-5710-111		TS-5710-111		WEAR PLATE GASKET		-
INSERT (Urethane)	TS-5-WI		TS-5-FI		EXTENSION ROD SEAL		-
INSERT (Rubber)	-		-		EXTENSION ROD BAFFLE		-
PULLER HEAD	TS-03550		TS-01328				
PISTON ROD & EXTENSION ROD							
ROD CLAMP	PISTON ROD STUD	PISTON NUT	THREADED TYPE PISTON ROD	CLAMP TYPE PISTON ROD	SUB ROD	THREADED TYPE EXTENSION ROD	CLAMP TYPE EXTENSION ROD
TMF05-03-08	-	TM-NUT1	-	TM-147	-	-	TMF05-01-06
FLUID END MODULE							
FLUID END MODULE STUDED				MODULE SEAL SET		STUDS & NUTS SET	
TS-6318-0151-00				TMF05-SEALKIT		TMF05-STUDSET	

TSC does not warrant or represent that any of such information is accurate, or that any products listed are compatible with each other. Any deviations from the OEM products should be verified as to compatibility.

TSC Manufacturing and Supply LLC, 13788 West Road, Suite 100, Houston, Texas 77041, USA!



EMSCO

F-500

6-3/4 x 7-1/2

LINERS		LINER GASKETS	PISTONS				PISTON RUBBER
SIZE	PART NUMBER	PART NUMBER	URETHANE BONDED	RUBBER BONDED	N'DURALL BONDED	REPLACEABLE RUBBER	PART NUMBER
4"	TS-0146-40HP	G-281 *	LLU-40-K10	LL-40-K10	HPW-44-K10	I-40-K10	TM-40-KR
4 1/2"	TS-0146-44HP	G-281 *	LLU-44-B10	LL-44-B10	HPW-44-B10	I-44-B10	TM-44-BR
5"	TS-0146-50HP	G-281 *	LLU-50-B10	LL-50-B10	HPW-50-B10	I-50-B10	TM-50-BR
5 1/2"	TS-0146-54HP	G-281 *	LLU-54-B10	LL-54-B10	HPW-54-B10	I-54-B10	TM-54-BR
5 3/4"	TS-0146-56HP	G-281 *	LLU-56-B10	LL-56-B10	HPW-56-B10	I-56-B10	TM-56-BR
6"	TS-0146-60HP	G-281 *	LLU-60-B10	LL-60-B10	HPW-60-B10	I-60-B10	TM-60-BR
6 1/4"	TS-0146-62HP	G-281 *	LLU-62-L10	LL-62-L10	HPW-62-L10	I-62-L10	TM-62-LR
6 1/2"	TS-0146-64HP	G-281 *	LLU-64-L10	LL-64-L10	HPW-64-L10	I-64-L10	TM-64-LR
6 3/4"	TS-0146-66Cr	G-281 *	LLU-66-L10	LL-66-L10	HPW-66-L10	I-66-L10	TM-66-LR
VALVES, SEATS, SPRINGS					GASKETS		
	4 WEB DESIGN		FULL OPEN				PART NUMBER
VALVE	TS-5-M5B5		TS-5-V1		VALVE COVER GASKET		G-733 *
SEAT	TS-5-DDB1		TS-5-S1		CYLINDER HEAD GASKET		G-281 *
SPRING	TS-5710-111		TS-5710-111		WEAR PLATE GASKET		-
INSERT (Urethane)	TS-5-WI		TS-5-FI		EXTENSION ROD SEAL		-
INSERT (Rubber)	-		-		EXTENSION ROD BAFFLE		-
PULLER HEAD	TS-03550		TS-01328				
PISTON ROD & EXTENSION ROD							
ROD CLAMP	PISTON ROD STUD	PISTON NUT	THREADED TYPE PISTON ROD	CLAMP TYPE PISTON ROD	SUB ROD	THREADED TYPE EXTENSION ROD	CLAMP TYPE EXTENSION ROD
TMF05-03-08	-	TM-NUT1	-	TM-146	-	-	TMF05-01-06
FLUID END MODULE							
FLUID END MODULE STUDED				MODULE SEAL SET		STUDS & NUTS SET	
TS-6318-0151-00				TMF05-SEALKIT		TMF05-STUDSET	

TSC does not warrant or represent that any of such information is accurate, or that any products listed are compatible with each other. Any deviations from the OEM products should be verified as to compatibility.

TSC Manufacturing and Supply LLC, 13788 West Road, Suite 100, Houston, Texas 77041, USA!



EMSCO

F-650

6-3/4 x 8

	LINERS		LINER GASKETS	PISTONS			PISTON RUBBER
SIZE	PART NUMBER	PART NUMBER	URETHANE BONDED	RUBBER BONDED	N'DURALL BONDED	REPLACEABLE RUBBER	PART NUMBER
4"	TS-0146-40HP	G-281 *	LLU-40-K15	LL-40-K15	HPW-40-K15	I-40-K15	TM-40-KR
4 1/2"	TS-0146-44HP	G-281 *	LLU-44-B15	LL-44-B15	HPW-44-B15	I-44-B15	TM-44-BR
5"	TS-0146-50HP	G-281 *	LLU-50-B15	LL-50-B15	HPW-50-B15	I-50-B15	TM-50-BR
5 1/2"	TS-0146-54HP	G-281 *	LLU-54-B15	LL-54-B15	HPW-54-B15	I-54-B15	TM-54-BR
5 3/4"	TS-0146-56HP	G-281 *	LLU-56-B15	LL-56-B15	HPW-56-B15	I-56-B15	TM-56-BR
6"	TS-0146-60HP	G-281 *	LLU-60-B15	LL-60-B15	HPW-60-B15	I-60-B15	TM-60-BR
6 1/4"	TS-0146-62HP	G-281 *	LLU-62-L15	LL-62-L15	HPW-62-L15	I-62-L15	TM-62-LR
6 1/2"	TS-0146-64HP	G-281 *	LLU-64-L15	LL-64-L15	HPW-64-L15	I-64-L15	TM-64-LR
6 3/4"	TS-0146-66Cr	G-281 *	LLU-66-L15	LL-66-L15	HPW-66-L15	I-66-L15	TM-66-LR
VALVES, SEATS, SPRINGS					GASKETS		
	4 WEB DESIGN		FULL OPEN			PART NUMBER	
VALVE	TS-5-M5B5		TS-5-V1		VALVE COVER GASKET	G-733 *	
SEAT	TS-5-DDB1		TS-5-S1		CYLINDER HEAD GASKET	G-281 *	
SPRING	TS-5710-111		TS-5710-111		WEAR PLATE GASKET	-	
INSERT (Urethane)	TS-5-WI		TS-5-FI		EXTENSION ROD SEAL	-	
INSERT (Rubber)	-		-		EXTENSION ROD BAFFLE	-	
PULLER HEAD	TS-03550		TS-01328				
PISTON ROD & EXTENSION ROD							
ROD CLAMP	PISTON ROD STUD	PISTON NUT	THREADED TYPE PISTON ROD	CLAMP TYPE PISTON ROD	SUB ROD	THREADED TYPE EXTENSION ROD	CLAMP TYPE EXTENSION ROD
TMF65-03-08	-	TM-NUT	-	TM-151	-	-	TMF65-01-06
FLUID END MODULE							
FLUID END MODULE STUDED				MODULE SEAL SET		STUDS & NUTS SET	
TS-6318-0151-00				TMF05-SEALKIT		TMF05-STUDEST	

TSC does not warrant or represent that any of such information is accurate, or that any products listed are compatible with each other. Any deviations from the OEM products should be verified as to compatibility.

TSC Manufacturing and Supply LLC, 13788 West Road, Suite 100, Houston, Texas 77041, USA!



EMSCO

F-800

7 x 9

LINERS		ZIRCONIA LINER	LINER GASKETS	PISTONS				PISTON RUBBER
SIZE	PART NUMBER	PART NUMBER	PART NUMBER	URETHANE BONDED	RUBBER BONDED	N'DURALL BONDED	REPLACEABLE RUBBER	PART NUMBER
4"	TS-0148-40HP	TS-07495400	G-282 *	LLU-40-K15	LL-40-K15	HPW-40-K15	I-40-K15	TM-40-KR
4 1/2"	TS-0148-44HP	TS-07495450	G-282 *	LLU-44-B15	LL-44-B15	HPW-44-B15	I-44-B15	TM-44-BR
5"	TS-0148-50HP	TS-07495500	G-282 *	LLU-50-B15	LL-50-B15	HPW-50-B15	I-50-B15	TM-50-BR
5 1/2"	TS-0148-54HP	TS-07495550	G-282 *	LLU-54-B15	LL-54-B15	HPW-54-B15	I-54-B15	TM-54-BR
5 3/4"	TS-0148-56HP	TS-07499575	G-282 *	LLU-56-B15	LL-56-B15	HPW-56-B15	I-56-B15	TM-56-BR
6"	TS-0148-60HP	TS-07495600	G-282 *	LLU-60-B15	LL-60-B15	HPW-60-B15	I-60-B15	TM-60-BR
6 1/4"	TS-0148-62HP	TS-07495625	G-282 *	LLU-62-L15	LL-62-L15	HPW-62-L15	I-62-L15	TM-62-LR
6 1/2"	TS-0148-64HP	TS-07495650	G-282 *	LLU-64-L15	LL-64-L15	HPW-64-L15	I-64-L15	TM-64-LR
6 3/4"	TS-0148-66HP	TS-07495675	G-282 *	LLU-66-L15	LL-66-L15	HPW-66-L15	I-66-L15	TM-66-LR
7"	TS-0148-70Cr		G-282 *	LLU-70-L15	LL-70-L15	HPW-70-L15	I-70-L15	TM-70-LR
VALVES, SEATS, SPRINGS						GASKETS		
		4 WEB DESIGN	FULL OPEN (1)	FULL OPEN (2)				PART NUMBER
VALVE		TS-6-EH	TS-0995M	TS-6-V1	VALVE COVER GASKET			G-740 *
SEAT		TS-6-ADDB6	TS-1380M	TS-6-S6	CYLINDER HEAD GASKET			G-282 *
SPRING		TS-5710-115	TS-0701M	TS-5710-115	WEAR PLATE GASKET			-
INSERT (Urethane)		TS-6-WI	TS-6-MI	TS-6-FI	EXTENSION ROD SEAL			TS-6305-0071-00
INSERT (Rubber)		TS-6-WR	-	TS-6-FR	EXTENSION ROD BAFFLE			TS-6320-0028-00
PULLER HEAD		TS-HP1700-6	-	TS-RND6				
PISTON ROD & EXTENSION ROD								
ROD CLAMP	PISTON ROD STUD	PISTON NUT	THREADED TYPE PISTON ROD	CLAMP TYPE PISTON ROD	SUB ROD	THREADED TYPE EXTENSION ROD		CLAMP TYPE EXTENSION ROD
TMF08-03-08	-	TM-NUT	-	TM-150	-	-		TMF08-01-06
FLUID END MODULE								
FLUID END MODULE STUDED				MODULE SEAL SET		STUDS & NUTS SET		
TS-6999-0086-02				TMF10-SEALKIT		TMF10-STUDSET		

TSC does not warrant or represent that any of such information is accurate, or that any products listed are compatible with each other. Any deviations from the OEM products should be verified as to compatibility.

TSC Manufacturing and Supply LLC, 13788 West Road, Suite 100, Houston, Texas 77041, USA!



EMSCO

F-1000

7 x 10

SIZE	LINERS	ZIRCONIA LINERS	LINER GASKETS	PISTONS				PISTON RUBBER
	PART NUMBER	PART NUMBER	PART NUMBER	URETHANE BONDED	RUBBER BONDED	N'DURALL BONDED	REPLACEABLE RUBBER	PART NUMBER
4"	TS-0148-40HP	TS-07495400	G-282 *	LLU-40-K15	LL-40-K15	HPW-40-K15	I-40-K15	TM-40-KR
4 1/2"	TS-0148-44HP	TS-07495450	G-282 *	LLU-44-B15	LL-44-B15	HPW-44-B15	I-44-B15	TM-44-BR
5"	TS-0148-50HP	TS-07495500	G-282 *	LLU-50-B15	LL-50-B15	HPW-50-B15	I-50-B15	TM-50-BR
5 1/2"	TS-0148-54HP	TS-07495550	G-282 *	LLU-54-B15	LL-54-B15	HPW-54-B15	I-54-B15	TM-54-BR
5 3/4"	TS-0148-56HP	TS-07499575	G-282 *	LLU-56-B15	LL-56-B15	HPW-56-B15	I-56-B15	TM-56-BR
6"	TS-0148-60HP	TS-07495600	G-282 *	LLU-60-B15	LL-60-B15	HPW-60-B15	I-60-B15	TM-60-BR
6 1/4"	TS-0148-62HP	TS-07495625	G-282 *	LLU-62-L15	LL-62-L15	HPW-62-L15	I-62-L15	TM-62-LR
6 1/2"	TS-0148-64HP	TS-07495650	G-282 *	LLU-64-L15	LL-64-L15	HPW-64-L15	I-64-L15	TM-64-LR
6 3/4"	TS-0148-66HP	TS-07495675	G-282 *	LLU-66-L15	LL-66-L15	HPW-66-L15	I-66-L15	TM-66-LR
7"	TS-0148-70Cr		G-282 *	LLU-70-L15	LL-70-L15	HPW-70-L15	I-70-L15	TM-70-LR
VALVES, SEATS, SPRINGS						GASKETS		
		4 WEB DESIGN		FULL OPEN (1)	FULL OPEN (2)			PART NUMBER
VALVE		TS-6-EH		TS-0995M	TS-6-V1		VALVE COVER GASKET	G-740 *
SEAT		TS-6-ADDB6		TS-1380M	TS-6-S6		CYLINDER HEAD GASKET	G-282 *
SPRING		TS-5710-115		TS-0701M	TS-5710-115		WEAR PLATE GASKET	-
INSERT (Urethane)		TS-6-WI		TS-6-MI	TS-6-FI		EXTENSION ROD SEAL	TS-7602-2132-75
INSERT (Rubber)		-		-	-		EXTENSION ROD BAFFLE	TS-6319-0070-00
PULLER HEAD		TS-HP1700-6		-	TS-RND6			
PISTON ROD & EXTENSION ROD								
ROD CLAMP	PISTON ROD STUD	PISTON NUT	THREADED TYPE PISTON ROD	CLAMP TYPE PISTON ROD	SUB ROD	THREADED TYPE EXTENSION ROD		CLAMP TYPE EXTENSION ROD
TMF10-03-08	-	TM-NUT	-	TM-148	-	-		TMF10-01-06
FLUID END MODULE								
FLUID END MODULE STUDDER				MODULE SEAL SET		STUDS & NUTS SET		
TS-6999-0086-02				TMF10-SEALKIT		TMF10-STUDSET		

TSC does not warrant or represent that any of such information is accurate, or that any products listed are compatible with each other. Any deviations from the OEM products should be verified as to compatibility.

TSC Manufacturing and Supply LLC, 13788 West Road, Suite 100, Houston, Texas 77041, USA!

EMSCO

FB-1300

7 x 12

	LINERS	ZIRCONIA LINERS	LINER GASKETS	PISTONS				PISTON RUBBER
SIZE	PART NUMBER	PART NUMBER	PART NUMBER	URETHANE BONDED	RUBBER BONDED	N'DURALL BONDED	REPLACEABLE RUBBER	PART NUMBER
4"	TS-2145-40HP	TS-07499400	G-800 *	LLU-40-K15	LL-40-K15	HPW-40-K15	I-40-K15	TM-40-KR
4 1/2"	TS-2145-44HP	TS-07499450	G-800 *	LLU-44-B15	LL-44-B15	HPW-44-B15	I-44-B15	TM-44-BR
5"	TS-2145-50HP	TS-07499500	G-800 *	LLU-50-B15	LL-50-B15	HPW-50-B15	I-50-B15	TM-50-BR
5 1/2"	TS-2145-54HP	TS-07499550	G-800 *	LLU-54-B15	LL-54-B15	HPW-54-B15	I-54-B15	TM-54-BR
5 3/4"	TS-2145-56HP	TS-07499575	G-800 *	LLU-56-B15	LL-56-B15	HPW-56-B15	I-56-B15	TM-56-BR
6"	TS-2145-60HP	TS-07499600	G-800 *	LLU-60-B15	LL-60-B15	HPW-60-B15	I-60-B15	TM-60-BR
6 1/4"	TS-2145-62HP	TS-07499625	G-800 *	LLU-62-L15	LL-62-L15	HPW-62-L15	I-62-L15	TM-62-LR
6 1/2"	TS-2145-64HP	TS-07499650	G-800 *	LLU-64-L15	LL-64-L15	HPW-64-L15	I-64-L15	TM-64-LR
6 3/4"	TS-2145-66HP	TS-07499675	G-800 *	LLU-66-L15	LL-66-L15	HPW-66-L15	I-66-L15	TM-66-LR
7"	TS-2145-70HP	TS-07499700	G-800 *	LLU-70-L15	LL-70-L15	HPW-70-L15	I-70-L15	TM-70-LR
VALVES, SEATS, SPRINGS						GASKETS		
	4 WEB DESIGN	3 WEB DESIGN	FULL OPEN (1)	FULL OPEN (2)		PART NUMBER		
VALVE	TS-7-EEF	TS-202482	TS-0985M	TS-7-V1	VALVE COVER GASKET	G-741 *		
SEAT	TS-7-DDB1	TS-202039	TS-1370M	TS-7-S1	CYLINDER HEAD GASKET	G-801 *		
SPRING	TS-5710-115	-	TS-0702M	TS-5710-115L	WEAR PLATE GASKET	G-800 *		
INSERT (Urethane)	TS-7-WI	TS-201PZL106	TS-7-MI	TS-7-FI	EXTENSION ROD SEAL	TS-7602-2132-76		
INSERT (Rubber)	TS-7-WR	TS-202PZL106	-	-	EXTENSION ROD BAFFLE	TS-6316-0093-00		
PULLER HEAD	TS-HP1700-7	TS-RND7	TS-01425	TS-RND7				
PISTON ROD & EXTENSION ROD								
ROD CLAMP	PISTON ROD STUD	PISTON NUT	THREADED TYPE PISTON ROD	CLAMP TYPE PISTON ROD	SUB ROD	THREADED TYPE EXTENSION ROD	CLAMP TYPE EXTENSION ROD	
TMFB6-03-08	-	TM-NUT	-	TM-2145	-	-	TMFB6-01-06	
FLUID END MODULE								
FLUID END MODULE STUDED		MODULE SEAL SET			STUDS & NUTS SET			
TS-6316-0357-00		TMFB6-SEALKIT			TMFB6-STUDSET			

TSC does not warrant or represent that any of such information is accurate, or that any products listed are compatible with each other. Any deviations from the OEM products should be verified as to compatibility.

TSC Manufacturing and Supply LLC, 13788 West Road, Suite 100, Houston, Texas 77041, USA!



EMSCO

FB-1600

7 x 12

	LINERS	ZIRCONIA LINERS	LINER GASKETS	PISTONS				PISTON RUBBER
SIZE	PART NUMBER	PART NUMBER	PART NUMBER	URETHANE BONDED	RUBBER BONDED	N'DURALL BONDED	REPLACEABLE RUBBER	PART NUMBER
4"	TS-2145-40HP	TS-07499400	G-800 *	LLU-40-K15	LL-40-K15	HPW-40-K15	I-40-K15	TM-40-KR
4 1/2"	TS-2145-44HP	TS-07499450	G-800 *	LLU-44-B15	LL-44-B15	HPW-44-B15	I-44-B15	TM-44-BR
5"	TS-2145-50HP	TS-07499500	G-800 *	LLU-50-B15	LL-50-B15	HPW-50-B15	I-50-B15	TM-50-BR
5 1/2"	TS-2145-54HP	TS-07499550	G-800 *	LLU-54-B15	LL-54-B15	HPW-54-B15	I-54-B15	TM-54-BR
5 3/4"	TS-2145-56HP	TS-07499575	G-800 *	LLU-56-B15	LL-56-B15	HPW-56-B15	I-56-B15	TM-56-BR
6"	TS-2145-60HP	TS-07499600	G-800 *	LLU-60-B15	LL-60-B15	HPW-60-B15	I-60-B15	TM-60-BR
6 1/4"	TS-2145-62HP	TS-07499625	G-800 *	LLU-62-L15	LL-62-L15	HPW-62-L15	I-62-L15	TM-62-LR
6 1/2"	TS-2145-64HP	TS-07499650	G-800 *	LLU-64-L15	LL-64-L15	HPW-64-L15	I-64-L15	TM-64-LR
6 3/4"	TS-2145-66HP	TS-07499675	G-800 *	LLU-66-L15	LL-66-L15	HPW-66-L15	I-66-L15	TM-66-LR
7"	TS-2145-70HP	TS-07499700	G-800 *	LLU-70-L15	LL-70-L15	HPW-70-L15	I-70-L15	TM-70-LR
VALVES, SEATS, SPRINGS						GASKETS		
		4 WEB DESIGN	FULL OPEN	FULL OPEN (BONDED)				PART NUMBER
VALVE		TS-7-EEF	TS-7-V1	TS-7-V2B	VALVE COVER GASKET			G-741 *
VALVE (High Temperature)		-	-	TS-7-V2BH	CYLINDER HEAD GASKET			G-801 *
VALVE (High Performance)		-	-	TS-7-V2BP	WEAR PLATE GASKET			G-800 *
SEAT		TS-7-DDB1	TS-7-S1	TS-7-S1	EXTENSION ROD SEAL			TS-7602-2132-76
SPRING		TS-5710-115	TS-5710-115L	TS-5710-115L	EXTENSION ROD BAFFLE			TS-6316-0093-00
INSERT (Urethane)		TS-7-WI	TS-7-FI	-				
INSERT (Rubber)		TS-7-WR	-	-				
PULLER HEAD		TS-HP1700-7	TS-RND7	TS-RND7				
PISTON ROD & EXTENSION ROD								
ROD CLAMP	PISTON ROD STUD	PISTON NUT	THREADED TYPE PISTON ROD	CLAMP TYPE PISTON ROD	SUB ROD	THREADED TYPE EXTENSION ROD		CLAMP TYPE EXTENSION ROD
TMFB6-03-08	-	TM-NUT	-	TM-2145	-	-		TMFB6-01-06
FLUID END MODULE								
FLUID END MODULE STUDDER			MODULE SEAL SET			STUDS & NUTS SET		
TS-6316-0357-00			TMFB6-SEALKIT			TMFB6-STUDSET		

TSC does not warrant or represent that any of such information is accurate, or that any products listed are compatible with each other. Any deviations from the OEM products should be verified as to compatibility.

TSC Manufacturing and Supply LLC, 13788 West Road, Suite 100, Houston, Texas 77041, USA!



EMSCO

FC-1600

7 x 12

	LINERS	ZIRCONIA LINERS	LINER GASKETS	PISTONS				PISTON RUBBER
SIZE	PART NUMBER	PART NUMBER	PART NUMBER	URETHANE BONDED	RUBBER BONDED	N'DURALL BONDED	REPLACEABLE RUBBER	PART NUMBER
4"	TS-2145-40HP	TS-07499400	G-800 *	LLU-40-K15	LL-40-K15	HPW-40-K15	I-40-K15	TM-40-KR
4 1/2"	TS-2145-44HP	TS-07499450	G-800 *	LLU-44-B15	LL-44-B15	HPW-44-B15	I-44-B15	TM-44-BR
5"	TS-2145-50HP	TS-07499500	G-800 *	LLU-50-B15	LL-50-B15	HPW-50-B15	I-50-B15	TM-50-BR
5 1/2"	TS-2145-54HP	TS-07499550	G-800 *	LLU-54-B15	LL-54-B15	HPW-54-B15	I-54-B15	TM-54-BR
5 3/4"	TS-2145-56HP	TS-07499575	G-800 *	LLU-56-B15	LL-56-B15	HPW-56-B15	I-56-B15	TM-56-BR
6"	TS-2145-60HP	TS-07499600	G-800 *	LLU-60-B15	LL-60-B15	HPW-60-B15	I-60-B15	TM-60-BR
6 1/4"	TS-2145-62HP	TS-07499625	G-800 *	LLU-62-L15	LL-62-L15	HPW-62-L15	I-62-L15	TM-62-LR
6 1/2"	TS-2145-64HP	TS-07499650	G-800 *	LLU-64-L15	LL-64-L15	HPW-64-L15	I-64-L15	TM-64-LR
6 3/4"	TS-2145-66HP	TS-07499675	G-800 *	LLU-66-L15	LL-66-L15	HPW-66-L15	I-66-L15	TM-66-LR
7"	TS-2145-70HP	TS-07499700	G-800 *	LLU-70-L15	LL-70-L15	HPW-70-L15	I-70-L15	TM-70-LR
VALVES, SEATS, SPRINGS						GASKETS		
		4 WEB DESIGN		FULL OPEN (BONDED)				PART NUMBER
VALVE		TS-7-EEF		TS-7-V2B		VALVE COVER GASKET		G-741 *
VALVE (High Temperature)		-		TS-7-V2BH		WEAR PLATE GASKET		TS-6316-0565-00
VALVE (High Performance)		-		TS-7-V2BP		EXTENSION ROD SEAL		TS-7602-2132-76
SEAT		TS-7-DDB1		TS-7-S1		EXTENSION ROD BAFFLE		TS-6316-0093-00
SPRING		TS-5710-115		TS-5710-115L				
INSERT (Urethane)		TS-7-WI		-				
INSERT (Rubber)		TS-7-WR		-				
PULLER HEAD		TS-HP1700-7		TS-RND7				
PISTON ROD & EXTENSION ROD								
ROD CLAMP	PISTON NUT	PISTON SUB ROD FRONT	PISTON SUB ROD BACK	PISTON ROD STUD	PISTON ROD 1-PIECE			CLAMP TYPE EXTENSION ROD
TMFB6-03-08	TM-NUT	TS-6278-25	TS-6284-1	TS-1290-2	TM-2145			TMFB6-01-06
FLUID END MODULE								
SUCTION MODULE STUDD	DISCHARGE MODULE STUDD		MODULE SEAL SET		STUDS & NUTS SET			
TS-6316-0611-00	TS-6316-0610-01		TMFC16-SEALKIT		TMFC16-STUDSETS TMFC16-STUDSETD			

TSC does not warrant or represent that any of such information is accurate, or that any products listed are compatible with each other. Any deviations from the OEM products should be verified as to compatibility.

TSC Manufacturing and Supply LLC, 13788 West Road, Suite 100, Houston, Texas 77041, USA!



EMSCO

FC-2200

8 x 15

LINERS		ZIRCONIA LINERS	LINER GASKETS	PISTONS				PISTON RUBBER
SIZE	PART NUMBER	PART NUMBER	PART NUMBER	URETHANE BONDED	RUBBER BONDED	N'DURALL BONDED	REPLACEABLE RUBBER	PART NUMBER
5"	TS-2200-50HP	TS-07551500	G-882 *	LLU-50-B15	LL-50-B15	HPW-50-B15	I-50-B15	TM-50-BR
5 1/2"	TS-2200-54HP	TS-07551550	G-882 *	LLU-54-B15	LL-54-B15	HPW-54-B15	I-54-B15	TM-54-BR
6"	TS-2200-60HP	TS-07551600	G-882 *	LLU-60-B15	LL-60-B15	HPW-60-B15	I-60-B15	TM-60-BR
6 1/4"	TS-2200-62HP	TS-07551625	G-882 *	LLU-62-L15	LL-62-L15	HPW-62-L15	I-62-L15	TM-62-LR
6 1/2"	TS-2200-64HP	TS-07551650	G-882 *	LLU-64-L15	LL-64-L15	HPW-64-L15	I-64-L15	TM-64-LR
7"	TS-2200-70HP	TS-07551700	G-882 *	LLU-70-L15	LL-70-L15	HPW-70-L15	I-70-L15	TM-70-LR
7 1/2"	TS-2200-74HP	TS-07551750	G-882 *	LLU-74-L15	LL-74-L15	HPW-74-L15	I-74-L15	TM-74-LR
8"	TS-2200-80HP	TS-07551800	G-882 *	LLU-80-L15	LL-80-L15	HPW-80-L15	I-80-L15	TM-80-LR
VALVES, SEATS, SPRINGS						GASKETS		
		4 WEB DESIGN		FULL OPEN (BONDED)				PART NUMBER
VALVE		TS-U5B-LP		TS-8-V2B		VALVE COVER GASKET		TS-6323-0125-00
VALVE (High Temperature)		-		TS-8-V2BH		WEAR PLATE GASKET		TS-6323-0127-00
VALVE (High Performance)		-		TS-8-V2BP		EXTENSION ROD SEAL		TS-7602-2160-09
SEAT		TS-8-DDB2		TS-8-S2		EXTENSION ROD BAFFLE		TS-6323-0129-00
SPRING		TS-5710-30		TS-5710-115L				
INSERT (Urethane)		TS-8-WI		-				
INSERT (Rubber)		TS-8-WR		-				
PULLER HEAD		TS-HP1700-8						
PISTON ROD & EXTENSION ROD								
ROD CLAMP	PISTON ROD STUD	PISTON NUT	THREADED TYPE PISTON ROD	CLAMP TYPE PISTON ROD	SUB ROD	THREADED TYPE EXTENSION ROD		CLAMP TYPE EXTENSION ROD
TS-6323-0058-20	-	TM-15NUT	-	TS-6323-0117-20	-	-		TS-6323-0059-10
FLUID END MODULE								
SUCTION MODULE STUDD		DISCHARGE MODULE STUDD		MODULE SEAL SET		STUDS 67984961& NUTS SET		
TS-6323-0109-00		TS-6323-0108-00		TMFC22-SEALKIT		TMFC22-STUDSETS TMFC22-STUDSETD		

TSC does not warrant or represent that any of such information is accurate, or that any products listed are compatible with each other. Any deviations from the OEM products should be verified as to compatibility.

TSC Manufacturing and Supply LLC, 13788 West Road, Suite 100, Houston, Texas 77041, USA!



EWCO

W-440-LP

4-1/2 x 6

LINERS		LINER GASKETS	PISTONS				PISTON RUBBER
SIZE	PART NUMBER	PART NUMBER	URETHANE BONDED	RUBBER BONDED	N'DURALL BONDED	REPLACEABLE RUBBER	PART NUMBER
3-1/2"	TS-4350-34HP	G-829RF-2	LLU-34-K10	LL-34-K10	HPW-34-K10	I-34-K10	TM-34-KR
4"	TS-4350-40HP	G-829RF-2	LLU-40-K10	LL-40-K10	HPW-40-K10	I-40-K10	TM-40-KR
4-1/2"	TS-4350-44HP	G-829RF-2	LLU-44-B10	LL-44-B10	HPW-44-B10	I-44-B10	TM-44-BR
VALVES, SEATS, SPRINGS					GASKETS		
	FULL OPEN					PART NUMBER	
VALVE	TS-4-V7				VALVE COVER	G-826R	
SEAT	TS-4-S5				CYLINDER HEAD	G-830RF	
SPRING	TS-5710-38				EXTENSION ROD SEAL	TS-ES-209	
INSERT (Urethane)	TS-4-FIA				EXTENSION ROD BAFFLE	-	
INSERT (Rubber)	-						
PISTON ROD & EXTENSION ROD							
ROD CLAMP	PISTON ROD STUD	PISTON NUT	THREADED TYPE PISTON ROD	CLAMP TYPE PISTON ROD	SUB ROD	THREADED TYPE EXTENSION ROD	CLAMP TYPE EXTENSION ROD
TMW440-03-08	-	TM-NUT1	-	TM-440	-	-	TMW440-01-06
FLUID END MODULE							
MODULE STUDDED			MODULE SEAL SET		STUDS & NUTS SET		
TS-B-155136-S			-		TMW440-STUDSET		

TSC does not warrant or represent that any of such information is accurate, or that any products listed are compatible with each other. Any deviations from the OEM products should be verified as to compatibility.

TSC Manufacturing and Supply LLC, 13788 West Road, Suite 100, Houston, Texas 77041, USA!

EWCO

W-446

6 x 6

LINERS		LINER GASKETS	PISTONS				PISTON RUBBER
SIZE	PART NUMBER	PART NUMBER	URETHANE BONDED	RUBBER BONDED	N'DURALL BONDED	REPLACEABLE RUBBER	PART NUMBER
3-1/2"	TS-5203-34HP	G-829RF	LLU-34-K15	LL-34-K15	HPW-34-K15	I-34-K15	TM-34-KR
4"	TS-5203-40HP	G-829RF	LLU-40-K15	LL-40-K15	HPW-40-K15	I-40-K15	TM-40-KR
4-1/2"	TS-5203-44HP	G-829RF	LLU-44-B15	LL-44-B15	HPW-44-B15	I-44-B15	TM-44-BR
5"	TS-5203-50HP	G-829RF	LLU-50-B15	LL-50-B15	HPW-50-B15	I-50-B15	TM-50-BR
5-1/2"	TS-5203-54HP	G-829RF	LLU-54-B15	LL-54-B15	HPW-54-B15	I-54-B15	TM-54-BR
6"	TS-5203-60HP	G-829RF	LLU-60-B15	LL-60-B15	HPW-60-B15	I-60-B15	TM-60-BR
VALVES, SEATS, SPRINGS					GASKETS		
	FULL OPEN					PART NUMBER	
VALVE	TS-4-V7				VALVE COVER	G-826R	
SEAT	TS-4-S5				CYLINDER HEAD	G-830RF	
SPRING	TS-5710-38				EXTENSION ROD SEAL	-	
INSERT (Urethane)	TS-4-FIA				EXTENSION ROD BAFFLE	-	
INSERT (Rubber)	-						
PISTON ROD & EXTENSION ROD							
ROD CLAMP	PISTON ROD STUD	PISTON NUT	THREADED TYPE PISTON ROD	CLAMP TYPE PISTON ROD	SUB ROD	THREADED TYPE EXTENSION ROD	CLAMP TYPE EXTENSION ROD
TMW440-03-08	-	TM-NUT	-	TM-446	-	-	TMW440-01-06
FLUID END MODULE							
MODULE STUDDED			MODULE SEAL SET		STUDS & NUTS SET		
-			-		-		

TSC does not warrant or represent that any of such information is accurate, or that any products listed are compatible with each other. Any deviations from the OEM products should be verified as to compatibility.

TSC Manufacturing and Supply LLC, 13788 West Road, Suite 100, Houston, Texas 77041, USA!



EWECO

E-447

6 x 7

LINERS		LINER GASKETS	PISTONS				PISTON RUBBER
SIZE	PART NUMBER	PART NUMBER	URETHANE BONDED	RUBBER BONDED	N'DURALL BONDED	REPLACEABLE RUBBER	PART NUMBER
4"	TS-E447-40HP	G-6316 *	LLU-40-B15	LL-40-B15	HPW-40-B15	I-40-B15	TM-40-BR
4-1/2"	TS-E447-44HP	G-6316 *	LLU-44-B15	LL-44-B15	HPW-44-B15	I-44-B15	TM-44-BR
5"	TS-E447-50HP	G-6316 *	LLU-50-B15	LL-50-B15	HPW-50-B15	I-50-B15	TM-50-BR
5-1/2"	TS-E447-54HP	G-6316 *	LLU-54-B15	LL-54-B15	HPW-54-B15	I-54-B15	TM-54-BR
6"	TS-E447-60HP	G-6316 *	LLU-60-B15	LL-60-B15	HPW-60-B15	I-60-B15	TM-60-BR
6-1/2"	TS-E447-64HP	G-6316 *	LLU-64-L15	LL-64-L15	HPW-64-L15	I-64-L15	TM-64-LR
VALVES, SEATS, SPRINGS					GASKETS		
	FULL OPEN						PART NUMBER
VALVE	TS-5-V1				VALVE COVER		G-826 *
SEAT	TS-5-S1				CYLINDER HEAD		G-830 *
SPRING	TS-5710-111				EXTENSION ROD SEAL		-
INSERT (Urethane)	TS-5-FI				EXTENSION ROD BAFFLE		-
INSERT (Rubber)							
PULLER HEAD	TS-01328						
PISTON ROD & EXTENSION ROD							
ROD CLAMP	PISTON ROD STUD	PISTON NUT	THREADED TYPE PISTON ROD	CLAMP TYPE PISTON ROD	SUB ROD	THREADED TYPE EXTENSION ROD	CLAMP TYPE EXTENSION ROD
-	-	TM-NUT	-	-	-	-	-
FLUID END MODULE							
SUCTION MODULE STUDDER		DISCHARGE MODULE STUDDER		MODULE SEAL SET		STUDS & NUTS SET	
-		-		-		-	

TSC does not warrant or represent that any of such information is accurate, or that any products listed are compatible with each other. Any deviations from the OEM products should be verified as to compatibility.

TSC Manufacturing and Supply LLC, 13788 West Road, Suite 100, Houston, Texas 77041, USA!



GARDNER DENVER

TEE-5

4-1/2 × 4-7/8

		LINERS		LINER GASKETS	PISTONS			PISTON RUBBER
SIZE	PART NUMBER	PART NUMBER	URETHANE BONDED	RUBBER BONDED	N'DURALL BONDED	REPLACEABLE RUBBER	PART NUMBER	
3"	TS-1190-30HP	G-691 *	-	-	-	I-30-A10	TM-30-AR	
3-1/2"	TS-1190-34HP	G-691 *	-	-	-	I-34-K10	TM-34-KR	
4"	TS-1190-40HP	G-691 *	LLU-40-K10	LL-40-K10	HPW-40-K10	I-40-K10	TM-40-KR	
4-1/2"	TS-1190-44CR	G-691 *	LLU-44-B10	LL-44-B10	HPW-44-B10	I-44-B10	TM-44-BR	
VALVES, SEATS, SPRINGS					GASKETS			
	FULL OPEN						PART NUMBER	
VALVE	TS-2-V3					VALVE COVER GASKET	TS-25AL20	
SEAT	TS-2-S9					CYLINDER HEAD GASKET	-	
SPRING	TS-5710-03					WEAR PLATE GASKET	-	
INSERT (Urethane)	TS-2-FIA					EXTENSION ROD SEAL	TS-60DD99	
CAGE	TS-2-C1					EXTENSION ROD BAFFLE	-	
PULLER HEAD	TS-01235							
PISTON ROD & EXTENSION ROD								
ROD CLAMP	PISTON ROD STUD	PISTON NUT	THREADED TYPE PISTON ROD	CLAMP TYPE PISTON ROD	SUB ROD	THREADED TYPE EXTENSION ROD	CLAMP TYPE EXTENSION ROD	
TMTEE-03-08	-	TM-NUT1	-	TM-TEE5	-	-	TMTEE-01-06	
FLUID END MODULE								
FLUID END MODULE STUDED				MODULE SEAL SET		STUDS & NUTS SET		
-				-		-		

TSC does not warrant or represent that any of such information is accurate, or that any products listed are compatible with each other. Any deviations from the OEM products should be verified as to compatibility.

TSC Manufacturing and Supply LLC, 13788 West Road, Suite 100, Houston, Texas 77041, USA!



GARDNER DENVER

PAH

5 x 8

LINERS		LINER GASKETS	PISTONS				PISTON RUBBER
SIZE	PART NUMBER	PART NUMBER	URETHANE BONDED	RUBBER BONDED	N'DURALL BONDED	REPLACEABLE RUBBER	PART NUMBER
3-1/2"	TS-0189-34HP	G-266 *	-	-	-	I-34-K15	TM-34-KR
4"	TS-0189-40HP	G-266 *	LLU-40-K15	LL-40-K15	HPW-40-K15	I-40-K15	TM-40-KR
4-1/2"	TS-0189-44Cr	G-266 *	LLU-44-B15	LL-44-B15	HPW-44-B15	I-44-B15	TM-44-BR
BIG OD							
4-1/2"	TS-0193-44HP	G-266 *	LLU-44-B15	LL-44-B15	HPW-44-B15	I-44-B15	TM-44-BR
5"	TS-0193-50Cr	G-266 *	LLU-50-B15	LL-50-B15	HPW-50-B15	I-50-B15	TM-50-BR
VALVES, SEATS, SPRINGS					GASKETS		
	3 WEB DESIGN		FULL OPEN				PART NUMBER
VALVE	TS-PJ-482A		TS-4-V1		VALVE COVER GASKET		G-799 *
SEAT	TS-PJ-451		TS-4-S5		CYLINDER HEAD GASKET		G-799 *
SPRING	TS-5710-33		TS-5710-33		WEAR PLATE GASKET		-
INSERT (Urethane)	TS-PJ-452		TS-4-FI		EXTENSION ROD SEAL		TS-2011872
INSERT (Rubber)	-		-		EXTENSION ROD BAFFLE		TS-5FXK840
PISTON ROD & EXTENSION ROD							
ROD CLAMP	PISTON ROD STUD	PISTON NUT	THREADED TYPE PISTON ROD	CLAMP TYPE PISTON ROD	SUB ROD	THREADED TYPE EXTENSION ROD	CLAMP TYPE EXTENSION ROD
TMPAH-03-08	-	TM-NUT	-	TM-193	-	-	TMPZ8-01-06
FLUID END MODULE							
FLUID END MODULE STUDDED		MODULE SEAL SET			STUDS & NUTS SET		
TS-200PJH029B		TMPAH-SEALKIT			TMPAH-STUDSET		

TSC does not warrant or represent that any of such information is accurate, or that any products listed are compatible with each other. Any deviations from the OEM products should be verified as to compatibility.

TSC Manufacturing and Supply LLC, 13788 West Road, Suite 100, Houston, Texas 77041, USA!



GARDNER DENVER

PZ-7

7 x 7

	LINERS	ZIRCONIA LINERS	LINER GASKETS	PISTONS				PISTON RUBBER
SIZE	PART NUMBER	PART NUMBER	PART NUMBER	URETHANE BONDED	RUBBER BONDED	N'DURALL BONDED	REPLACEABLE RUBBER	PART NUMBER
4"	TS-1192-40HP	TS-07493091	G-692 *	LLU-40-K15	LL-40-K15	HPW-40-K15	I-40-K15	TM-40-KR
4 1/2"	TS-1192-44HP	TS-07493089	G-692 *	LLU-44-B15	LL-44-B15	HPW-44-B15	I-44-B15	TM-44-BR
5"	TS-1192-50HP	TS-07493087	G-692 *	LLU-50-B15	LL-50-B15	HPW-50-B15	I-50-B15	TM-50-BR
5 1/2"	TS-1192-54HP	TS-07493085	G-692 *	LLU-54-B15	LL-54-B15	HPW-54-B15	I-54-B15	TM-54-BR
5 3/4"	TS-1192-56HP	TS-07493084	G-692 *	LLU-56-B15	LL-56-B15	HPW-56-B15	I-56-B15	TM-56-BR
6"	TS-1192-60HP	TS-07493083	G-692 *	LLU-60-B15	LL-60-B15	HPW-60-B15	I-60-B15	TM-60-BR
6 1/4"	TS-1192-62HP	TS-07493082	G-692 *	LLU-62-L15	LL-62-L15	HPW-62-L15	I-62-L15	TM-62-LR
6 1/2"	TS-1192-64HP	TS-07493081	G-692 *	LLU-64-L15	LL-64-L15	HPW-64-L15	I-64-L15	TM-64-LR
6 3/4"	TS-1192-66HP	TS-07493080	G-692 *	LLU-66-L15	LL-66-L15	HPW-66-L15	I-66-L15	TM-66-LR
7"	TS-1192-70Cr		G-692 *	LLU-70-L15	LL-70-L15	HPW-70-L15	I-70-L15	TM-70-LR
VALVES, SEATS, SPRINGS						GASKETS		
		4 WEB DESIGN	FULL OPEN	FULL OPEN (BONDED)				PART NUMBER
VALVE		TS-7-EEF	TS-7-V1	TS-7-V2B	VALVE COVER GASKET			G-749 *
VALVE (High Temperature)		-	-	TS-7-V2BH	CYLINDER HEAD GASKET			G-749 *
VALVE (High Performance)		-	-	TS-7-V2BP	WEAR PLATE GASKET			G-758*
SEAT		TS-7-DDB1	TS-7-S1	TS-7-S1	EXTENSION ROD SEAL			TS-2011872
SPRING		TS-5710-115	TS-5710-115L	TS-5710-115L	EXTENSION ROD BAFFLE			TS-2FXK840
INSERT (Urethane)		TS-7-WI	TS-7-FI	-				
INSERT (Rubber)		TS-7-WR	-	-				
PULLER HEAD		TS-HP1700-7	TS-RND7	TS-RND7				
PISTON ROD & EXTENSION ROD								
ROD CLAMP	PISTON ROD STUD	PISTON NUT	THREADED TYPE PISTON ROD	CLAMP TYPE PISTON ROD	SUB ROD	THREADED TYPE EXTENSION ROD		CLAMP TYPE EXTENSION ROD
TMPZ9-03-08	-	TM-NUT	TM-196	TM-192	-	TMPZ7-01-06T		TMPZ7-01-06
FLUID END MODULE								
FLUID END MODULE STUDDED				MODULE SEAL SET		STUDS & NUTS SET		
TS-205PZL029D				TMPZ9-SEALKIT		TMPZ9-STUDSET		

TSC does not warrant or represent that any of such information is accurate, or that any products listed are compatible with each other. Any deviations from the OEM products should be verified as to compatibility.

TSC Manufacturing and Supply LLC, 13788 West Road, Suite 100, Houston, Texas 77041, USA!



GARDNER DENVER

PZ-8

7 x 8

	LINERS	ZIRCONIA LINERS	LINER GASKETS	PISTONS				PISTON RUBBER
SIZE	PART NUMBER	PART NUMBER	PART NUMBER	URETHANE BONDED	RUBBER BONDED	N'DURALL BONDED	REPLACEABLE RUBBER	PART NUMBER
4"	TS-1191-40HP	TS-07493400	G-692 *	LLU-40-K15	LL-40-K15	HPW-40-K15	I-40-K15	TM-40-KR
4 1/2"	TS-1191-44HP	TS-07493450	G-692 *	LLU-44-B15	LL-44-B15	HPW-44-B15	I-44-B15	TM-44-BR
5"	TS-1191-50HP	TS-07493500	G-692 *	LLU-50-B15	LL-50-B15	HPW-50-B15	I-50-B15	TM-50-BR
5 1/2"	TS-1191-54HP	TS-07493550	G-692 *	LLU-54-B15	LL-54-B15	HPW-54-B15	I-54-B15	TM-54-BR
5 3/4"	TS-1191-56HP	TS-07493575	G-692 *	LLU-56-B15	LL-56-B15	HPW-56-B15	I-56-B15	TM-56-BR
6"	TS-1191-60HP	TS-07493600	G-692 *	LLU-60-B15	LL-60-B15	HPW-60-B15	I-60-B15	TM-60-BR
6 1/4"	TS-1191-62HP	TS-07493625	G-692 *	LLU-62-L15	LL-62-L15	HPW-62-L15	I-62-L15	TM-62-LR
6 1/2"	TS-1191-64HP	TS-07493650	G-692 *	LLU-64-L15	LL-64-L15	HPW-64-L15	I-64-L15	TM-64-LR
6 3/4"	TS-1191-66HP	TS-07493675	G-692 *	LLU-66-L15	LL-66-L15	HPW-66-L15	I-66-L15	TM-66-LR
7"	TS-1191-70Cr		G-692 *	LLU-70-L15	LL-70-L15	HPW-70-L15	I-70-L15	TM-70-LR
VALVES, SEATS, SPRINGS						GASKETS		
		4 WEB DESIGN	FULL OPEN	FULL OPEN (BONDED)				PART NUMBER
VALVE		TS-7-EEF	TS-7-V1	TS-7-V2B		VALVE COVER GASKET		G-749 *
VALVE (High Temperature)		-	-	TS-7-V2BH		CYLINDER HEAD GASKET		G-749 *
VALVE (High Performance)		-	-	TS-7-V2BP		WEAR PLATE GASKET		G-758*
SEAT		TS-7-DDB1	TS-7-S1	TS-7-S1		EXTENSION ROD SEAL		TS-2011872
SPRING		TS-5710-115	TS-5710-115L	TS-5710-115L		EXTENSION ROD BAFFLE		TS-PZ840
INSERT (Urethane)		TS-7-WI	TS-7-FI	-				
INSERT (Rubber)		TS-7-WR	-	-				
PULLER HEAD		TS-HP1700-7	TS-RND7	TS-RND7				
PISTON ROD & EXTENSION ROD								
ROD CLAMP	PISTON ROD STUD	PISTON NUT	THREADED TYPE PISTON ROD	CLAMP TYPE PISTON ROD	SUB ROD	THREADED TYPE EXTENSION ROD		CLAMP TYPE EXTENSION ROD
TMPZ9-03-08	-	TM-NUT	TM-202	TM-191	-	TMPZ7-01-06T		TMPZ8-01-06
FLUID END MODULE								
FLUID END MODULE STUDDED				MODULE SEAL SET		STUDS & NUTS SET		
TS-205PZL029D				TMPZ9-SEALKIT		TMPZ9-STUDSET		

TSC does not warrant or represent that any of such information is accurate, or that any products listed are compatible with each other. Any deviations from the OEM products should be verified as to compatibility.

TSC Manufacturing and Supply LLC, 13788 West Road, Suite 100, Houston, Texas 77041, USA!



GARDNER DENVER

PZ-9

7 x 9

LINERS		ZIRCONIA LINERS	LINER GASKETS	PISTONS				PISTON RUBBER
SIZE	PART NUMBER	PART NUMBER	PART NUMBER	URETHANE BONDED	RUBBER BONDED	N'DURALL BONDED	REPLACEABLE RUBBER	PART NUMBER
4"	TS-1191-40HP	TS-07493400	G-692 *	LLU-40-K15	LL-40-K15	HPW-40-K15	I-40-K15	TM-40-KR
4 1/2"	TS-1191-44HP	TS-07493450	G-692 *	LLU-44-B15	LL-44-B15	HPW-44-B15	I-44-B15	TM-44-BR
5"	TS-1191-50HP	TS-07493500	G-692 *	LLU-50-B15	LL-50-B15	HPW-50-B15	I-50-B15	TM-50-BR
5 1/2"	TS-1191-54HP	TS-07493550	G-692 *	LLU-54-B15	LL-54-B15	HPW-54-B15	I-54-B15	TM-54-BR
5 3/4"	TS-1191-56HP	TS-07493575	G-692 *	LLU-56-B15	LL-56-B15	HPW-56-B15	I-56-B15	TM-56-BR
6"	TS-1191-60HP	TS-07493600	G-692 *	LLU-60-B15	LL-60-B15	HPW-60-B15	I-60-B15	TM-60-BR
6 1/4"	TS-1191-62HP	TS-07493625	G-692 *	LLU-62-L15	LL-62-L15	HPW-62-L15	I-62-L15	TM-62-LR
6 1/2"	TS-1191-64HP	TS-07493650	G-692 *	LLU-64-L15	LL-64-L15	HPW-64-L15	I-64-L15	TM-64-LR
6 3/4"	TS-1191-66HP	TS-07493675	G-692 *	LLU-66-L15	LL-66-L15	HPW-66-L15	I-66-L15	TM-66-LR
7"	TS-1191-70Cr		G-692 *	LLU-70-L15	LL-70-L15	HPW-70-L15	I-70-L15	TM-70-LR
VALVES, SEATS, SPRINGS						GASKETS		
		4 WEB DESIGN	FULL OPEN	FULL OPEN (BONDED)		PART NUMBER		
VALVE		TS-7-EEF	TS-7-V1	TS-7-V2B	VALVE COVER GASKET	G-749 *		
VALVE (High Temperature)		-	-	TS-7-V2BH	CYLINDER HEAD GASKET	G-749 *		
VALVE (High Performance)		-	-	TS-7-V2BP	WEAR PLATE GASKET	G-758 *		
SEAT		TS-7-DDB1	TS-7-S1	TS-7-S1	EXTENSION ROD SEAL	TS-2011872		
SPRING		TS-5710-115	TS-5710-115L	TS-5710-115L	EXTENSION ROD BAFFLE	TS-PZ840		
INSERT (Urethane)		TS-7-WI	TS-7-FI	-				
INSERT (Rubber)		TS-7-WR	-	-				
PULLER HEAD		TS-HP1700-7	TS-RND7	TS-RND7				
PISTON ROD & EXTENSION ROD								
ROD CLAMP	PISTON ROD STUD	PISTON NUT	THREADED TYPE PISTON ROD	CLAMP TYPE PISTON ROD	SUB ROD	THREADED TYPE EXTENSION ROD	CLAMP TYPE EXTENSION ROD	
TMPZ9-03-08	-	TM-NUT	TM-202	TM-191	-	TMPZ9-01-06T	TMPZ9-01-06	
FLUID END MODULE								
FLUID END MODULE STUDDED				MODULE SEAL SET		STUDS & NUTS SET		
TS-205PZL029D				TMPZ9-SEALKIT		TMPZ9-STUDSET		

TSC does not warrant or represent that any of such information is accurate, or that any products listed are compatible with each other. Any deviations from the OEM products should be verified as to compatibility.

TSC Manufacturing and Supply LLC, 13788 West Road, Suite 100, Houston, Texas 77041, USA!



GARDNER DENVER

PZ-10

7 x 10

	LINERS	ZIRCONIA LINERS	LINER GASKETS	PISTONS				PISTON RUBBER
SIZE	PART NUMBER	PART NUMBER	PART NUMBER	URETHANE BONDED	RUBBER BONDED	N'DURALL BONDED	REPLACEABLE RUBBER	PART NUMBER
4"	TS-0197-40HP	TS-07496400	G-692 *	LLU-40-K15	LL-40-K15	HPW-40-K15	I-40-K15	TM-40-KR
4 1/2"	TS-0197-44HP	TS-07496450	G-692 *	LLU-44-B15	LL-44-B15	HPW-44-B15	I-44-B15	TM-44-BR
5"	TS-0197-50HP	TS-07496500	G-692 *	LLU-50-B15	LL-50-B15	HPW-50-B15	I-50-B15	TM-50-BR
5 1/2"	TS-0197-54HP	TS-07496550	G-692 *	LLU-54-B15	LL-54-B15	HPW-54-B15	I-54-B15	TM-54-BR
5 3/4"	TS-0197-56HP	TS-07496575	G-692 *	LLU-56-B15	LL-56-B15	HPW-56-B15	I-56-B15	TM-56-BR
6"	TS-0197-60HP	TS-07496600	G-692 *	LLU-60-B15	LL-60-B15	HPW-60-B15	I-60-B15	TM-60-BR
6 1/4"	TS-0197-62HP	TS-07496625	G-692 *	LLU-62-L15	LL-62-L15	HPW-62-L15	I-62-L15	TM-62-LR
6 1/2"	TS-0197-64HP	TS-07496650	G-692 *	LLU-64-L15	LL-64-L15	HPW-64-L15	I-64-L15	TM-64-LR
6 3/4"	TS-0197-66HP	TS-07496675	G-692 *	LLU-66-L15	LL-66-L15	HPW-66-L15	I-66-L15	TM-66-LR
7"	TS-0197-70HP	TS-07496700	G-692 *	LLU-70-L15	LL-70-L15	HPW-70-L15	I-70-L15	TM-70-LR
VALVES, SEATS, SPRINGS						GASKETS		
		4 WEB DESIGN	FULL OPEN	FULL OPEN (BONDED)				PART NUMBER
VALVE		TS-7-EEF	TS-7-V1	TS-7-V2B	VALVE COVER GASKET			G-798 *
VALVE (High Temperature)		-	-	TS-7-V2BH	CYLINDER HEAD GASKET			G-798 *
VALVE (High Performance)		-	-	TS-7-V2BP	WEAR PLATE GASKET			G-758 *
SEAT		TS-7-DDB1	TS-7-S1	TS-7-S1	EXTENSION ROD SEAL			TS-2011872
SPRING		TS-5710-115	TS-5710-115L	TS-5710-115L	EXTENSION ROD BAFFLE			TS-PZ840
INSERT (Urethane)		TS-7-WI	TS-7-FI	-				
INSERT (Rubber)		TS-7-WR	-	-				
PULLER HEAD		TS-HP1700-7	TS-RND7	TS-RND7				
PISTON ROD & EXTENSION ROD								
ROD CLAMP	PISTON ROD STUD	PISTON NUT	THREADED TYPE PISTON ROD	CLAMP TYPE PISTON ROD	SUB ROD	THREADED TYPE EXTENSION ROD		CLAMP TYPE EXTENSION ROD
TMPZ11-03-08	-	TM-NUT	TM-201	TM-200	-	TMPZ9-01-06T		TMPZ11-01-06
FLUID END MODULE								
FLUID END MODULE STUDD			MODULE SEAL SET		STUDS & NUTS SET			
TS-202PZL029B			TMPZ11-SEALKIT		TMPZ11-STUDSET			

TSC does not warrant or represent that any of such information is accurate, or that any products listed are compatible with each other. Any deviations from the OEM products should be verified as to compatibility.

TSC Manufacturing and Supply LLC, 13788 West Road, Suite 100, Houston, Texas 77041, USA!



GARDNER DENVER

PZ-11

7 x 11

	LINERS	ZIRCONIA LINERS	LINER GASKETS	PISTONS				PISTON RUBBER
SIZE	PART NUMBER	PART NUMBER	PART NUMBER	URETHANE BONDED	RUBBER BONDED	N'DURALL BONDED	REPLACEABLE RUBBER	PART NUMBER
4"	TS-0197-40HP	TS-07496400	G-692 *	LLU-40-K15	LL-40-K15	HPW-40-K15	I-40-K15	TM-40-KR
4 1/2"	TS-0197-44HP	TS-07496450	G-692 *	LLU-44-B15	LL-44-B15	HPW-44-B15	I-44-B15	TM-44-BR
5"	TS-0197-50HP	TS-07496500	G-692 *	LLU-50-B15	LL-50-B15	HPW-50-B15	I-50-B15	TM-50-BR
5 1/2"	TS-0197-54HP	TS-07496550	G-692 *	LLU-54-B15	LL-54-B15	HPW-54-B15	I-54-B15	TM-54-BR
5 3/4"	TS-0197-56HP	TS-07496575	G-692 *	LLU-56-B15	LL-56-B15	HPW-56-B15	I-56-B15	TM-56-BR
6"	TS-0197-60HP	TS-07496600	G-692 *	LLU-60-B15	LL-60-B15	HPW-60-B15	I-60-B15	TM-60-BR
6 1/4"	TS-0197-62HP	TS-07496625	G-692 *	LLU-62-L15	LL-62-L15	HPW-62-L15	I-62-L15	TM-62-LR
6 1/2"	TS-0197-64HP	TS-07496650	G-692 *	LLU-64-L15	LL-64-L15	HPW-64-L15	I-64-L15	TM-64-LR
6 3/4"	TS-0197-66HP	TS-07496675	G-692 *	LLU-66-L15	LL-66-L15	HPW-66-L15	I-66-L15	TM-66-LR
7"	TS-0197-70HP	TS-07496700	G-692 *	LLU-70-L15	LL-70-L15	HPW-70-L15	I-70-L15	TM-70-LR
VALVES, SEATS, SPRINGS						GASKETS		
		4 WEB DESIGN	FULL OPEN	FULL OPEN (BONDED)				PART NUMBER
VALVE		TS-7-EEF	TS-7-V1	TS-7-V2B		VALVE COVER GASKET		G-798 *
VALVE (High Temperature)		-	-	TS-7-V2BH		CYLINDER HEAD GASKET		G-798 *
VALVE (High Performance)		-	-	TS-7-V2BP		WEAR PLATE GASKET		G-758 *
SEAT		TS-7-DDB1	TS-7-S1	TS-7-S1		EXTENSION ROD SEAL		TS-2011872
SPRING		TS-5710-115	TS-5710-115L	TS-5710-115L		EXTENSION ROD BAFFLE		TS-PZ840
INSERT (Urethane)		TS-7-WI	TS-7-FI	-				
INSERT (Rubber)		TS-7-WR	-	-				
PULLER HEAD		TS-HP1700-7	TS-RND7	TS-RND7				
PISTON ROD & EXTENSION ROD								
ROD CLAMP	PISTON ROD STUD	PISTON NUT	THREADED TYPE PISTON ROD	CLAMP TYPE PISTON ROD	SUB ROD	THREADED TYPE EXTENSION ROD		CLAMP TYPE EXTENSION ROD
TMPZ11-03-08	-	TM-NUT	TM-201	TM-200	-	TMPZ9-01-06T		TMPZ11-01-06
FLUID END MODULE								
FLUID END MODULE STUDD				MODULE SEAL SET		STUDS & NUTS SET		
TS-202PZL029B				TMPZ11-SEALKIT		TMPZ11-STUDSET		

TSC does not warrant or represent that any of such information is accurate, or that any products listed are compatible with each other. Any deviations from the OEM products should be verified as to compatibility.

TSC Manufacturing and Supply LLC, 13788 West Road, Suite 100, Houston, Texas 77041, USA!



GARDNER DENVER

PZ-11 HP(PZL) (7500 PSI)

7 x 11

	LINERS	ZIRCONIA LINERS	LINER GASKETS	PISTONS				PISTON RUBBER
SIZE	PART NUMBER	PART NUMBER	PART NUMBER	URETHANE BONDED	RUBBER BONDED	N'DURALL BONDED	REPLACEABLE RUBBER	PART NUMBER
4 1/2"	TS-1197-44HP	TS-07561450	G-756 *	LLU-44-B15	LL-44-B15	HPW-44-B15	I-44-B15	TM-44-BR
5"	TS-1197-50HP	TS-07561500	G-756 *	LLU-50-B15	LL-50-B15	HPW-50-B15	I-50-B15	TM-50-BR
5 1/2"	TS-1197-54HP	TS-07561550	G-756 *	LLU-54-B15	LL-54-B15	HPW-54-B15	I-54-B15	TM-54-BR
5 3/4"	TS-1197-56HP	TS-07561575	G-756 *	LLU-56-B15	LL-56-B15	HPW-56-B15	I-56-B15	TM-56-BR
6"	TS-1197-60HP	TS-07561600	G-756 *	LLU-60-B15	LL-60-B15	HPW-60-B15	I-60-B15	TM-60-BR
6 1/4"	TS-1197-62HP	TS-07561625	G-757 *	LLU-62-L15	LL-62-L15	HPW-62-L15	I-62-L15	TM-62-LR
6 1/2"	TS-1197-64HP	TS-07561650	G-757 *	LLU-64-L15	LL-64-L15	HPW-64-L15	I-64-L15	TM-64-LR
6 3/4"	TS-1197-66HP	TS-07561675	G-757 *	LLU-66-L15	LL-66-L15	HPW-66-L15	I-66-L15	TM-66-LR
7"	TS-1197-70HP	TS-07561700	G-757 *	LLU-70-L15	LL-70-L15	HPW-70-L15	I-70-L15	TM-70-LR
VALVES, SEATS, SPRINGS						GASKETS		
		4 WEB DESIGN		FULL OPEN (BONDED)				PART NUMBER
VALVE		TS-6-EH		TS-6-V2B		VALVE COVER GASKET		TS-309PZL316
VALVE (High Temperature)		-		TS-6-V2BH		CYLINDER HEAD GASKET		-
VALVE (High Performance)		-		TS-6-V2BP		WEAR PLATE GASKET		TS-303PZL316
SEAT		TS-6-ADDB6		TS-6-S6		EXTENSION ROD SEAL		TS-2011872
SPRING		TS-5710-115		TS-5710-115		EXTENSION ROD BAFFLE		TS-PZ840
INSERT (Urethane)		TS-6-WI		-				
INSERT (Rubber)		TS-6-WR		-				
PULLER HEAD		TS-HP1700-6		TS-01362				
PISTON ROD & EXTENSION ROD								
ROD CLAMP	PISTON ROD STUD	PISTON NUT	TWO-PIECE PISTON ROD FRONT	CLAMP TYPE PISTON ROD	TWO-PIECE PISTON ROD BACK	THREADED TYPE EXTENSION ROD	CLAMP TYPE EXTENSION ROD	
TMPZ11-03-08	TS-PP1005294	TM-NUT	TS-PP1005290	TM-200	TS-PP1005292	-	TMPZ11-01-06	
FLUID END MODULE								
FLUID END MODULE STUDDER				MODULE SEAL SET		STUDS & NUTS SET		
TS-300PZL2039				TMPZ11HP-SEALKIT		TMPZ11HP-STUDSET		

TSC does not warrant or represent that any of such information is accurate, or that any products listed are compatible with each other. Any deviations from the OEM products should be verified as to compatibility.

TSC Manufacturing and Supply LLC, 13788 West Road, Suite 100, Houston, Texas 77041, USA!



GARDNER DENVER

PXL

7 x 12

	LINERS	ZIRCONIA LINERS	LINER GASKETS	PISTONS				PISTON RUBBER
SIZE	PART NUMBER	PART NUMBER	PART NUMBER	URETHANE BONDED	RUBBER BONDED	N'DURALL BONDED	REPLACEABLE RUBBER	PART NUMBER
4"	TS-1197-40HP		G-756 *	LLU-40-K15	LL-40-K15	HPW-40-K15	I-40-K15	TM-40-KR
4 1/2"	TS-1197-44HP	TS-07561450	G-756 *	LLU-44-B15	LL-44-B15	HPW-44-B15	I-44-B15	TM-44-BR
5"	TS-1197-50HP	TS-07561500	G-756 *	LLU-50-B15	LL-50-B15	HPW-50-B15	I-50-B15	TM-50-BR
5 1/2"	TS-1197-54HP	TS-07561550	G-756 *	LLU-54-B15	LL-54-B15	HPW-54-B15	I-54-B15	TM-54-BR
5 3/4"	TS-1197-56HP	TS-07561575	G-756 *	LLU-56-B15	LL-56-B15	HPW-56-B15	I-56-B15	TM-56-BR
6"	TS-1197-60HP	TS-07561600	G-757 *	LLU-60-B15	LL-60-B15	HPW-60-B15	I-60-B15	TM-60-BR
6 1/4"	TS-1197-62HP	TS-07561625	G-757 *	LLU-62-L15	LL-62-L15	HPW-62-L15	I-62-L15	TM-62-LR
6 1/2"	TS-1197-64HP	TS-07561650	G-757 *	LLU-64-L15	LL-64-L15	HPW-64-L15	I-64-L15	TM-64-LR
VALVES, SEATS, SPRINGS						GASKETS		
	4 WEB DESIGN		FULL OPEN	FULL OPEN (BONDED)		PART NUMBER		
VALVE	TS-6-EH		TS-6-V1	TS-6-V2B	VALVE COVER GASKET	TS-309PZL316		
VALVE (High Temperature)	-		-	TS-6-V2BH	CYLINDER HEAD GASKET	TS-309PZL316		
VALVE (High Performance)	-		-	TS-6-V2BP	WEAR PLATE GASKET	TS-309PZL316		
SEAT	TS-6-ADDB6		TS-6-S6	TS-6-S6	EXTENSION ROD SEAL	TS-2011872		
SPRING	TS-5710-115		TS-5710-115	TS-5710-115	EXTENSION ROD BAFFLE	TS-PZ840		
INSERT (Urethane)	TS-6-WI		TS-6-FI	-				
INSERT (Rubber)	TS-6-WR		TS-6-FR	-				
PULLER HEAD	TS-HP1700-6		TS-01362	TS-01362				
PISTON ROD & EXTENSION ROD								
ROD CLAMP	PISTON ROD STUD	PISTON NUT	TWO-PIECE PISTON ROD FRONT	CLAMP TYPE PISTON ROD	TWO-PIECE PISTON ROD BACK	THREADED TYPE EXTENSION ROD	CLAMP TYPE EXTENSION ROD	
TMPZ11-03-08	TS-PP1005294	TM-NUT	TS-PP1005290	TM-200	TS-PP1005292	-	TMPZ11-01-06	
FLUID END MODULE								
FLUID END MODULE STUDDED				MODULE SEAL SET		STUDS & NUTS SET		
-				-		-		

TSC does not warrant or represent that any of such information is accurate, or that any products listed are compatible with each other. Any deviations from the OEM products should be verified as to compatibility.

TSC Manufacturing and Supply LLC, 13788 West Road, Suite 100, Houston, Texas 77041, USA!



IDECO

T-500

7 x 8

LINERS		LINER GASKETS	PISTONS				PISTON RUBBERS
SIZE	PART NUMBER	PART NUMBER	URETHANE BONDED	RUBBER BONDED	N'DURALL BONDED	REPLACEABLE RUBBER	PART NUMBER
4"	TS-0234-40HP	G-783 *	LLU-40-K15	LL-40-K15	HPW-40-K15	I-40-K15	TM-40-KR
4 1/2"	TS-0234-44HP	G-783 *	LLU-44-B15	LL-44-B15	HPW-44-B15	I-44-B15	TM-44-BR
5"	TS-0234-50HP	G-783 *	LLU-50-B15	LL-50-B15	HPW-50-B15	I-50-B15	TM-50-BR
5 1/2"	TS-0234-54HP	G-783 *	LLU-54-B15	LL-54-B15	HPW-54-B15	I-54-B15	TM-54-BR
5 3/4"	TS-0234-56HP	G-783 *	LLU-56-B15	LL-56-B15	HPW-56-B15	I-56-B15	TM-56-BR
6"	TS-0234-60HP	G-783 *	LLU-60-B15	LL-60-B15	HPW-60-B15	I-60-B15	TM-60-BR
6 1/4"	TS-0234-62HP	G-783 *	LLU-62-L15	LL-62-L15	HPW-62-L15	I-62-L15	TM-62-LR
6 1/2"	TS-0234-64HP	G-783 *	LLU-64-L15	LL-64-L15	HPW-64-L15	I-64-L15	TM-64-LR
6 3/4"	TS-0234-66HP	G-783 *	LLU-66-L15	LL-66-L15	HPW-66-L15	I-66-L15	TM-66-LR
7"	TS-0234-70HP	G-783 *	LLU-70-L15	LL-70-L15	HPW-70-L15	I-70-L15	TM-70-LR
VALVES, SEATS, SPRINGS					GASKETS		
	4 WEB DESIGN	FULL OPEN (1)	FULL OPEN (2)		PART NUMBER		
VALVE	TS-6-EH	TS-0995M	TS-6-V1	VALVE COVER GASKET	G-783 *		
SEAT	TS-6-ADDB6	TS-1380M	TS-6-S6	CYLINDER HEAD GASKET	G-783 *		
SPRING	TS-5710-115	TS-0701M	TS-5710-115	WEAR PLATE GASKET	-		
INSERT (Urethane)	TS-6-WI	TS-6-MI	TS-6-FI	EXTENSION ROD SEAL	TS-IP-806		
INSERT (Rubber)	TS-6-WR	-	TS-6-FR	EXTENSION ROD BAFFLE	-		
PULLER HEAD	TS-HP1700-6	-	TS-RND6				
PISTON ROD & EXTENSION ROD							
ROD CLAMP	PISTON ROD STUD	PISTON NUT	THREADED TYPE PISTON ROD	CLAMP TYPE PISTON ROD	SUB ROD	THREADED TYPE EXTENSION ROD	CLAMP TYPE EXTENSION ROD
TMT05-03-08	-	TM-NUT	-	TM-237	-	-	TMT05-01-06
FLUID END MODULE							
FLUID END MODULE STUDDED				MODULE SEAL SET		STUDS & NUTS SET	
TS-551-458				TMT10-SEALKIT		TMT10-STUDSET	

TSC does not warrant or represent that any of such information is accurate, or that any products listed are compatible with each other. Any deviations from the OEM products should be verified as to compatibility.

TSC Manufacturing and Supply LLC, 13788 West Road, Suite 100, Houston, Texas 77041, USA!



IDECO

T-800

7 x 9

	LINERS	ZIRCONIA LINERS	LINER GASKETS	PISTONS				PISTON RUBBERS
SIZE	PART NUMBER	PART NUMBER	PART NUMBER	URETHANE BONDED	RUBBER BONDED	N'DURALL BONDED	REPLACEABLE RUBBER	PART NUMBER
4"	TS-0230-40HP	TS-07502400	G-783 *	LLU-40-K15	LL-40-K15	HPW-40-K15	I-40-K15	TM-40-KR
4 1/2"	TS-0230-44HP	TS-07502450	G-783 *	LLU-44-B15	LL-44-B15	HPW-44-B15	I-44-B15	TM-44-BR
5"	TS-0230-50HP	TS-07502500	G-783 *	LLU-50-B15	LL-50-B15	HPW-50-B15	I-50-B15	TM-50-BR
5 1/2"	TS-0230-54HP	TS-07502550	G-783 *	LLU-54-B15	LL-54-B15	HPW-54-B15	I-54-B15	TM-54-BR
5 3/4"	TS-0230-56HP	TS-07502575	G-783 *	LLU-56-B15	LL-56-B15	HPW-56-B15	I-56-B15	TM-56-BR
6"	TS-0230-60HP	TS-07502600	G-783 *	LLU-60-B15	LL-60-B15	HPW-60-B15	I-60-B15	TM-60-BR
6 1/4"	TS-0230-62HP	TS-07502625	G-783 *	LLU-62-L15	LL-62-L15	HPW-62-L15	I-62-L15	TM-62-LR
6 1/2"	TS-0230-64HP	TS-07502650	G-783 *	LLU-64-L15	LL-64-L15	HPW-64-L15	I-64-L15	TM-64-LR
6 3/4"	TS-0230-66HP	TS-07502675	G-783 *	LLU-66-L15	LL-66-L15	HPW-66-L15	I-66-L15	TM-66-LR
7"	TS-0230-70HP	TS-07502700	G-783 *	LLU-70-L15	LL-70-L15	HPW-70-L15	I-70-L15	TM-70-LR
VALVES, SEATS, SPRINGS						GASKETS		
	4 WEB DESIGN	FULL OPEN (1)	FULL OPEN (2)					PART NUMBER
VALVE	TS-6-EH	TS-0995M	TS-6-V1	VALVE COVER GASKET				G-783 *
SEAT	TS-6-ADDB6	TS-1380M	TS-6-S6	CYLINDER HEAD GASKET				G-783 *
SPRING	TS-5710-115	TS-0701M	TS-5710-115	WEAR PLATE GASKET				G-292 *
INSERT (Urethane)	TS-6-WI	TS-6-MI	TS-6-FI	EXTENSION ROD SEAL				TS-IP-805
INSERT (Rubber)	TS-6-WR	-	TS-6-FR	EXTENSION ROD BAFFLE				TS-551-406-09
PULLER HEAD	TS-HP1700-6	-	TS-RND6					
PISTON ROD & EXTENSION ROD								
ROD CLAMP	PISTON ROD STUD	PISTON NUT	THREADED TYPE PISTON ROD	CLAMP TYPE PISTON ROD	SUB ROD	THREADED TYPE EXTENSION ROD		CLAMP TYPE EXTENSION ROD
TMT10-03-08	-	TM-NUT	-	TM-230	-	-		TMT08-01-06
FLUID END MODULE								
FLUID END MODULE STUDDED				MODULE SEAL SET		STUDS & NUTS SET		
TS-551-458				TMT10-SEALKIT		TMT10-STUDSET		

TSC does not warrant or represent that any of such information is accurate, or that any products listed are compatible with each other. Any deviations from the OEM products should be verified as to compatibility.

TSC Manufacturing and Supply LLC, 13788 West Road, Suite 100, Houston, Texas 77041, USA!



IDECO

T-1000

7 x 10

LINERS		ZIRCONIA LINERS	LINER GASKETS	PISTONS				PISTON RUBBERS
SIZE	PART NUMBER	PART NUMBER	PART NUMBER	URETHANE BONDED	RUBBER BONDED	N'DURALL BONDED	REPLACEABLE RUBBER	PART NUMBER
4"	TS-0230-40HP	TS-07502400	G-783 *	LLU-40-K15	LL-40-K15	HPW-40-K15	I-40-K15	TM-40-KR
4 1/2"	TS-0230-44HP	TS-07502450	G-783 *	LLU-44-B15	LL-44-B15	HPW-44-B15	I-44-B15	TM-44-BR
5"	TS-0230-50HP	TS-07502500	G-783 *	LLU-50-B15	LL-50-B15	HPW-50-B15	I-50-B15	TM-50-BR
5 1/2"	TS-0230-54HP	TS-07502550	G-783 *	LLU-54-B15	LL-54-B15	HPW-54-B15	I-54-B15	TM-54-BR
5 3/4"	TS-0230-56HP	TS-07502575	G-783 *	LLU-56-B15	LL-56-B15	HPW-56-B15	I-56-B15	TM-56-BR
6"	TS-0230-60HP	TS-07502600	G-783 *	LLU-60-B15	LL-60-B15	HPW-60-B15	I-60-B15	TM-60-BR
6 1/4"	TS-0230-62HP	TS-07502625	G-783 *	LLU-62-L15	LL-62-L15	HPW-62-L15	I-62-L15	TM-62-LR
6 1/2"	TS-0230-64HP	TS-07502650	G-783 *	LLU-64-L15	LL-64-L15	HPW-64-L15	I-64-L15	TM-64-LR
6 3/4"	TS-0230-66HP	TS-07502675	G-783 *	LLU-66-L15	LL-66-L15	HPW-66-L15	I-66-L15	TM-66-LR
7"	TS-0230-70HP	TS-07502700	G-783 *	LLU-70-L15	LL-70-L15	HPW-70-L15	I-70-L15	TM-70-LR
VALVES, SEATS, SPRINGS						GASKETS		
		4 WEB DESIGN	FULL OPEN (1)	FULL OPEN (2)		PART NUMBER		
VALVE		TS-6-EH	TS-0995M	TS-6-V1	VALVE COVER GASKET	G-783 *		
SEAT		TS-6-ADDB6	TS-1380M	TS-6-S6	CYLINDER HEAD GASKET	G-783 *		
SPRING		TS-5710-115	TS-0701M	TS-5710-115	WEAR PLATE GASKET	G-292 *		
INSERT (Urethane)		TS-6-WI	TS-6-MI	TS-6-FI	EXTENSION ROD SEAL	TS-IP-805		
INSERT (Rubber)		TS-6-WR	-	TS-6-FR	EXTENSION ROD BAFFLE	TS-551-406-09		
PULLER HEAD		TS-HP1700-6		TS-RND6				
PISTON ROD & EXTENSION ROD								
ROD CLAMP	PISTON ROD STUD	PISTON NUT	THREADED TYPE PISTON ROD	CLAMP TYPE PISTON ROD	SUB ROD	THREADED TYPE EXTENSION ROD	CLAMP TYPE EXTENSION ROD	
TMT10-03-08	-	TM-NUT	-	TM-230	-	-	TMT10-01-06	
FLUID END MODULE								
FLUID END MODULE STUDDED				MODULE SEAL SET		STUDS & NUTS SET		
TS-551-458				TMT10-SEALKIT		TMT10-STUDSET		

TSC does not warrant or represent that any of such information is accurate, or that any products listed are compatible with each other. Any deviations from the OEM products should be verified as to compatibility.

TSC Manufacturing and Supply LLC, 13788 West Road, Suite 100, Houston, Texas 77041, USA!



IDECO

T-1300

7-1/2 x 12

SIZE	LINERS	ZIRCONIA LINERS	LINER GASKETS	PISTONS				PISTON RUBBERS
	PART NUMBER	PART NUMBER	PART NUMBER	URETHANE BONDED	RUBBER BONDED	N'DURALL BONDED	REPLACEABLE RUBBER	PART NUMBER
4"	TS-0233-40HP	TS-07507400	G-782 *	LLU-40-K15	LL-40-K15	HPW-40-K15	I-40-K15	TM-40-KR
4 1/2"	TS-0233-44HP	TS-07507450	G-782 *	LLU-44-B15	LL-44-B15	HPW-44-B15	I-44-B15	TM-44-BR
5"	TS-0233-50HP	TS-07507500	G-782 *	LLU-50-B15	LL-50-B15	HPW-50-B15	I-50-B15	TM-50-BR
5 1/2"	TS-0233-54HP	TS-07507550	G-782 *	LLU-54-B15	LL-54-B15	HPW-54-B15	I-54-B15	TM-54-BR
5 3/4"	TS-0233-56HP	TS-07507575	G-782 *	LLU-56-B15	LL-56-B15	HPW-56-B15	I-56-B15	TM-56-BR
6"	TS-0233-60HP	TS-07507600	G-782 *	LLU-60-B15	LL-60-B15	HPW-60-B15	I-60-B15	TM-60-BR
6 1/4"	TS-0233-62HP	TS-07507625	G-782 *	LLU-62-L15	LL-62-L15	HPW-62-L15	I-62-L15	TM-62-LR
6 1/2"	TS-0233-64HP	TS-07507650	G-782 *	LLU-64-L15	LL-64-L15	HPW-64-L15	I-64-L15	TM-64-LR
6 3/4"	TS-0233-66HP	TS-07507675	G-782 *	LLU-66-L15	LL-66-L15	HPW-66-L15	I-66-L15	TM-66-LR
7"	TS-0233-70HP	TS-07507700	G-782 *	LLU-70-L15	LL-70-L15	HPW-70-L15	I-70-L15	TM-70-LR
7-1/4"	TS-0233-72HP	TS-07507725	G-782 *	LLU-72-L15	LL-72-L15	HPW-72-L15	I-72-L15	TM-72-LR
7-1/2"	TS-0233-74HP	TS-07507750	G-782 *	LLU-74-L15	LL-74-L15	HPW-74-L15	I-74-L15	TM-74-LR
VALVES, SEATS, SPRINGS						GASKETS		
	4 WEB DESIGN	3 WEB DESIGN	FULL OPEN (1)	FULL OPEN (2)		PART NUMBER		
VALVE	TS-7-EEF	TS-202482	TS-0985M	TS-7-V1	VALVE COVER GASKET	G-782 *		
SEAT	TS-7-DDB1	TS-202039	TS-1370M	TS-7-S1	CYLINDER HEAD GASKET	G-782 *		
SPRING	TS-5710-115	-	TS-0702M	TS-5710-115L	WEAR PLATE GASKET	TS-2930-10 *		
INSERT (Urethane)	TS-7-WI	TS-201PZL106	TS-7-MI	TS-7-FI	EXTENSION ROD SEAL	TS-IP-804		
INSERT (Rubber)	TS-7-WR	TS-202PZL106	-	-	EXTENSION ROD BAFFLE	TS-450-06-12		
PULLER HEAD	TS-HP1700-7		TS-01425	TS-RND7				
PISTON ROD & EXTENSION ROD								
ROD CLAMP	PISTON ROD STUD	PISTON NUT	THREADED TYPE PISTON ROD	CLAMP TYPE PISTON ROD	SUB ROD	THREADED TYPE EXTENSION ROD	CLAMP TYPE EXTENSION ROD	
TMT16-03-08	-	TM-NUT	-	TM-233	-	-	TMT16-01-06	
FLUID END MODULE								
FLUID END MODULE STUDDER				MODULE SEAL SET		STUDS & NUTS SET		
TS-551-122-01				TMT16-SEALKIT		TMT16-STUDSET		

TSC does not warrant or represent that any of such information is accurate, or that any products listed are compatible with each other. Any deviations from the OEM products should be verified as to compatibility.

TSC Manufacturing and Supply LLC, 13788 West Road, Suite 100, Houston, Texas 77041, USA!

IDECO

T-1600

7-1/2 x 12

SIZE	LINERS	ZIRCONIA LINERS	LINER GASKETS	PISTONS				PISTON RUBBERS
	PART NUMBER	PART NUMBER	PART NUMBER	URETHANE BONDED	RUBBER BONDED	N'DURALL BONDED	REPLACEABLE RUBBER	PART NUMBER
4"	TS-0233-40HP	TS-07507400	G-782 *	LLU-40-K15	LL-40-K15	HPW-40-K15	I-40-K15	TM-40-KR
4 1/2"	TS-0233-44HP	TS-07507450	G-782 *	LLU-44-B15	LL-44-B15	HPW-44-B15	I-44-B15	TM-44-BR
5"	TS-0233-50HP	TS-07507500	G-782 *	LLU-50-B15	LL-50-B15	HPW-50-B15	I-50-B15	TM-50-BR
5 1/2"	TS-0233-54HP	TS-07507550	G-782 *	LLU-54-B15	LL-54-B15	HPW-54-B15	I-54-B15	TM-54-BR
5 3/4"	TS-0233-56HP	TS-07507575	G-782 *	LLU-56-B15	LL-56-B15	HPW-56-B15	I-56-B15	TM-56-BR
6"	TS-0233-60HP	TS-07507600	G-782 *	LLU-60-B15	LL-60-B15	HPW-60-B15	I-60-B15	TM-60-BR
6 1/4"	TS-0233-62HP	TS-07507625	G-782 *	LLU-62-L15	LL-62-L15	HPW-62-L15	I-62-L15	TM-62-LR
6 1/2"	TS-0233-64HP	TS-07507650	G-782 *	LLU-64-L15	LL-64-L15	HPW-64-L15	I-64-L15	TM-64-LR
6 3/4"	TS-0233-66HP	TS-07507675	G-782 *	LLU-66-L15	LL-66-L15	HPW-66-L15	I-66-L15	TM-66-LR
7"	TS-0233-70HP	TS-07507700	G-782 *	LLU-70-L15	LL-70-L15	HPW-70-L15	I-70-L15	TM-70-LR
7-1/4"	TS-0233-72HP	TS-07507725	G-782 *	LLU-72-L15	LL-72-L15	HPW-72-L15	I-72-L15	TM-72-LR
7-1/2"	TS-0233-74HP	TS-07507750	G-782 *	LLU-74-L15	LL-74-L15	HPW-74-L15	I-74-L15	TM-74-LR
VALVES, SEATS, SPRINGS						GASKETS		
		4 WEB DESIGN	FULL OPEN	FULL OPEN (BONDED)			PART NUMBER	
VALVE		TS-7-EEF	TS-7-V1	TS-7-V2B	VALVE COVER GASKET		G-782 *	
VALVE (High Temperature)		-	-	TS-7-V2BH	CYLINDER HEAD GASKET		G-782 *	
VALVE (High Performance)		-	-	TS-7-V2BP	WEAR PLATE GASKET		TS-2930-10 *	
SEAT		TS-7-DDB1	TS-7-S1	TS-7-S1	EXTENSION ROD SEAL		TS-IP-804	
SPRING		TS-5710-115	TS-5710-115L	TS-5710-115L	EXTENSION ROD BAFFLE		TS-450-06-12	
INSERT (Urethane)		TS-7-WI	TS-7-FI	-				
INSERT (Rubber)		TS-7-WR	-	-				
PULLER HEAD		TS-HP1700-7	TS-RND7	TS-RND7				
PISTON ROD & EXTENSION ROD								
ROD CLAMP	PISTON ROD STUD	PISTON NUT	THREADED TYPE PISTON ROD	CLAMP TYPE PISTON ROD	SUB ROD	THREADED TYPE EXTENSION ROD	CLAMP TYPE EXTENSION ROD	
TMT16-03-08	-	TM-NUT	-	TM-233	-	-	TMT16-01-06	
FLUID END MODULE								
FLUID END MODULE STUDDED				MODULE SEAL SET		STUDS & NUTS SET		
TS-551-122-01				TMT16-SEALKIT		TMT16-STUDSET		

TSC does not warrant or represent that any of such information is accurate, or that any products listed are compatible with each other. Any deviations from the OEM products should be verified as to compatibility.

TSC Manufacturing and Supply LLC, 13788 West Road, Suite 100, Houston, Texas 77041, USA!



NATIONAL

JWS-165

4-1/2 x 5

		LINERS	LINER GASKETS	PISTONS				PISTON RUBBERS
SIZE	PART NUMBER	PART NUMBER	URETHANE BONDED	RUBBER BONDED	N'DURALL BONDED	REPLACEABLE RUBBER	PART NUMBER	
3-1/2"	TS-0240-34HP	G-925C	LLU-34-K10	LL-34-K10	-	I-34-K10.	TM-34-KR	
4"	TS-0240-40HP	G-925C	LLU-40-K10	LL-40-K10	-	I-40-K10	TM-40-KR	
4-1/2"	TS-0240-44Cr	G-925C	LLU-44-B10	LL-44-B10	HPW-44-B10	I-44-B10	TM-44-BR	
VALVES, SEATS, SPRINGS					GASKETS			
	FULL OPEN (1)		FULL OPEN (2)				PART NUMBER	
VALVE	TS-1575M		TS-4-V7		VALVE COVER GASKET		G-1718265	
SUCTION SEAT	TS-1571M		TS-4-S17		CYLINDER HEAD GASKET		-	
DISCHARGE SEAT	TS-1572M		TS-4-S18					
SUCTION SPRING	TS-1712211		TS-19000-6		WEAR PLATE GASKET		-	
DISCHARGE SPRING	TS-1712206		TS-5710-118					
INSERT (Urethane)	TS-1577M		TS-4-FIA		EXTENSION ROD SEAL		-	
INSERT (Rubber)	-		-		EXTENSION ROD BAFFLE		-	
PULLER HEAD	-		TS-01300					
PISTON ROD & EXTENSION ROD								
ROD CLAMP	PISTON ROD STUD	PISTON NUT	THREADED TYPE PISTON ROD	CLAMP TYPE PISTON ROD	SUB ROD	THREADED TYPE EXTENSION ROD	CLAMP TYPE EXTENSION ROD	
TM165-03-08	-	TM-NUT1	-	TM-165-A	TM-165-B	-	TM-165-C	
FLUID END MODULE								
SUCTION MODULE STUDDER		DISCHARGE MODULE STUDDER		MODULE SEAL SET		STUDS & NUTS SET		
-		-		-		-		

TSC does not warrant or represent that any of such information is accurate, or that any products listed are compatible with each other. Any deviations from the OEM products should be verified as to compatibility.

TSC Manufacturing and Supply LLC, 13788 West Road, Suite 100, Houston, Texas 77041, USA!



NATIONAL

JWS-340

4-1/2 x 5

LINERS		LINER GASKETS		PISTONS				PISTON RUBBERS
SIZE	PART NUMBER	PART NUMBER	URETHANE BONDED	RUBBER BONDED	N'DURALL BONDED	REPLACEABLE RUBBER	PART NUMBER	
3-1/2"	TS-0240-34HP	G-925C	LLU-34-K10	LL-34-K10	HPW-34-K10	I-34-K10	TM-34-KR	
4"	TS-0240-40HP	G-925C	LLU-40-K10	LL-40-K10	HPW-40-K10	I-40-K10	TM-40-KR	
4-1/2"	TS-0240-44Cr	G-925C	LLU-44-B10	LL-44-B10	HPW-44-B10	I-44-B10	TM-44-BR	
PLUNGER	STUFFING BOX	ADJUSTING NUT	GLAND	ADAPTER	LUBE RING	WASHER	PACKING	
2-3/4"	TS-1717829-1	TS-1717740-2	TS-1717762-2	TS-1717782-2	TS-1717772-2	TS-1717792-2	TS-6400035	
3	TS-17179011	TS-1717902	TS-1712090	-	TS-1717331-2	TS-1717321-2	TS-6423002	
3-1/2"	TS-1717835-1	TS-1717741-2	TS-1717765-2	TS-1717785-2	TS-1717775-2	TS-1717795-2	TS-6400038	
4"	TS-1717837-1	TS-1717743-2	TS-1717767-2	TS-1717787-2	TS-1717777-2	TS-1717797-2	TS-6400040	
VALVES, SEATS, SPRINGS					GASKETS			
	FULL OPEN						PART NUMBER	
VALVE	TS-4-V7						VALVE COVER GASKET	G-1718265
SEAT SUCTION	TS-4-S17						CYLINDER HEAD GASKET	-
SEAT DISCHARGE	TS-4-S18						WEAR PLATE GASKET	-
SUCTION SPRING	TS-19000-6						EXTENSION ROD SEAL	-
DISCHARGE SPRING	TS-5710-118						EXTENSION ROD BAFFLE	TS-1717016
INSERT (Urethane)	TS-4-FIA							
INSERT (Rubber)	-							
PULLER HEAD	TS-01300							
PISTON ROD & EXTENSION ROD								
ROD CLAMP	PISTON ROD STUD	PISTON NUT	THREADED TYPE PISTON ROD	CLAMP TYPE PISTON ROD	SUB ROD	THREADED TYPE EXTENSION ROD	CLAMP TYPE EXTENSION ROD	
TM165-03-08	-	TM-NUT1	-	TM-165-A	TM-165-B	-	TM-165C	
FLUID END MODULE								
FLUID END MODULE STUDED				MODULE SEAL SET		STUDS & NUTS SET		
TS-171719612				TMJWS34-SEALKIT		TMJWS34-STUDSET		

TSC does not warrant or represent that any of such information is accurate, or that any products listed are compatible with each other. Any deviations from the OEM products should be verified as to compatibility.

TSC Manufacturing and Supply LLC, 13788 West Road, Suite 100, Houston, Texas 77041, USA!

NATIONAL

JWS-400

6 x 8-1/2

		LINERS		LINER GASKETS	PISTONS				PISTON RUBBERS
SIZE	PART NUMBER	PART NUMBER	URETHANE BONDED	RUBBER BONDED	N'DURALL BONDED	REPLACEABLE RUBBER	PART NUMBER		
4"	TS-4701-40HP	G-272	LLU-40-K15	LL-40-K15	HPW-40-K15	I-40-K15	TM-40-KR		
4 1/2"	TS-4701-44HP	G-274	LLU-44-B15	LL-44-B15	HPW-44-B15	I-44-B15	TM-44-BR		
5"	TS-4701-50HP	G-276	LLU-50-B15	LL-50-B15	HPW-50-B15	I-50-B15	TM-50-BR		
5 1/2"	TS-4701-54HP	G-278	LLU-54-B15	LL-54-B15	HPW-54-B15	I-54-B15	TM-54-BR		
5 3/4"	TS-4701-56HP	-	LLU-56-B15	LL-56-B15	HPW-56-B15	I-56-B15	TM-56-BR		
6"	TS-4701-60HP	G-280	LLU-60-B15	LL-60-B15	HPW-60-B15	I-60-B15	TM-60-BR		
VALVES, SEATS, SPRINGS					GASKETS				
							PART NUMBER		
VALVE						VALVE COVER GASKET	-		
SEAT						CYLINDER HEAD GASKET	-		
SPRING						WEAR PLATE GASKET	-		
INSERT (Urethane)						EXTENSION ROD SEAL	-		
INSERT (Rubber)						EXTENSION ROD BAFFLE	-		
PISTON ROD & EXTENSION ROD									
ROD CLAMP	PISTON ROD STUD	PISTON NUT	THREADED TYPE PISTON ROD	CLAMP TYPE PISTON ROD	SUB ROD	THREADED TYPE EXTENSION ROD	CLAMP TYPE EXTENSION ROD		
TM400-03-08	TM-NUT	-	-	TM-400-A	TM-400-B	-	TM-400-C		
FLUID END MODULE									
SUCTION MODULE STUDDED		DISCHARGE MODULE STUDDED		MODULE SEAL SET		STUDS & NUTS SET			
-		-		-		-			

TSC does not warrant or represent that any of such information is accurate, or that any products listed are compatible with each other. Any deviations from the OEM products should be verified as to compatibility.

TSC Manufacturing and Supply LLC, 13788 West Road, Suite 100, Houston, Texas 77041, USA!



NATIONAL

7-P-50

6-1/4 x 7

LINERS		LINER GASKETS	PISTONS				PISTON RUBBERS
SIZE	PART NUMBER	PART NUMBER	URETHANE BONDED	RUBBER BONDED	N'DURALL BONDED	REPLACEABLE RUBBER	PART NUMBER
4"	TS-0257-40HP	G-272 *	LLU-40-K15	LL-40-K15	HPW-40-K15	I-40-K15	TM-40-KR
4 1/2"	TS-0257-44HP	G-274 *	LLU-44-B15	LL-44-B15	HPW-44-B15	I-44-B15	TM-44-BR
5"	TS-0257-50HP	G-276 *	LLU-50-B15	LL-50-B15	HPW-50-B15	I-50-B15	TM-50-BR
5 1/2"	TS-0257-54HP	G-278 *	LLU-54-B15	LL-54-B15	HPW-54-B15	I-54-B15	TM-54-BR
5 3/4"	TS-0257-56HP	-	LLU-56-B15	LL-56-B15	HPW-56-B15	I-56-B15	TM-56-BR
6"	TS-0257-60HP	G-280 *	LLU-60-B15	LL-60-B15	HPW-60-B15	I-60-B15	TM-60-BR
6 1/4"	TS-0257-62HP	G-268 *	LLU-62-L15	LL-62-L15	HPW-62-L15	I-62-L15	TM-62-LR
VALVES, SEATS, SPRINGS					GASKETS		
	4 WEB DESIGN		FULL OPEN				PART NUMBER
VALVE	TS-5-M5B5		TS-5-V1		VALVE COVER GASKET		G-788 *
SEAT	TS-5-DDB3		TS-5-S3		CYLINDER HEAD GASKET		-
SPRING	TS-5710-115		TS-5710-115		WEAR PLATE GASKET		TS-1294192
INSERT (Urethane)	TS-5-WI		TS-5-FI		EXTENSION ROD SEAL		TS-720-9100
INSERT (Rubber)	-		-		EXTENSION ROD BAFFLE		-
PULLER HEAD	TS-03555		-				
PISTON ROD & EXTENSION ROD							
ROD CLAMP	PISTON ROD STUD	PISTON NUT	THREADED TYPE PISTON ROD	CLAMP TYPE PISTON ROD	SUB ROD	THREADED TYPE EXTENSION ROD	CLAMP TYPE EXTENSION ROD
TM07P-03-08	-	TM-NUT	-	TM-257-A	TM-257-B	-	TM07P-01-06
FLUID END MODULE							
SUCTION MODULE STUDDER		DISCHARGE MODULE STUDDER		MODULE SEAL SET		STUDS & NUTS SET	
TS-1294156		TS-1294151		-		-	

TSC does not warrant or represent that any of such information is accurate, or that any products listed are compatible with each other. Any deviations from the OEM products should be verified as to compatibility.

TSC Manufacturing and Supply LLC, 13788 West Road, Suite 100, Houston, Texas 77041, USA!



NATIONAL

8-P-80

6-1/2 x 8-1/2

LINERS		ZIRCONIA LINERS	LINER GASKETS	PISTONS				PISTON RUBBERS
SIZE	PART NUMBER	PART NUMBER	PART NUMBER	URETHANE BONDED	RUBBER BONDED	N'DURALL BONDED	REPLACEABLE RUBBER	PART NUMBER
4"	TS-0256-40HP	TS-07464400	G-272 *	LLU-40-K15	LL-40-K15	HPW-40-K15	I-40-K15	TM-40-KR
4 1/2"	TS-0256-44HP	TS-07464450	G-274 *	LLU-44-B15	LL-44-B15	HPW-44-B15	I-44-B15	TM-44-BR
5"	TS-0256-50HP	TS-07464500	G-276 *	LLU-50-B15	LL-50-B15	HPW-50-B15	I-50-B15	TM-50-BR
5 1/2"	TS-0256-54HP	TS-07464550	G-278 *	LLU-54-B15	LL-54-B15	HPW-54-B15	I-54-B15	TM-54-BR
5 3/4"	TS-0256-56HP	TS-07464575	-	LLU-56-B15	LL-56-B15	HPW-56-B15	I-56-B15	TM-56-BR
6"	TS-0256-60HP	TS-07464600	G-280 *	LLU-60-B15	LL-60-B15	HPW-60-B15	I-60-B15	TM-60-BR
6 1/4"	TS-0256-62HP	TS-07464625	G-268 *	LLU-62-L15	LL-62-L15	HPW-62-L15	I-62-L15	TM-62-LR
6 1/2"	TS-0256-64HP	TS-07464650	-	LLU-64-L15	LL-64-L15	HPW-64-L15	I-64-L15	TM-64-LR
VALVES, SEATS, SPRINGS						GASKETS		
		4 WEB DESIGN		FULL OPEN (1)	FULL OPEN (2)			PART NUMBER
VALVE		TS-6-EH		TS-0995M	TS-6-V1		VALVE COVER GASKET	G-768 *
SEAT		TS-6-ADDB4		TS-1450M	TS-6-S4		CYLINDER HEAD GASKET	-
SPRING		TS-5710-115		TS-0701M	TS-5710-115		WEAR PLATE GASKET	TS-1290344
INSERT (Urethane)		TS-6-WI		TS-6-MI	TS-6-FI		EXTENSION ROD SEAL	TS-1291182
INSERT (Rubber)		TS-6-WR		-	TS-6-FR		EXTENSION ROD BAFFLE	TS-1291194
PULLER HEAD		TS-HP1700-6		-	TS-RND6			
PISTON ROD & EXTENSION ROD								
ROD CLAMP	PISTON ROD STUD	PISTON NUT	THREADED TYPE PISTON ROD	CLAMP TYPE PISTON ROD	SUB ROD	THREADED TYPE EXTENSION ROD		CLAMP TYPE EXTENSION ROD
TM08P-03-08	-	TM-NUT	-	TM-259-A	TM-259-B	-		TM08P-01-06
FLUID END MODULE								
SUCTION MODULE STUDDER		DISCHARGE MODULE STUDDER		MODULE SEAL SET		STUDS & NUTS SET		
TS-1290338		TS-1291280		TM08P-SEALKIT		TM08P-STUDSETD TM08P-STUDSETS		

TSC does not warrant or represent that any of such information is accurate, or that any products listed are compatible with each other. Any deviations from the OEM products should be verified as to compatibility.

TSC Manufacturing and Supply LLC, 13788 West Road, Suite 100, Houston, Texas 77041, USA!



NATIONAL

9-P-100

6-3/4 x 9

LINERS		ZIRCONIA LINERS	LINER GASKETS	PISTONS				PISTON RUBBERS
SIZE	PART NUMBER	PART NUMBER	PART NUMBER	URETHANE BONDED	RUBBER BONDED	N'DURALL BONDED	REPLACEABLE RUBBER	PART NUMBER
4"	TS-0255-40HP	TS-07465400	G-274 *	LLU-40-K15	LL-40-K15	HPW-40-K15	I-40-K15	TM-40-KR
4 1/2"	TS-0255-44HP	TS-07465450	G-274 *	LLU-44-B15	LL-44-B15	HPW-44-B15	I-44-B15	TM-44-BR
5"	TS-0255-50HP	TS-07465500	G-265 *	LLU-50-B15	LL-50-B15	HPW-50-B15	I-50-B15	TM-50-BR
5 1/2"	TS-0255-54HP	TS-07465550	G-263 *	LLU-54-B15	LL-54-B15	HPW-54-B15	I-54-B15	TM-54-BR
5 3/4"	TS-0255-56HP	TS-07465575	-	LLU-56-B15	LL-56-B15	HPW-56-B15	I-56-B15	TM-56-BR
6"	TS-0255-60HP	TS-07465600	G-261 *	LLU-60-B15	LL-60-B15	HPW-60-B15	I-60-B15	TM-60-BR
6 1/4"	TS-0255-62HP	TS-07465625	G-283 *	LLU-62-L15	LL-62-L15	HPW-62-L15	I-62-L15	TM-62-LR
6 1/2"	TS-0255-64HP	TS-07465650	G-768 *	LLU-64-L15	LL-64-L15	HPW-64-L15	I-64-L15	TM-64-LR
6 3/4"	TS-0255-66HP	TS-07465675	-	LLU-66-L15	LL-66-L15	HPW-66-L15	I-66-L15	TM-66-LR
VALVES, SEATS, SPRINGS						GASKETS		
		4 WEB DESIGN		FULL OPEN (1)	FULL OPEN (2)			PART NUMBER
VALVE		TS-6-EH		TS-0995M	TS-6-V1		VALVE COVER GASKET	G-768 *
SEAT		TS-6-ADDB4		TS-1450M	TS-6-S4		CYLINDER HEAD GASKET	-
SPRING		TS-5710-115		TS-0701M	TS-5710-115		WEAR PLATE GASKET	TS-1290344
INSERT (Urethane)		TS-6-WI		TS-6-MI	TS-6-FI		EXTENSION ROD SEAL	TS-1293182
INSERT (Rubber)		TS-6-WR		-	TS-6-FR		EXTENSION ROD BAFFLE	TS-1293194
PULLER HEAD		TS-HP1700-6		-	TS-RND6			
PISTON ROD & EXTENSION ROD								
ROD CLAMP	PISTON ROD STUD	PISTON NUT	THREADED TYPE PISTON ROD	CLAMP TYPE PISTON ROD	SUB ROD	THREADED TYPE EXTENSION ROD	CLAMP TYPE EXTENSION ROD	
TM09P-03-08	-	TM-NUT	-	TM-260-A	TM-260-B	-	TM09P-01-06	
FLUID END MODULE								
SUCTION MODULE STUDDED		DISCHARGE MODULE STUDDED		MODULE SEAL SET		STUDS & NUTS SET		
TS-1290338		TS-1293240		TM09P-SEALKIT		TM09P-STUDSETD TM09P-STUDSETS		

TSC does not warrant or represent that any of such information is accurate, or that any products listed are compatible with each other. Any deviations from the OEM products should be verified as to compatibility.

TSC Manufacturing and Supply LLC, 13788 West Road, Suite 100, Houston, Texas 77041, USA!



NATIONAL

10-P-130

6-3/4 x 10

LINERS		ZIRCONIA LINERS	LINER GASKETS	PISTONS				PISTON RUBBERS
SIZE	PART NUMBER	PART NUMBER	PART NUMBER	URETHANE BONDED	RUBBER BONDED	N'DURALL BONDED	REPLACEABLE RUBBER	PART NUMBER
4"	TS-0255-40HP	TS-07465400	G-274 *	LLU-40-K15	LL-40-K15	HPW-40-K15	I-40-K15	TM-40-KR
4 1/2"	TS-0255-44HP	TS-07465450	G-274 *	LLU-44-B15	LL-44-B15	HPW-44-B15	I-44-B15	TM-44-BR
5"	TS-0255-50HP	TS-07465500	G-265 *	LLU-50-B15	LL-50-B15	HPW-50-B15	I-50-B15	TM-50-BR
5 1/2"	TS-0255-54HP	TS-07465550	G-263 *	LLU-54-B15	LL-54-B15	HPW-54-B15	I-54-B15	TM-54-BR
5 3/4"	TS-0255-56HP	TS-07465575	-	LLU-56-B15	LL-56-B15	HPW-56-B15	I-56-B15	TM-56-BR
6"	TS-0255-60HP	TS-07465600	G-261 *	LLU-60-B15	LL-60-B15	HPW-60-B15	I-60-B15	TM-60-BR
6 1/4"	TS-0255-62HP	TS-07465625	G-283 *	LLU-62-L15	LL-62-L15	HPW-62-L15	I-62-L15	TM-62-LR
6 1/2"	TS-0255-64HP	TS-07465650	G-768 *	LLU-64-L15	LL-64-L15	HPW-64-L15	I-64-L15	TM-64-LR
6 3/4"	TS-0255-66HP	TS-07465675	-	LLU-66-L15	LL-66-L15	HPW-66-L15	I-66-L15	TM-66-LR
VALVES, SEATS, SPRINGS						GASKETS		
		4 WEB DESIGN		FULL OPEN (1)	FULL OPEN (2)			PART NUMBER
VALVE		TS-6-EH		TS-0995M	TS-6-V1	VALVE COVER GASKET		G-768 *
SEAT		TS-6-ADDB4		TS-1450M	TS-6-S4	CYLINDER HEAD GASKET		-
SPRING		TS-5710-115		TS-0701M	TS-5710-115	WEAR PLATE GASKET		TS-1290344
INSERT (Urethane)		TS-6-WI		TS-6-MI	TS-6-FI	EXTENSION ROD SEAL		TS-1283089
INSERT (Rubber)		TS-6-WR		-	TS-6-FR	EXTENSION ROD BAFFLE		TS-1293194
PULLER HEAD		TS-HP1700-6		-	TS-RND6			
PISTON ROD & EXTENSION ROD								
ROD CLAMP	PISTON ROD STUD	PISTON NUT	THREADED TYPE PISTON ROD	CLAMP TYPE PISTON ROD	SUB ROD	THREADED TYPE EXTENSION ROD		CLAMP TYPE EXTENSION ROD
TM10P-03-08	-	TM-NUT	-	TM-256-A	TM-256-B	-		TM10P-01-06
FLUID END MODULE								
SUCTION MODULE STUDDED		DISCHARGE MODULE STUDDED		MODULE SEAL SET		STUDS & NUTS SET		
TS-1290338		TS-1290335		TM10P-SEALKIT		TM10P-STUDSETD TM10P-STUDSETS		

TSC does not warrant or represent that any of such information is accurate, or that any products listed are compatible with each other. Any deviations from the OEM products should be verified as to compatibility.

TSC Manufacturing and Supply LLC, 13788 West Road, Suite 100, Houston, Texas 77041, USA!



NATIONAL

12-P-160

7-1/2 x 12

LINERS		ZIRCONIA LINERS	LINER GASKETS	PISTONS				PISTON RUBBERS
SIZE	PART NUMBER	PART NUMBER	PART NUMBER	URETHANE BONDED	RUBBER BONDED	N'DURALL BONDED	REPLACEABLE RUBBER	PART NUMBER
4"	TS-0259-40HP	TS-07466400	G-265 *	LLU-40-K15	LL-40-K15	HPW-40-K15	I-40-K15	TM-40-KR
4 1/2"	TS-0259-44HP	TS-07466450	G-265 *	LLU-44-B15	LL-44-B15	HPW-44-B15	I-44-B15	TM-44-BR
5"	TS-0259-50HP	TS-07466500	G-265 *	LLU-50-B15	LL-50-B15	HPW-50-B15	I-50-B15	TM-50-BR
5 1/2"	TS-0259-54HP	TS-07466550	G-263 *	LLU-54-B15	LL-54-B15	HPW-54-B15	I-54-B15	TM-54-BR
5 3/4"	TS-0259-56HP	TS-07466575	-	LLU-56-B15	LL-56-B15	HPW-56-B15	I-56-B15	TM-56-BR
6"	TS-0259-60HP	TS-07466600	G-261 *	LLU-60-B15	LL-60-B15	HPW-60-B15	I-60-B15	TM-60-BR
6 1/4"	TS-0259-62HP	TS-07466625	G-283 *	LLU-62-L15	LL-62-L15	HPW-62-L15	I-62-L15	TM-62-LR
6 1/2"	TS-0259-64HP	TS-07466650	G-284 *	LLU-64-L15	LL-64-L15	HPW-64-L15	I-64-L15	TM-64-LR
6 3/4"	TS-0259-66HP	TS-07466675	G-287 *	LLU-66-L15	LL-66-L15	HPW-66-L15	I-66-L15	TM-66-LR
7"	TS-0259-70HP	TS-07466700	G-285 *	LLU-70-L15	LL-70-L15	HPW-70-L15	I-70-L15	TM-70-LR
VALVES, SEATS, SPRINGS						GASKETS		
		4 WEB DESIGN	FULL OPEN (1)	FULL OPEN (2)		PART NUMBER		
VALVE		TS-7-EEF	TS-0985M	TS-7-V1	VALVE COVER GASKET	G-787 *		
SEAT		TS-7-DDB12	TS-1440M	TS-7-S12	CYLINDER HEAD GASKET	-		
SPRING		TS-5710-115	TS-0702M	TS-5710-115L	WEAR PLATE GASKET	TS-1292257		
INSERT (Urethane)		TS-7-WI	TS-7-MI	TS-7-FI	EXTENSION ROD SEAL	TS-1292182		
INSERT (Rubber)		TS-7-WR	-	-	EXTENSION ROD BAFFLE	TS-1292194		
PULLER HEAD		TS-HP1700-7	TS-01425	TS-RND7				
PISTON ROD & EXTENSION ROD								
ROD CLAMP	PISTON ROD STUD	PISTON NUT	THREADED TYPE PISTON ROD	CLAMP TYPE PISTON ROD	SUB ROD	THREADED TYPE EXTENSION ROD	CLAMP TYPE EXTENSION ROD	
TM12P-03-08	-	TM-NUT	-	TM-258-A	TM-258-B	-	TM12P-01-06	
FLUID END MODULE								
SUCTION MODULE STUDD	DISCHARGE MODULE STUDD	MODULE SEAL SET			STUDS & NUTS SET			
TS-1292243	TS-1292240	TM12P-SEALKIT			TM12P-STUDSETD TM12P-STUDSETS			

TSC does not warrant or represent that any of such information is accurate, or that any products listed are compatible with each other. Any deviations from the OEM products should be verified as to compatibility.

TSC Manufacturing and Supply LLC, 13788 West Road, Suite 100, Houston, Texas 77041, USA!



NATIONAL

12-P-160 FAST CHANGE

7-1/2 x 12

LINERS		ZIRCONIA LINERS	LINER GASKETS	PISTONS				PISTON RUBBERS
SIZE	PART NUMBER	PART NUMBER	PART NUMBER	URETHANE BONDED	RUBBER BONDED	N'DURALL BONDED	REPLACEABLE RUBBER	PART NUMBER
4"	TS-0259-40HP	TS-07466400	G-265 *	LLU-40-K15	LL-40-K15	HPW-40-K15	I-40-K15	TM-40-KR
4 1/2"	TS-0259-44HP	TS-07466450	G-265 *	LLU-44-B15	LL-44-B15	HPW-44-B15	I-44-B15	TM-44-BR
5"	TS-0259-50HP	TS-07466500	G-265 *	LLU-50-B15	LL-50-B15	HPW-50-B15	I-50-B15	TM-50-BR
5 1/2"	TS-0259-54HP	TS-07466550	G-263 *	LLU-54-B15	LL-54-B15	HPW-54-B15	I-54-B15	TM-54-BR
5 3/4"	TS-0259-56HP	TS-07466575	-	LLU-56-B15	LL-56-B15	HPW-56-B15	I-56-B15	TM-56-BR
6"	TS-0259-60HP	TS-07466600	G-261 *	LLU-60-B15	LL-60-B15	HPW-60-B15	I-60-B15	TM-60-BR
6 1/4"	TS-0259-62HP	TS-07466625	G-283 *	LLU-62-L15	LL-62-L15	HPW-62-L15	I-62-L15	TM-62-LR
6 1/2"	TS-0259-64HP	TS-07466650	G-284 *	LLU-64-L15	LL-64-L15	HPW-64-L15	I-64-L15	TM-64-LR
6 3/4"	TS-0259-66HP	TS-07466675	G-287 *	LLU-66-L15	LL-66-L15	HPW-66-L15	I-66-L15	TM-66-LR
7"	TS-0259-70HP	TS-07466700	G-285 *	LLU-70-L15	LL-70-L15	HPW-70-L15	I-70-L15	TM-70-LR
VALVES, SEATS, SPRINGS						GASKETS		
		4 WEB DESIGN		FULL OPEN (1)	FULL OPEN (2)			PART NUMBER
VALVE		TS-7-EEF		TS-0985M	TS-7-V1		VALVE COVER GASKET	G-787 *
SEAT		TS-7-DDB12		TS-1440M	TS-7-S12		CYLINDER HEAD GASKET	-
SPRING		TS-5710-115		TS-0702M	TS-5710-115L		WEAR PLATE GASKET	TS-1292257
INSERT (Urethane)		TS-7-WI		TS-7-MI	TS-7-FI		EXTENSION ROD SEAL	TS-1292182
INSERT (Rubber)		TS-7-WR		-	-		EXTENSION ROD BAFFLE	TS-1292194
PULLER HEAD		TS-HP1700-7		TS-01425	TS-RND7			
PISTON ROD & EXTENSION ROD								
ROD CLAMP	PISTON ROD STUD	PISTON NUT	THREADED TYPE PISTON ROD	CLAMP TYPE PISTON ROD	SUB ROD	THREADED TYPE EXTENSION ROD		CLAMP TYPE EXTENSION ROD
TM12P-03-08	-	TM-NUT	-	TM-258-A	TM-258-B	-		TM12P-01-06
FLUID END MODULE								
SUCTION MODULE STUDD		DISCHARGE MODULE STUDD		MODULE SEAL SET		STUDS & NUTS SET		
TS-1292362		TS-1292361		TM12P-SEALKIT		TM12PQ-STUDSETD TM12PQ-STUDSETS		

TSC does not warrant or represent that any of such information is accurate, or that any products listed are compatible with each other. Any deviations from the OEM products should be verified as to compatibility.

TSC Manufacturing and Supply LLC, 13788 West Road, Suite 100, Houston, Texas 77041, USA!



NATIONAL

12-P-160 (7500 PSI)

7-1/2 x 12

LINERS		ZIRCONIA LINERS	LINER GASKETS	PISTONS				PISTON RUBBERS
SIZE	PART NUMBER	PART NUMBER	PART NUMBER	URETHANE BONDED	RUBBER BONDED	N'DURALL BONDED	REPLACEABLE RUBBER	PART NUMBER
4"	TS-0259-40HP	TS-07466400	G-265 *	LLU-40-K15	LL-40-K15	HPW-40-K15	I-40-K15	TM-40-KR
4 1/2"	TS-0259-44HP	TS-07466450	G-265 *	LLU-44-B15	LL-44-B15	HPW-44-B15	I-44-B15	TM-44-BR
5"	TS-0259-50HP	TS-07466500	G-265 *	LLU-50-B15	LL-50-B15	HPW-50-B15	I-50-B15	TM-50-BR
5 1/2"	TS-0259-54HP	TS-07466550	G-263 *	LLU-54-B15	LL-54-B15	HPW-54-B15	I-54-B15	TM-54-BR
5 3/4"	TS-0259-56HP	TS-07466575	-	LLU-56-B15	LL-56-B15	HPW-56-B15	I-56-B15	TM-56-BR
6"	TS-0259-60HP	TS-07466600	G-261 *	LLU-60-B15	LL-60-B15	HPW-60-B15	I-60-B15	TM-60-BR
6 1/4"	TS-0259-62HP	TS-07466625	G-283 *	LLU-62-L15	LL-62-L15	HPW-62-L15	I-62-L15	TM-62-LR
6 1/2"	TS-0259-64HP	TS-07466650	G-284 *	LLU-64-L15	LL-64-L15	HPW-64-L15	I-64-L15	TM-64-LR
6 3/4"	TS-0259-66HP	TS-07466675	G-287 *	LLU-66-L15	LL-66-L15	HPW-66-L15	I-66-L15	TM-66-LR
7"	TS-0259-70HP	TS-07466700	G-285 *	LLU-70-L15	LL-70-L15	HPW-70-L15	I-70-L15	TM-70-LR
VALVES, SEATS, SPRINGS						GASKETS		
		4 WEB DESIGN	FULL OPEN	FULL OPEN (BONDED)				PART NUMBER
VALVE		TS-7-EEF	TS-0985M	TS-7-V2B	VALVE COVER GASKET			TS-P-129
VALVE (High Temperature)		-	-	TS-7-V2BH	CYLINDER HEAD GASKET			-
VALVE (High Performance)		-	-	TS-7-V2BP	WEAR PLATE GASKET			TS-1290344
SEAT		TS-7-DDB12	TS-1440M	TS-7-S12	EXTENSION ROD SEAL			TS-1292182
SPRING		TS-5710-115	TS-0702M	TS-5710-115L	EXTENSION ROD BAFFLE			TS-1292194
INSERT (Urethane)		TS-7-WI	TS-7-MI	-				
INSERT (Rubber)		TS-7-WR	-	-				
PULLER HEAD		TS-HP1700-7	TS-01425	TS-RND7				
PISTON ROD & EXTENSION ROD								
ROD CLAMP	PISTON ROD STUD	PISTON NUT	THREADED TYPE PISTON ROD	CLAMP TYPE PISTON ROD	SUB ROD	THREADED TYPE EXTENSION ROD		CLAMP TYPE EXTENSION ROD
TM12P-03-08	-	TM-NUT	-	TM-258-A	TM-258-B	-		TM12P-01-06
FLUID END MODULE								
SUCTION MODULE STUDDER		DISCHARGE MODULE STUDDER		MODULE SEAL SET		STUDS & NUTS SET		
TS-80704001		TS-80704000		TM12PHPM-SEALKIT		TM12PHPM-STUDSETD TM12PHPM-STUDSETS		

TSC does not warrant or represent that any of such information is accurate, or that any products listed are compatible with each other. Any deviations from the OEM products should be verified as to compatibility.

TSC Manufacturing and Supply LLC, 13788 West Road, Suite 100, Houston, Texas 77041, USA!



NATIONAL

14-P-220

9 x 14

LINERS		ZIRCONIA LINERS	LINER GASKETS	PISTONS				PISTON RUBBERS
SIZE	PART NUMBER	PART NUMBER	PART NUMBER	URETHANE BONDED	RUBBER BONDED	N'DURALL BONDED	REPLACEABLE RUBBER	PART NUMBER
5"	TS-0260-50HP	TS-07545500	G-265 *	LLU-50-B15	LL-50-B15	HPW-50-B15	I-50-B15	TM-50-BR
5 1/2"	TS-0260-54HP	TS-07545550	G-263 *	LLU-54-B15	LL-54-B15	HPW-54-B15	I-54-B15	TM-54-BR
5 3/4"	TS-0260-56HP		-	LLU-56-B15	LL-56-B15	HPW-56-B15	I-56-B15	TM-56-BR
6 "	TS-0260-60HP	TS-07545600	G-261 *	LLU-60-B15	LL-60-B15	HPW-60-B15	I-60-B15	TM-60-BR
6 1/4"	TS-0260-62HP	TS-07545625	G-283 *	LLU-62-L15	LL-62-L15	HPW-62-L15	I-62-L15	TM-62-LR
6 1/2"	TS-0260-64HP	TS-07545650	G-284 *	LLU-64-L15	LL-64-L15	HPW-64-L15	I-64-L15	TM-64-LR
6 3/4"	TS-0260-66HP	TS-07545675	G-287 *	LLU-66-L15	LL-66-L15	HPW-66-L15	I-66-L15	TM-66-LR
7"	TS-0260-70HP	TS-07545700	G-285 *	LLU-70-L15	LL-70-L15	HPW-70-L15	I-70-L15	TM-70-LR
7 1/4"	TS-0260-72HP	TS-07545725		LLU-72-L15	LL-72-L15	HPW-72-L15	I-72-L15	TM-72-LR
7 1/2"	TS-0260-74HP	TS-07545750		LLU-74-L15	LL-74-L15	HPW-74-L15	I-74-L15	TM-74-LR
VALVES, SEATS, SPRINGS						GASKETS		
		4 WEB DESIGN		FULL OPEN (BONDED)				PART NUMBER
	VALVE	TS-U5B-23		TS-8-V2B		VALVE COVER GASKET		TS-1540163
	VALVE (High Temperature)	-		TS-8-V2BH		CYLINDER HEAD GASKET		-
	VALVE (High Performance)	-		TS-8-V2BP		WEAR PLATE GASKET		TS-1295257
	SEAT	TS-8-DDB7		TS-8-S7		EXTENSION ROD SEAL		-
	SPRING	TS-5710-32		TS-0702M		EXTENSION ROD BAFFLE		TS-1292194
	INSERT (Urethane)	TS-8-WI		-				
	INSERT (Rubber)	TS-8-WR		-				
	PULLER HEAD	TS-HP1700-8		TS-01472				
PISTON ROD & EXTENSION ROD								
ROD CLAMP	PISTON ROD STUD	PISTON NUT	THREADED TYPE PISTON ROD	CLAMP TYPE PISTON ROD	SUB ROD	THREADED TYPE EXTENSION ROD		CLAMP TYPE EXTENSION ROD
TM14P-03-08	-	TM-NUT	-	TM-1295147	TS-1295146	-		TM14P-01-06
FLUID END MODULE								
SUCTION MODULE STUDED	DISCHARGE MODULE STUDED	MODULE SEAL SET			STUDS & NUTS SET			
TS-1295243	TS-1295240	TM14P-SEALKIT			TM14P-STUDSETD TM14P-STUDSETS			

TSC does not warrant or represent that any of such information is accurate, or that any products listed are compatible with each other. Any deviations from the OEM products should be verified as to compatibility.

TSC Manufacturing and Supply LLC, 13788 West Road, Suite 100, Houston, Texas 77041, USA!



OILWELL

A-350-PT

7 x 8

LINERS		LINER GASKETS	PISTONS				PISTON RUBBERS
SIZE	PART NUMBER	PART NUMBER	URETHANE BONDED	RUBBER BONDED	N'DURALL BONDED	REPLACEABLE RUBBER	PART NUMBER
4"	TS-0287-40HP	G-753 *	LLU-40-K15	LL-40-K15	HPW-40-K15	I-40-K15	TM-40-KR
4 1/2"	TS-0287-44HP	G-754 *	LLU-44-B15	LL-44-B15	HPW-44-B15	I-44-B15	TM-44-BR
5"	TS-0287-50HP	G-742 *	LLU-50-B15	LL-50-B15	HPW-50-B15	I-50-B15	TM-50-BR
5 1/2"	TS-0287-54HP	G-743 *	LLU-54-B15	LL-54-B15	HPW-54-B15	I-54-B15	TM-54-BR
5 3/4"	TS-0287-56HP	G-744 *	LLU-56-B15	LL-56-B15	HPW-56-B15	I-56-B15	TM-56-BR
6"	TS-0287-60HP	G-745 *	LLU-60-B15	LL-60-B15	HPW-60-B15	I-60-B15	TM-60-BR
6 1/4"	TS-0287-62HP	G-770 *	LLU-62-L15	LL-62-L15	HPW-62-L15	I-62-L15	TM-62-LR
6 1/2"	TS-0287-64HP	G-746 *	LLU-64-L15	LL-64-L15	HPW-64-L15	I-64-L15	TM-64-LR
7"	TS-0287-70HP	G-756 *	LLU-70-L15	LL-70-L15	HPW-70-L15	I-70-L15	TM-70-LR
VALVES, SEATS, SPRINGS					GASKETS		
	4 WEB DESIGN	FULL OPEN (1)	FULL OPEN (2)		PART NUMBER		
VALVE	TS-6-EH	TS-0995M	TS-6-V1	VALVE COVER GASKET	G-732 *		
SEAT	TS-6-ADDB6	TS-1380M	TS-6-S6	CYLINDER HEAD GASKET	-		
SPRING	TS-5710-115	TS-0701M	TS-5710-115	WEAR PLATE GASKET	G-754 *		
INSERT (Urethane)	TS-6-WI	TS-6-MI	TS-6-FI	EXTENSION ROD SEAL	-		
INSERT (Rubber)	TS-6-WR	-	TS-6-FR	EXTENSION ROD BAFFLE	-		
PULLER HEAD	TS-HP1700-6	-	TS-RND6		-		
PISTON ROD & EXTENSION ROD							
ROD CLAMP	PISTON ROD STUD	PISTON NUT	THREADED TYPE PISTON ROD	CLAMP TYPE PISTON ROD	SUB ROD	THREADED TYPE EXTENSION ROD	CLAMP TYPE EXTENSION ROD
TMA17-03-08	TM-283-D	TM-NUT	-	TM-283-C	TM-283-A	-	TMA35-01-06
FLUID END MODULE							
FLUID END MODULE STUDED				MODULE SEAL SET		STUDS & NUTS SET	
-				-		-	

TSC does not warrant or represent that any of such information is accurate, or that any products listed are compatible with each other. Any deviations from the OEM products should be verified as to compatibility.

TSC Manufacturing and Supply LLC, 13788 West Road, Suite 100, Houston, Texas 77041, USA!



OILWELL

A-560-PT

7 x 8

LINERS		LINER GASKETS	PISTONS				PISTON RUBBERS
SIZE	PART NUMBER	PART NUMBER	URETHANE BONDED	RUBBER BONDED	N'DURALL BONDED	REPLACEABLE RUBBER	PART NUMBER
4"	TS-0287-40HP	G-753 *	LLU-40-K15	LL-40-K15	HPW-40-K15	I-40-K15	TM-40-KR
4 1/2"	TS-0287-44HP	G-754 *	LLU-44-B15	LL-44-B15	HPW-44-B15	I-44-B15	TM-44-BR
5"	TS-0287-50HP	G-742 *	LLU-50-B15	LL-50-B15	HPW-50-B15	I-50-B15	TM-50-BR
5 1/2"	TS-0287-54HP	G-743 *	LLU-54-B15	LL-54-B15	HPW-54-B15	I-54-B15	TM-54-BR
5 3/4"	TS-0287-56HP	G-744 *	LLU-56-B15	LL-56-B15	HPW-56-B15	I-56-B15	TM-56-BR
6"	TS-0287-60HP	G-745 *	LLU-60-B15	LL-60-B15	HPW-60-B15	I-60-B15	TM-60-BR
6 1/4"	TS-0287-62HP	G-770 *	LLU-62-L15	LL-62-L15	HPW-62-L15	I-62-L15	TM-62-LR
6 1/2"	TS-0287-64HP	G-746 *	LLU-64-L15	LL-64-L15	HPW-64-L15	I-64-L15	TM-64-LR
7"	TS-0287-70HP	G-756 *	LLU-70-L15	LL-70-L15	HPW-70-L15	I-70-L15	TM-70-LR
VALVES, SEATS, SPRINGS					GASKETS		
	4 WEB DESIGN	FULL OPEN	FULL OPEN (BONDED)			PART NUMBER	
VALVE	TS-6-EH	TS-6-V1	TS-6-V2B	VALVE COVER GASKET		G-732 *	
VALVE (High Temperature)	-	-	TS-6-V2BH	CYLINDER HEAD GASKET		-	
VALVE (High Performance)	-	-	TS-6-V2BP	WEAR PLATE GASKET		G-754 *	
SEAT	TS-6-ADDB6	TS-6-S6	TS-6-S6	EXTENSION ROD SEAL		-	
SPRING	TS-5710-115	TS-5710-115	TS-5710-115	EXTENSION ROD BAFFLE		-	
INSERT (Urethane)	TS-6-WI	TS-6-FI	-				
INSERT (Rubber)	TS-6-WR	TS-6-FR	-				
PULLER HEAD	TS-HP1700-6	TS-01362	TS-RND6				
PISTON ROD & EXTENSION ROD							
ROD CLAMP	PISTON ROD STUD	PISTON NUT	THREADED TYPE PISTON ROD	CLAMP TYPE PISTON ROD	SUB ROD	THREADED TYPE EXTENSION ROD	CLAMP TYPE EXTENSION ROD
TMA56-03-08	TM-283-D	TM-NUT	-	TM-283-C	TM-283-A	-	TMA56-01-06
FLUID END MODULE							
FLUID END MODULE STUDED				MODULE SEAL SET		STUDS & NUTS SET	
-				-		-	

TSC does not warrant or represent that any of such information is accurate, or that any products listed are compatible with each other. Any deviations from the OEM products should be verified as to compatibility.

TSC Manufacturing and Supply LLC, 13788 West Road, Suite 100, Houston, Texas 77041, USA!



OILWELL

A-600-PT

7 x 8

LINERS		LINER GASKETS	PISTONS				PISTON RUBBER
SIZE	PART NUMBER	PART NUMBER	URETHANE BONDED	RUBBER BONDED	N'DURALL BONDED	REPLACEABLE RUBBER	PART NUMBER
4"	TS-0287-40HP	G-753 *	LLU-40-K15	LL-40-K15	HPW-40-K15	I-40-K15	TM-40-KR
4 1/2"	TS-0287-44HP	G-754 *	LLU-44-B15	LL-44-B15	HPW-44-B15	I-44-B15	TM-44-BR
5"	TS-0287-50HP	G-742 *	LLU-50-B15	LL-50-B15	HPW-50-B15	I-50-B15	TM-50-BR
5 1/2"	TS-0287-54HP	G-743 *	LLU-54-B15	LL-54-B15	HPW-54-B15	I-54-B15	TM-54-BR
5 3/4"	TS-0287-56HP	G-744 *	LLU-56-B15	LL-56-B15	HPW-56-B15	I-56-B15	TM-56-BR
6"	TS-0287-60HP	G-745 *	LLU-60-B15	LL-60-B15	HPW-60-B15	I-60-B15	TM-60-BR
6 1/4"	TS-0287-62HP	G-770 *	LLU-62-L15	LL-62-L15	HPW-62-L15	I-62-L15	TM-62-LR
6 1/2"	TS-0287-64HP	G-746 *	LLU-64-L15	LL-64-L15	HPW-64-L15	I-64-L15	TM-64-LR
7"	TS-0287-70HP	G-756 *	LLU-70-L15	LL-70-L15	HPW-70-L15	I-70-L15	TM-70-LR
VALVES, SEATS, SPRINGS				GASKETS			
	4 WEB DESIGN	FULL OPEN (1)	FULL OPEN (2)			PART NUMBER	
VALVE	TS-6-EH	TS-0995M	TS-6-V1	VALVE COVER GASKET		G-732 *	
SEAT	TS-6-ADDB6	TS-1380M	TS-6-S6	CYLINDER HEAD GASKET		-	
SPRING	TS-5710-115	TS-0701M	TS-5710-115	WEAR PLATE GASKET		G-754 *	
INSERT (Urethane)	TS-6-WI	TS-6-MI	TS-6-FI	EXTENSION ROD SEAL		-	
INSERT (Rubber)	TS-6-WR	-	TS-6-FR	EXTENSION ROD BAFFLE		-	
PULLER HEAD	TS-HP1700-6	-	TS-RND6				
PISTON ROD & EXTENSION ROD							
ROD CLAMP	PISTON ROD STUD	PISTON NUT	THREADED TYPE PISTON ROD	CLAMP TYPE PISTON ROD	SUB ROD	THREADED TYPE EXTENSION ROD	CLAMP TYPE EXTENSION ROD
TMA17-03-08	TM-283-D	TM-NUT	-	TM-283-C	TM-283-A	-	TMA35-01-06
FLUID END MODULE							
FLUID END MODULE STUDED			MODULE SEAL SET		STUDS & NUTS SET		
-			-		-		

TSC does not warrant or represent that any of such information is accurate, or that any products listed are compatible with each other. Any deviations from the OEM products should be verified as to compatibility.

TSC Manufacturing and Supply LLC, 13788 West Road, Suite 100, Houston, Texas 77041, USA!

OILWELL

A-850-PT

7-1/2 x 9

		LINERS		LINER GASKETS		PISTONS				PISTON RUBBERS	
SIZE	PART NUMBER	PART NUMBER	URETHANE BONDED	RUBBER BONDED	N'DURALL BONDED	REPLACEABLE RUBBER			PART NUMBER		
4"	TS-0285-40HP	G-753 *	LLU-40-K15	LL-40-K15	HPW-40-K15	I-40-K15			TM-40-KR		
4 1/2"	TS-0285-44HP	G-754 *	LLU-44-B15	LL-44-B15	HPW-44-B15	I-44-B15			TM-44-BR		
5"	TS-0285-50HP	G-742 *	LLU-50-B15	LL-50-B15	HPW-50-B15	I-50-B15			TM-50-BR		
5 1/2"	TS-0285-54HP	G-743 *	LLU-54-B15	LL-54-B15	HPW-54-B15	I-54-B15			TM-54-BR		
5 3/4"	TS-0289-56HP	G-744 *	LLU-56-B15	LL-56-B15	HPW-56-B15	I-56-B15			TM-56-BR		
6"	TS-0289-60HP	G-745 *	LLU-60-B15	LL-60-B15	HPW-60-B15	I-60-B15			TM-60-BR		
6 1/4"	TS-0289-62HP	G-770 *	LLU-62-L15	LL-62-L15	HPW-62-L15	I-62-L15			TM-62-LR		
6 1/2"	TS-0289-64HP	G-746 *	LLU-64-L15	LL-64-L15	HPW-64-L15	I-64-L15			TM-64-LR		
6 3/4"	TS-0289-66HP	G-755 *	LLU-66-L15	LL-66-L15	HPW-66-L15	I-66-L15			TM-66-LR		
7"	TS-0289-70HP	G-756 *	LLU-70-L15	LL-70-L15	HPW-70-L15	I-70-L15			TM-70-LR		
7 1/4"	TS-0289-72Cr	G-757 *	LLU-72-L15	LL-72-L15	HPW-72-L15	I-72-L15			TM-72-LR		
7 1/2"	TS-0289-74Cr	G-758 *	LLU-74-L15	LL-74-L15	HPW-74-L15	I-74-L15			TM-74-LR		
VALVES, SEATS, SPRINGS						GASKETS					
		4 WEB DESIGN		FULL OPEN	FULL OPEN (BONDED)					PART NUMBER	
VALVE		TS-7-EEF		TS-7-V1	TS-7-V2B	VALVE COVER GASKET				G-760 *	
VALVE (High Temperature)		-		-	TS-7-V2BH	CYLINDER HEAD GASKET				-	
VALVE (High Performance)		-		-	TS-7-V2BP	WEAR PLATE GASKET				G-742 *	
SEAT		TS-7-DDB1		TS-7-S1	TS-7-S1	EXTENSION ROD SEAL				TS-20-100-015	
SPRING		TS-5710-115		TS-5710-115L	TS-5710-115L	EXTENSION ROD BAFFLE				TS-204-0668	
INSERT (Urethane)		TS-7-WI		TS-7-FI	-						
INSERT (Rubber)		TS-7-WR		-	-						
PULLER HEAD		TS-HP1700-7		TS-RND7	TS-RND7						
PISTON ROD & EXTENSION ROD											
ROD CLAMP	PISTON ROD STUD	PISTON NUT	THREADED TYPE PISTON ROD	CLAMP TYPE PISTON ROD	SUB ROD	THREADED TYPE EXTENSION ROD		CLAMP TYPE EXTENSION ROD			
TMA17-03-08	TM-283-D	TM-NUT	-	TM-283-C	TM-283-A	-		TMA17-01-06			
FLUID END MODULE											
FLUID END MODULE STUDED				MODULE SEAL SET				STUDS & NUTS SET			
TS-10300181				TMA14-SEALKIT				TMA17-STUDSET			

TSC does not warrant or represent that any of such information is accurate, or that any products listed are compatible with each other. Any deviations from the OEM products should be verified as to compatibility.

TSC Manufacturing and Supply LLC, 13788 West Road, Suite 100, Houston, Texas 77041, USA!



OILWELL

A-1100-PT

7-1/2 x 10

LINERS		LINER GASKETS	PISTONS				PISTON RUBBERS
SIZE	PART NUMBER	PART NUMBER	URETHANE BONDED	RUBBER BONDED	N'DURALL BONDED	REPLACEABLE RUBBER	PART NUMBER
4"	TS-0289-40HP	G-753 *	LLU-40-K15	LL-40-K15	HPW-40-K15	I-40-K15	TM-40-KR
4 1/2"	TS-0289-44HP	G-754 *	LLU-44-B15	LL-44-B15	HPW-44-B15	I-44-B15	TM-44-BR
5"	TS-0289-50HP	G-742 *	LLU-50-B15	LL-50-B15	HPW-50-B15	I-50-B15	TM-50-BR
5 1/2"	TS-0289-54HP	G-743 *	LLU-54-B15	LL-54-B15	HPW-54-B15	I-54-B15	TM-54-BR
5 3/4"	TS-0289-56HP	G-744 *	LLU-56-B15	LL-56-B15	HPW-56-B15	I-56-B15	TM-56-BR
6"	TS-0289-60HP	G-745 *	LLU-60-B15	LL-60-B15	HPW-60-B15	I-60-B15	TM-60-BR
6 1/4"	TS-0289-62HP	G-770 *	LLU-62-L15	LL-62-L15	HPW-62-L15	I-62-L15	TM-62-LR
6 1/2"	TS-0289-64HP	G-746 *	LLU-64-L15	LL-64-L15	HPW-64-L15	I-64-L15	TM-64-LR
6 3/4"	TS-0289-66HP	G-755 *	LLU-66-L15	LL-66-L15	HPW-66-L15	I-66-L15	TM-66-LR
7"	TS-0289-70HP	G-756 *	LLU-70-L15	LL-70-L15	HPW-70-L15	I-70-L15	TM-70-LR
7 1/4"	TS-0289-72Cr	G-757 *	LLU-72-L15	LL-72-L15	HPW-72-L15	I-72-L15	TM-72-LR
7 1/2"	TS-0289-74Cr	G-758 *	LLU-74-L15	LL-74-L15	HPW-74-L15	I-74-L15	TM-74-LR
VALVES, SEATS, SPRINGS					GASKETS		
	4 WEB DESIGN	FULL OPEN	FULL OPEN (BONDED)				PART NUMBER
VALVE	TS-7-EEF	TS-7-V1	TS-7-V2B	VALVE COVER GASKET			G-760 *
VALVE (High Temperature)	-	-	TS-7-V2BH	CYLINDER HEAD GASKET			-
VALVE (High Performance)	-	-	TS-7-V2BP	WEAR PLATE GASKET			G-742 *
SEAT	TS-7-DDB1	TS-7-S1	TS-7-S1	EXTENSION ROD SEAL			TS-20-100-015
SPRING	TS-5710-115	TS-5710-115L	TS-5710-115L	EXTENSION ROD BAFFLE			TS-204-0668
INSERT (Urethane)	TS-7-WI	TS-7-FI	-				
INSERT (Rubber)	TS-7-WR	-	-				
PULLER HEAD	TS-HP1700-7	TS-RND7	TS-RND7				
PISTON ROD & EXTENSION ROD							
ROD CLAMP	PISTON ROD STUD	PISTON NUT	THREADED TYPE PISTON ROD	CLAMP TYPE PISTON ROD	SUB ROD	THREADED TYPE EXTENSION ROD	CLAMP TYPE EXTENSION ROD
TMA17-03-08	TM-283-D	TM-NUT	-	TM-283-C	TM-283-A	-	TMA17-01-06
FLUID END MODULE							
FLUID END MODULE STUDDED				MODULE SEAL SET		STUDS & NUTS SET	
TS-10300181				TMA14-SEALKIT		TMA17-STUDSET	

TSC does not warrant or represent that any of such information is accurate, or that any products listed are compatible with each other. Any deviations from the OEM products should be verified as to compatibility.

TSC Manufacturing and Supply LLC, 13788 West Road, Suite 100, Houston, Texas 77041, USA!



OILWELL

A-1400-PT

7-1/2 x 10

LINERS		ZIRCONIA LINERS	LINER GASKETS	PISTONS				PISTON RUBBERS
SIZE	PART NUMBER	PART NUMBER	PART NUMBER	URETHANE BONDED	RUBBER BONDED	N'DURALL BONDED	REPLACEABLE RUBBER	PART NUMBER
4 1/2"	TS-0284-44HP	TS-07326450	G-754 *	LLU-44-B15	LL-44-B15	HPW-44-B15	I-44-B15	TM-44-BR
5"	TS-0284-50HP	TS-07326500	G-742 *	LLU-50-B15	LL-50-B15	HPW-50-B15	I-50-B15	TM-50-BR
5 1/2"	TS-0284-54HP	TS-07326550	G-743 *	LLU-54-B15	LL-54-B15	HPW-54-B15	I-54-B15	TM-54-BR
5 3/4"	TS-0284-56HP	TS-07326575	G-744 *	LLU-56-B15	LL-56-B15	HPW-56-B15	I-56-B15	TM-56-BR
6"	TS-0284-60HP	TS-07326600	G-745 *	LLU-60-B15	LL-60-B15	HPW-60-B15	I-60-B15	TM-60-BR
6 1/4"	TS-0284-62HP	TS-07326625	G-770 *	LLU-62-L15	LL-62-L15	HPW-62-L15	I-62-L15	TM-62-LR
6 1/2"	TS-0284-64HP	TS-07326650	G-746 *	LLU-64-L15	LL-64-L15	HPW-64-L15	I-64-L15	TM-64-LR
6 3/4"	TS-0284-66HP	TS-07326675	G-755 *	LLU-66-L15	LL-66-L15	HPW-66-L15	I-66-L15	TM-66-LR
7"	TS-0284-70HP	TS-07326700	G-756 *	LLU-70-L15	LL-70-L15	HPW-70-L15	I-70-L15	TM-70-LR
7 1/4"	TS-0284-72Cr	TS-07326725	G-757 *	LLU-72-L15	LL-72-L15	HPW-72-L15	I-72-L15	TM-72-LR
7 1/2"	TS-0284-74Cr	TS-07326750	G-758 *	LLU-74-L15	LL-74-L15	HPW-74-L15	I-74-L15	TM-74-LR
VALVES, SEATS, SPRINGS						GASKETS		
		4 WEB DESIGN	FULL OPEN	FULL OPEN (BONDED)				PART NUMBER
VALVE		TS-7-EEF	TS-7-V1	TS-7-V2B	VALVE COVER GASKET			G-760 *
VALVE (High Temperature)		-	-	TS-7-V2BH	CYLINDER HEAD GASKET			-
VALVE (High Performance)		-	-	TS-7-V2BP	WEAR PLATE GASKET			G-742 *
SEAT		TS-7-DDB1	TS-7-S1	TS-7-S1	EXTENSION ROD SEAL			TS-20-100-015
SPRING		TS-5710-115	TS-5710-115L	TS-5710-115L	EXTENSION ROD BAFFLE			TS-204-0668
INSERT (Urethane)		TS-7-WI	TS-7-FI	-				
INSERT (Rubber)		TS-7-WR	-	-				
PULLER HEAD		TS-HP1700-7	TS-RND7	TS-RND7				
PISTON ROD & EXTENSION ROD								
ROD CLAMP	PISTON ROD STUD	PISTON NUT	THREADED TYPE PISTON ROD	CLAMP TYPE PISTON ROD	SUB ROD	THREADED TYPE EXTENSION ROD		CLAMP TYPE EXTENSION ROD
TMA17-03-08	TM-283D	TM-NUT	-	TM-283-C	TM-283-A	-		TMA17-01-06
FLUID END MODULE								
FLUID END MODULE STUDDED				MODULE SEAL SET		STUDS & NUTS SET		
TS-10300181				TMA17-SEALKIT		TMA17-STUDSET		

TSC does not warrant or represent that any of such information is accurate, or that any products listed are compatible with each other. Any deviations from the OEM products should be verified as to compatibility.

TSC Manufacturing and Supply LLC, 13788 West Road, Suite 100, Houston, Texas 77041, USA!



OILWELL

A-1700-PT

7-1/2 x 12

LINERS		ZIRCONIA LINERS	LINER GASKETS	PISTONS				PISTON RUBBERS
SIZE	PART NUMBER	PART NUMBER	PART NUMBER	URETHANE BONDED	RUBBER BONDED	N'DURALL BONDED	REPLACEABLE RUBBER	PART NUMBER
4 1/2"	TS-0284-44HP	TS-07326450	G-754 *	LLU-44-B15	LL-44-B15	HPW-44-B15	I-44-B15	TM-44-BR
5"	TS-0284-50HP	TS-07326500	G-742 *	LLU-50-B15	LL-50-B15	HPW-50-B15	I-50-B15	TM-50-BR
5 1/2"	TS-0284-54HP	TS-07326550	G-743 *	LLU-54-B15	LL-54-B15	HPW-54-B15	I-54-B15	TM-54-BR
5 3/4"	TS-0284-56HP	TS-07326575	G-744 *	LLU-56-B15	LL-56-B15	HPW-56-B15	I-56-B15	TM-56-BR
6"	TS-0284-60HP	TS-07326600	G-745 *	LLU-60-B15	LL-60-B15	HPW-60-B15	I-60-B15	TM-60-BR
6 1/4"	TS-0284-62HP	TS-07326625	G-770 *	LLU-62-L15	LL-62-L15	HPW-62-L15	I-62-L15	TM-62-LR
6 1/2"	TS-0284-64HP	TS-07326650	G-746 *	LLU-64-L15	LL-64-L15	HPW-64-L15	I-64-L15	TM-64-LR
6 3/4"	TS-0284-66HP	TS-07326675	G-755 *	LLU-66-L15	LL-66-L15	HPW-66-L15	I-66-L15	TM-66-LR
7"	TS-0284-70HP	TS-07326700	G-756 *	LLU-70-L15	LL-70-L15	HPW-70-L15	I-70-L15	TM-70-LR
7 1/4"	TS-0284-72Cr	TS-07326725	G-757 *	LLU-72-L15	LL-72-L15	HPW-72-L15	I-72-L15	TM-72-LR
7 1/2"	TS-0284-74Cr	TS-07326750	G-758 *	LLU-74-L15	LL-74-L15	HPW-74-L15	I-74-L15	TM-74-LR
VALVES, SEATS, SPRINGS						GASKETS		
		4 WEB DESIGN	FULL OPEN	FULL OPEN (BONDED)				PART NUMBER
VALVE		TS-7-EEF	TS-7-V1	TS-7-V2B	VALVE COVER GASKET			G-760 *
VALVE (High Temperature)		-	-	TS-7-V2BH	CYLINDER HEAD GASKET			-
ALVE (High Performance)		-	-	TS-7-V2BP	WEAR PLATE GASKET			G-742 *
SEAT		TS-7-DDB1	TS-7-S1	TS-7-S1	EXTENSION ROD SEAL			TS-20-100-015
SPRING		TS-5710-115	TS-5710-115L	TS-5710-115L	EXTENSION ROD BAFFLE			TS-204-0668
INSERT (Urethane)		TS-7-WI	TS-7-FI	-				
INSERT (Rubber)		TS-7-WR	-	-				
PULLER HEAD		TS-HP1700-7	TS-RND7	TS-RND7				
PISTON ROD & EXTENSION ROD								
ROD CLAMP	PISTON ROD STUD	PISTON NUT	THREADED TYPE PISTON ROD	CLAMP TYPE PISTON ROD	SUB ROD	THREADED TYPE EXTENSION ROD		CLAMP TYPE EXTENSION ROD
TMA17-03-08	TM-283D	TM-NUT	-	TM-283-C	TM-283-A	-		TMA17-01-06
FLUID END MODULE								
FLUID END MODULE STUDDER			MODULE SEAL SET			STUDS & NUTS SET		
TS-10300181			TMA17-SEALKIT			TMA17-STUDSET		

TSC does not warrant or represent that any of such information is accurate, or that any products listed are compatible with each other. Any deviations from the OEM products should be verified as to compatibility.

TSC Manufacturing and Supply LLC, 13788 West Road, Suite 100, Houston, Texas 77041, USA!



OPI

700-DHL

7 x 8

LINERS		LINER GASKETS	PISTONS				PISTON RUBBERS
SIZE	PART NUMBER	PART NUMBER	URETHANE BONDED	RUBBER BONDED	N'DURALL BONDED	REPLACEABLE RUBBER	PART NUMBER
4"	TS-0481-40HP	G-753	LLU-40-K15	LL-40-K15	HPW-40-K15	I-40-K15	TM-40-KR
4 1/2"	TS-0481-44HP	G-754	LLU-44-B15	LL-44-B15	HPW-44-B15	I-44-B15	TM-44-BR
5"	TS-0481-50HP	G-742	LLU-50-B15	LL-50-B15	HPW-50-B15	I-50-B15	TM-50-BR
5 1/2"	TS-0481-54HP	G-743	LLU-54-B15	LL-54-B15	HPW-54-B15	I-54-B15	TM-54-BR
5 3/4"	TS-0481-56HP	G-744	LLU-56-B15	LL-56-B15	HPW-56-B15	I-56-B15	TM-56-BR
6"	TS-0481-60HP	G-745	LLU-60-B15	LL-60-B15	HPW-60-B15	I-60-B15	TM-60-BR
6 1/4"	TS-0481-62HP	-	LLU-62-L15	LL-62-L15	HPW-62-L15	I-62-L15	TM-62-LR
6 1/2"	TS-0481-64HP	G-746	LLU-64-L15	LL-64-L15	HPW-64-L15	I-64-L15	TM-64-LR
6 3/4"	TS-0481-66HP	G-755	LLU-66-L15	LL-66-L15	HPW-66-L15	I-66-L15	TM-66-LR
7"	TS-0481-70HP	G-756	LLU-70-L15	LL-70-L15	HPW-70-L15	I-70-L15	TM-70-LR
VALVES, SEATS, SPRINGS					GASKETS		
	4 WEB DESIGN	FULL OPEN (1)	FULL OPEN (2)			PART NUMBER	
VALVE	TS-6-EH	TS-0995M	TS-6-V1	VALVE COVER GASKET	G-745 *		
SEAT	TS-6-ADDB6	TS-1380M	TS-6-S6	CYLINDER HEAD GASKET	-		
SPRING	TS-5710-115	TS-0701M	TS-5710-115	WEAR PLATE GASKET	-		
INSERT (Urethane)	TS-6-WI	TS-6-MI	TS-6-FI	EXTENSION ROD SEAL	-		
INSERT (Rubber)	TS-6-WR	-	TS-6-FR	EXTENSION ROD BAFFLE	-		
PULLER HEAD	TS-HP1700-6	-	TS-RND6				
PISTON ROD & EXTENSION ROD							
ROD CLAMP	PISTON ROD STUD	PISTON NUT	THREADED TYPE PISTON ROD	CLAMP TYPE PISTON ROD	SUB ROD	THREADED TYPE EXTENSION ROD	CLAMP TYPE EXTENSION ROD
-	-	-	-	-	-	-	-
FLUID END MODULE							
FLUID END MODULE STUDED				MODULE SEAL SET		STUDS & NUTS SET	
-				-		-	

TSC does not warrant or represent that any of such information is accurate, or that any products listed are compatible with each other. Any deviations from the OEM products should be verified as to compatibility.

TSC Manufacturing and Supply LLC, 13788 West Road, Suite 100, Houston, Texas 77041, USA!



BOMCO

F-500

6-3/4 x 7-1/2

	LINERS	LINER GASKETS	PISTONS				PISTON RUBBERS
SIZE	PART NUMBER	PART NUMBER	URETHANE BONDED	RUBBER BONDED	N'DURALL BONDED	REPLACEABLE RUBBER	PART NUMBER
4"	TS-0146-40HP	G-281 *	LLU-40-K10	LL-40-K10	HPW-40-K10	I-40-K10	TM-40-KR
4 1/2"	TS-0146-44HP	G-281 *	LLU-44-B10	LL-44-B10	HPW-44-B10	I-44-B10	TM-44-BR
5"	TS-0146-50HP	G-281 *	LLU-50-B10	LL-50-B10	HPW-50-B10	I-50-B10	TM-50-BR
5 1/2"	TS-0146-54HP	G-281 *	LLU-54-B10	LL-54-B10	HPW-54-B10	I-54-B10	TM-54-BR
5 3/4"	TS-0146-56HP	G-281 *	LLU-56-B10	LL-56-B10	HPW-56-B10	I-56-B10	TM-56-BR
6"	TS-0146-60HP	G-281 *	LLU-60-B10	LL-60-B10	HPW-60-B10	I-60-B10	TM-60-BR
6 1/4"	TS-0146-62HP	G-281 *	LLU-62-L10	LL-62-L10	HPW-62-L10	I-62-L10	TM-62-LR
6 1/2"	TS-0146-64HP	G-281 *	LLU-64-L10	LL-64-L10	HPW-64-L10	I-64-L10	TM-64-LR
6 3/4"	TS-0146-66Cr	G-281 *	LLU-66-L10	LL-66-L10	HPW-66-L10	I-66-L10	TM-66-LR
VALVES, SEATS, SPRINGS					GASKETS		
	4 WEB DESIGN	FULL OPEN			PART NUMBER		
VALVE	TS-5-M5B5	TS-5-V1		VALVE COVER GASKET	G-733		
SEAT	TS-5-DDB1	TS-5-S1		CYLINDER HEAD GASKET	G-281		
SPRING	TS-5710-111	TS-5710-111		EXTENSION ROD BAFFLE	-		
INSERT (Urethane)	TS-5-WI	TS-5-FI					
INSERT (Rubber)	-	-					
PULLER HEAD	TS-03550	TS-01328					
PISTON ROD & EXTENSION ROD							
ROD CLAMP	PISTON NUT	CLAMP TYPE PISTON ROD	SUB ROD	THREADED TYPE EXTENSION ROD	CLAMP TYPE EXTENSION ROD		
TMF05-03-08	TM-NUT1	TM-146	-	-	TMF05-01-06		
FLUID END MODULE							
FLUID END MODULE STUDED		MODULE SEAL SET		STUDS & NUTS SET			
TS-6318-0151-00		TMF05-SEALKIT		TMF05-STUDSSET			

TSC does not warrant or represent that any of such information is accurate, or that any products listed are compatible with each other. Any deviations from the OEM products should be verified as to compatibility.

TSC Manufacturing and Supply LLC, 13788 West Road, Suite 100, Houston, Texas 77041, USA!

BOMCO

F-800

7 x 9

LINERS		ZIRCONIA LINERS	LINER GASKETS	PISTONS				PISTON RUBBERS
SIZE	PART NUMBER	PART NUMBER	PART NUMBER	URETHANE BONDED	RUBBER BONDED	N'DURALL BONDED	REPLACEABLE RUBBER	PART NUMBER
4"	TS-0148-40HP	TS-07495400	G-282 *	LLU-40-K15	LL-40-K15	HPW-40-K15	I-40-K15	TM-40-KR
4 1/2"	TS-0148-44HP	TS-07495450	G-282 *	LLU-44-B15	LL-44-B15	HPW-44-B15	I-44-B15	TM-44-BR
5"	TS-0148-50HP	TS-07495500	G-282 *	LLU-50-B15	LL-50-B15	HPW-50-B15	I-50-B15	TM-50-BR
5 1/2"	TS-0148-54HP	TS-07495550	G-282 *	LLU-54-B15	LL-54-B15	HPW-54-B15	I-54-B15	TM-54-BR
5 3/4"	TS-0148-56HP	TS-07499575	G-282 *	LLU-56-B15	LL-56-B15	HPW-56-B15	I-56-B15	TM-56-BR
6"	TS-0148-60HP	TS-07495600	G-282 *	LLU-60-B15	LL-60-B15	HPW-60-B15	I-60-B15	TM-60-BR
6 1/4"	TS-0148-62HP	TS-07495625	G-282 *	LLU-62-L15	LL-62-L15	HPW-62-L15	I-62-L15	TM-62-LR
6 1/2"	TS-0148-64HP	TS-07495650	G-282 *	LLU-64-L15	LL-64-L15	HPW-64-L15	I-64-L15	TM-64-LR
6 3/4"	TS-0148-66HP	TS-07495675	G-282 *	LLU-66-L15	LL-66-L15	HPW-66-L15	I-66-L15	TM-66-LR
7"	TS-0148-70Cr		G-282 *	LLU-70-L15	LL-70-L15	HPW-70-L15	I-70-L15	TM-70-LR
VALVES, SEATS, SPRINGS						GASKETS		
	4 WEB DESIGN		FULL OPEN (1)	FULL OPEN (2)			PART NUMBER	
VALVE	TS-6-EH		TS-0995M	TS-6-V1	VALVE COVER GASKET		G-740 *	
SEAT	TS-6-ADDB6		TS-1380M	TS-6-S6	CYLINDER HEAD GASKET		G-282 *	
SPRING	TS-5710-115		TS-0701M	TS-5710-115	WEAR PLATE GASKET		-	
INSERT (Urethane)	TS-6-WI		TS-6-MI	TS-6-FI	EXTENSION ROD SEAL		TS-6305-0071-00	
INSERT (Rubber)	TS-6-WR		-	TS-6-FR	EXTENSION ROD BAFFLE		TS-6320-0028-00	
PULLER HEAD	TS-HP1700-6		-	TS-RND6				
PISTON ROD & EXTENSION ROD								
ROD CLAMP	PISTON ROD STUD	PISTON NUT	THREADED TYPE PISTON ROD	CLAMP TYPE PISTON ROD	SUB ROD	THREADED TYPE EXTENSION ROD	CLAMP TYPE EXTENSION ROD	
TMF08-03-08	-	TM-NUT	-	TM-150	-	-	TMF08-01-06	
FLUID END MODULE								
FLUID END MODULE STUDED				MODULE SEAL SET		STUDS & NUTS SET		
TS-6999-0086-02B				TMF10-SEALKIT		TMBJ10-STUDSET		

TSC does not warrant or represent that any of such information is accurate, or that any products listed are compatible with each other. Any deviations from the OEM products should be verified as to compatibility.

TSC Manufacturing and Supply LLC, 13788 West Road, Suite 100, Houston, Texas 77041, USA!



BOMCO

F-1000

7 x 9

	LINERS		ZIRCONIA LINERS	LINER GASKETS	PISTONS				PISTON RUBBERS
SIZE	PART NUMBER	PART NUMBER	PART NUMBER	URETHANE BONDED	RUBBER BONDED	N'DURALL BONDED	REPLACEABLE RUBBER	PART NUMBER	
4"	TS-0148-40HP	TS-07495400	G-282 *	LLU-40-K15	LL-40-K15	HPW-40-K15	I-40-K15	TM-40-KR	
4 1/2"	TS-0148-44HP	TS-07495450	G-282 *	LLU-44-B15	LL-44-B15	HPW-44-B15	I-44-B15	TM-44-BR	
5"	TS-0148-50HP	TS-07495500	G-282 *	LLU-50-B15	LL-50-B15	HPW-50-B15	I-50-B15	TM-50-BR	
5 1/2"	TS-0148-54HP	TS-07495550	G-282 *	LLU-54-B15	LL-54-B15	HPW-54-B15	I-54-B15	TM-54-BR	
5 3/4"	TS-0148-56HP	TS-07499575	G-282 *	LLU-56-B15	LL-56-B15	HPW-56-B15	I-56-B15	TM-56-BR	
6"	TS-0148-60HP	TS-07495600	G-282 *	LLU-60-B15	LL-60-B15	HPW-60-B15	I-60-B15	TM-60-BR	
6 1/4"	TS-0148-62HP	TS-07495625	G-282 *	LLU-62-L15	LL-62-L15	HPW-62-L15	I-62-L15	TM-62-LR	
6 1/2"	TS-0148-64HP	TS-07495650	G-282 *	LLU-64-L15	LL-64-L15	HPW-64-L15	I-64-L15	TM-64-LR	
6 3/4"	TS-0148-66HP	TS-07495675	G-282 *	LLU-66-L15	LL-66-L15	HPW-66-L15	I-66-L15	TM-66-LR	
7"	TS-0148-70Cr		G-282 *	LLU-70-L15	LL-70-L15	HPW-70-L15	I-70-L15	TM-70-LR	
VALVES, SEATS, SPRINGS						GASKETS			
	4 WEB DESIGN			FULL OPEN (1)	FULL OPEN (2)			PART NUMBER	
VALVE	TS-6-EH			TS-0995M	TS-6-V1	VALVE COVER GASKET		G-740	
SEAT	TS-6-ADDB6			TS-1380M	TS-6-S6	CYLINDER HEAD GASKET		G-282	
SPRING	TS-5710-115			TS-0701M	TS-5710-115	WEAR PLATE GASKET		-	
INSERT (Urethane)	TS-6-WI			TS-6-MI	TS-6-FI	EXTENSION ROD SEAL		TS-7602-2132-75	
INSERT (Urethane)	-			-	-	EXTENSION ROD BAFFLE		TS-6319-0070-00	
PULLER HEAD	TS-HP1700-6				TS-RND6				
PISTON ROD & EXTENSION ROD									
ROD CLAMP	PISTON ROD STUD	PISTON NUT	THREADED TYPE PISTON ROD	CLAMP TYPE PISTON ROD	SUB ROD	THREADED TYPE EXTENSION ROD	CLAMP TYPE EXTENSION ROD		
TMF10-03-08	-	TM-NUT	-	TM-148	-	-	TMF10-01-06		
FLUID END MODULE									
FLUID END MODULE STUDED				MODULE SEAL SET		STUDS & NUTS SET			
TS-6999-0086-02B				TMF10-SEALKIT		TMBJ10-STUDSET			

TSC does not warrant or represent that any of such information is accurate, or that any products listed are compatible with each other. Any deviations from the OEM products should be verified as to compatibility.

TSC Manufacturing and Supply LLC, 13788 West Road, Suite 100, Houston, Texas 77041, USA!



BOMCO

F-1300

7 x 12

SIZE	LINERS	ZIRCONIA LINERS	LINER GASKETS	PISTONS				PISTON RUBBERS
	PART NUMBER	PART NUMBER	PART NUMBER	URETHANE BONDED	RUBBER BONDED	N'DURALL BONDED	REPLACEABLE RUBBER	PART NUMBER
4"	TS-2145-40HP	TS-07499400	G-800 *	LLU-40-K15	LL-40-K15	HPW-40-K15	I-40-K15	TM-40-KR
4 1/2"	TS-2145-44HP	TS-07499450	G-800 *	LLU-44-B15	LL-44-B15	HPW-44-B15	I-44-B15	TM-44-BR
5"	TS-2145-50HP	TS-07499500	G-800 *	LLU-50-B15	LL-50-B15	HPW-50-B15	I-50-B15	TM-50-BR
5 1/2"	TS-2145-54HP	TS-07499550	G-800 *	LLU-54-B15	LL-54-B15	HPW-54-B15	I-54-B15	TM-54-BR
5 3/4"	TS-2145-56HP	TS-07499575	G-800 *	LLU-56-B15	LL-56-B15	HPW-56-B15	I-56-B15	TM-56-BR
6"	TS-2145-60HP	TS-07499600	G-800 *	LLU-60-B15	LL-60-B15	HPW-60-B15	I-60-B15	TM-60-BR
6 1/4"	TS-2145-62HP	TS-07499625	G-800 *	LLU-62-L15	LL-62-L15	HPW-62-L15	I-62-L15	TM-62-LR
6 1/2"	TS-2145-64HP	TS-07499650	G-800 *	LLU-64-L15	LL-64-L15	HPW-64-L15	I-64-L15	TM-64-LR
6 3/4"	TS-2145-66HP	TS-07499675	G-800 *	LLU-66-L15	LL-66-L15	HPW-66-L15	I-66-L15	TM-66-LR
7"	TS-2145-70HP	TS-07499700	G-800 *	LLU-70-L15	LL-70-L15	HPW-70-L15	I-70-L15	TM-70-LR
VALVES, SEATS, SPRINGS						GASKETS		
	4 WEB DESIGN	FULL OPEN	FULL OPEN (BONDED)					PART NUMBER
VALVE	TS-7-EEF	TS-7-V1	TS-7-V2B					VALVE COVER GASKET G-741 *
VALVE (High Temperature)	-	-	TS-7-V2BH					CYLINDER HEAD GASKET G-801 *
VALVE (High Performance)	-	-	TS-7-V2BP					WEAR PLATE GASKET G-800 *
SEAT	TS-7-DDB1	TS-7-S1	TS-7-S1					
SPRING	TS-5710-115	TS-5710-115L	TS-5710-115L					
INSERT (Urethane)	TS-7-WI	TS-7-FI	-					
PULLER HEAD	TS-HP1700-7	TS-RND7	TS-RND7					
PISTON ROD & EXTENSION ROD								
	ROD CLAMP	PISTON NUT	PISTON ROD	EXTENSION ROD				
	TMFB6-03-08	TM-NUT	TM-2145	TMF16-01-06				
FLUID END MODULE								
	FLUID END MODULE STUDED	MODULE SEAL SET	STUDS & NUTS SET					
	TS-6316-0357-00B	TMFB6-SEALKIT	TMBJ16-STUDSET					

TSC does not warrant or represent that any of such information is accurate, or that any products listed are compatible with each other. Any deviations from the OEM products should be verified as to compatibility.

TSC Manufacturing and Supply LLC, 13788 West Road, Suite 100, Houston, Texas 77041, USA!



BOMCO

F-1600

7 x 12

LINERS		ZIRCONIA LINERS	LINER GASKETS	PISTONS				PISTON RUBBERS
SIZE	PART NUMBER	PART NUMBER	PART NUMBER	URETHANE BONDED	RUBBER BONDED	N'DURALL BONDED	REPLACEABLE RUBBER	PART NUMBER
4"	TS-2145-40HP	TS-07499400	G-800 *	LLU-40-K15	LL-40-K15	HPW-40-K15	I-40-K15	TM-40-KR
4 1/2"	TS-2145-44HP	TS-07499450	G-800 *	LLU-44-B15	LL-44-B15	HPW-44-B15	I-44-B15	TM-44-BR
5"	TS-2145-50HP	TS-07499500	G-800 *	LLU-50-B15	LL-50-B15	HPW-50-B15	I-50-B15	TM-50-BR
5 1/2"	TS-2145-54HP	TS-07499550	G-800 *	LLU-54-B15	LL-54-B15	HPW-54-B15	I-54-B15	TM-54-BR
5 3/4"	TS-2145-56HP	TS-07499575	G-800 *	LLU-56-B15	LL-56-B15	HPW-56-B15	I-56-B15	TM-56-BR
6"	TS-2145-60HP	TS-07499600	G-800 *	LLU-60-B15	LL-60-B15	HPW-60-B15	I-60-B15	TM-60-BR
6 1/4"	TS-2145-62HP	TS-07499625	G-800 *	LLU-62-L15	LL-62-L15	HPW-62-L15	I-62-L15	TM-62-LR
6 1/2"	TS-2145-64HP	TS-07499650	G-800 *	LLU-64-L15	LL-64-L15	HPW-64-L15	I-64-L15	TM-64-LR
6 3/4"	TS-2145-66HP	TS-07499675	G-800 *	LLU-66-L15	LL-66-L15	HPW-66-L15	I-66-L15	TM-66-LR
7"	TS-2145-70HP	TS-07499700	G-800 *	LLU-70-L15	LL-70-L15	HPW-70-L15	I-70-L15	TM-70-LR
VALVES, SEATS, SPRINGS						GASKETS		
	4 WEB DESIGN	FULL OPEN	FULL OPEN (BONDED)					PART NUMBER
VALVE	TS-7-EEF	TS-7-V1	TS-7-V2B			VALVE COVER GASKET		G-741 *
VALVE (High Temperature)	-	-	TS-7-V2BH			CYLINDER HEAD GASKET		G-801 *
VALVE (High Performance)	-	-	TS-7-V2BP			WEAR PLATE GASKET		G-800 *
SEAT	TS-7-DDB1	TS-7-S1	TS-7-S1					
SPRING	TS-5710-115	TS-5710-115L	TS-5710-115L					
INSERT (Rubber)	TS-7-WI	TS-7-FI	-					
PULLER HEAD	TS-HP1700-7	TS-RND7	TS-RND7					
PISTON ROD & EXTENSION ROD								
	ROD CLAMP		PISTON NUT		PISTON ROD		EXTENSION ROD	
	TMFB6-03-08		TM-NUT		TM-2145		TMF16-01-06	
FLUID END MODULE								
	FLUID END MODULE STUDDER				MODULE SEAL SET		STUDS & NUTS SET	
	TS-6316-0357-00B				TMFB6-SEALKIT		TMBJ16-STUDSET	

TSC does not warrant or represent that any of such information is accurate, or that any products listed are compatible with each other. Any deviations from the OEM products should be verified as to compatibility.

TSC Manufacturing and Supply LLC, 13788 West Road, Suite 100, Houston, Texas 77041, USA!



LANSHI

3NB-1000C

	LINERS		LINER GASKETS	PISTONS			PISTON RUBBERS
SIZE	PART NUMBER	PART NUMBER	URETHANE BONDED	RUBBER BONDED	N'DURALL BONDED	REPLACEABLE RUBBER	PART NUMBER
4 1/2"	TS-4255-44HP	G-274 *	LLU-44-B15	LL-44-B15	HPW-44-B15	I-44-B15	TM-44-KR
5"	TS-4255-50HP	G-265 *	LLU-50-B15	LL-50-B15	HPW-50-B15	I-50-B15	TM-50-BR
5 1/2"	TS-4255-54HP	G-263 *	LLU-54-B15	LL-54-B15	HPW-54-B15	I-54-B15	TM-54-BR
5 3/4"	TS-4255-56HP	-	LLU-56-B15	LL-56-B15	HPW-56-B15	I-56-B15	TM-56-BR
6"	TS-4255-60HP	G-261 *	LLU-60-B15	LL-60-B15	HPW-60-B15	I-60-B15	TM-60-BR
6 1/4"	TS-4255-62HP	-	LLU-62-L15	LL-62-L15	HPW-62-L15	I-62-L15	TM-62-BR
6 1/2"	TS-4255-64HP	G-283 *	LLU-64-L15	LL-64-L15	HPW-64-L15	I-64-L15	TM-64-LR
6 3/4"	TS-4255-66HP	-	LLU-66-L15	LL-66-L15	HPW-66-L15	I-66-L15	TM-66-LR
7"	TS-4255-70HP	-	LLU-70-L15	LL-70-L15	HPW-70-L15	I-70-L15	TM-70-LR
VALVES, SEATS, SPRINGS					GASKETS		
	4 WEB DESIGN		FULL OPEN (1)	FULL OPEN (2)		PART NUMBER	
VALVE	TS-6-EH		TS-0995M	TS-6-V1	VALVE COVER GASKET	TS-107.04.110.55	
SEAT	TS-6-ADDB6		TS-1380M	TS-6-S6	CYLINDER HEAD GASKET	TS-107.14.110.13	
SPRING	TS-5710-115		-	TS-5710-115L	WEAR PLATE GASKET	TS-107.04.09	
INSERT (Urethane)	TS-6-WI		TS-6-MI	TS-6-FI	EXTENSION ROD SEAL	TS-107.11.97.00	
INSERT (Rubber)	TS-7-WR		-	TS-6-FR	EXTENSION ROD BAFFLE	TS-107.11.70.00	
PULLER HEAD	TS-HP1700-6		-	TS-RND6			
PISTON ROD & EXTENSION ROD							
ROD CLAMP	PISTON NUT	THREADED TYPE PISTON ROD	CLAMP TYPE PISTON ROD	SUB ROD	THREADED TYPE EXTENSION ROD	CLAMP TYPE EXTENSION ROD	
TS-107.14.125.00	TS-107.04.120.00	-	TS-107.11.110.39	-	-	TS-107.11.01.02	
FLUID END MODULE							
FLUID END MODULE STUDDED			MODULE SEAL SET		STUDS & NUTS SET		
TS-107.14.110.14			TMNB10-SEALKIT		TMNB10-STUDSET		

TSC does not warrant or represent that any of such information is accurate, or that any products listed are compatible with each other. Any deviations from the OEM products should be verified as to compatibility.

TSC Manufacturing and Supply LLC, 13788 West Road, Suite 100, Houston, Texas 77041, USA!



LANSHI

3NB-1300C

	LINERS	LINER GASKETS	PISTONS				PISTON RUBBERS
SIZE	PART NUMBER	PART NUMBER	URETHANE BONDED	RUBBER BONDED	N'DURALL BONDED	REPLACEABLE RUBBER	PART NUMBER
4 1/2"	TS-4259-44HP	G-260 *	LLU-44-B15	LL-44-B15	HPW-44-B15	I-44-B15	TM-44-KR
5"	TS-4259-50HP	G-260 *	LLU-50-B15	LL-50-B15	HPW-50-B15	I-50-B15	TM-50-BR
5 1/2"	TS-4259-54HP	G-260 *	LLU-54-B15	LL-54-B15	HPW-54-B15	I-54-B15	TM-54-BR
5 3/4"	TS-4259-56HP	G-260 *	LLU-56-B15	LL-56-B15	HPW-56-B15	I-56-B15	TM-56-BR
6"	TS-4259-60HP	G-260 *	LLU-60-B15	LL-60-B15	HPW-60-B15	I-60-B15	TM-60-BR
6 1/4"	TS-4259-62HP	G-260 *	LLU-62-L15	LL-62-L15	HPW-62-L15	I-62-L15	TM-62-BR
6 1/2"	TS-4259-64HP	G-260 *	LLU-64-L15	LL-64-L15	HPW-64-L15	I-64-L15	TM-64-LR
6 3/4"	TS-4259-66HP	G-260 *	LLU-66-L15	LL-66-L15	HPW-66-L15	I-66-L15	TM-66-LR
7"	TS-4259-70HP	G-260 *	LLU-70-L15	LL-70-L15	HPW-70-L15	I-70-L15	TM-70-LR
VALVES, SEATS, SPRINGS					GASKETS		
	4 WEB DESIGN	3 WEB DESIGN	FULL OPEN (1)	FULL OPEN (2)		PART NUMBER	
VALVE	TS-7-EEF	TS-202PZL482	TS-0985M	TS-7-V1	VALVE COVER GASKET	TS-107.11.110.05	
SEAT	TS-7-DDB1	TS-202PZL039	TS-1370M	TS-7-S1	CYLINDER HEAD GASKET	TS-107.11.110.68	
SPRING	TS-5710-110	-	-	TS-5710-110L	WEAR PLATE GASKET	TS-107.11.110.42	
INSERT (Urethane)	TS-7-WI	-	TS-7-MI	TS-7-FI	EXTENSION ROD SEAL	-	
INSERT (Rubber)	TS-7-WR	-	-	TS-7-FR	EXTENSION ROD BAFFLE	TS-107.11.70.00	
PULLER HEAD	TS-HP1700-7	-	TS-01425	TS-RND7			
PISTON ROD & EXTENSION ROD							
ROD CLAMP	PISTON NUT	THREADED TYPE PISTON ROD	CLAMP TYPE PISTON ROD	SUB ROD	THREADED TYPE EXTENSION ROD	CLAMP TYPE EXTENSION ROD	
TS-107.11.114.00	TS-107.04.120.00	-	TS-107.11.110.39	-	-	TS-107.11.01.02	
FLUID END MODULE							
FLUID END MODULE STUDED			MODULE SEAL SET		STUDS & NUTS SET		
TS-107.11.110.14-2			TMNB16-SEALKIT		TMNB16-STUDSET		

TSC does not warrant or represent that any of such information is accurate, or that any products listed are compatible with each other. Any deviations from the OEM products should be verified as to compatibility.

TSC Manufacturing and Supply LLC, 13788 West Road, Suite 100, Houston, Texas 77041, USA!

LANSHI

3NB-1600

LINERS		LINER GASKETS	PISTONS				PISTON RUBBERS
SIZE	PART NUMBER	PART NUMBER	URETHANE BONDED	RUBBER BONDED	N'DURALL BONDED	REPLACEABLE RUBBER	PART NUMBER
4 1/2"	TS-4259-44HP	G-260 *	LLU-44-B15	LL-44-B15	HPW-44-B15	I-44-B15	TM-44-KR
5"	TS-4259-50HP	G-260 *	LLU-50-B15	LL-50-B15	HPW-50-B15	I-50-B15	TM-50-BR
5 1/2"	TS-4259-54HP	G-260 *	LLU-54-B15	LL-54-B15	HPW-54-B15	I-54-B15	TM-54-BR
5 3/4"	TS-4259-56HP	G-260 *	LLU-56-B15	LL-56-B15	HPW-56-B15	I-56-B15	TM-56-BR
6"	TS-4259-60HP	G-260 *	LLU-60-B15	LL-60-B15	HPW-60-B15	I-60-B15	TM-60-BR
6 1/4"	TS-4259-62HP	G-260 *	LLU-62-L15	LL-62-L15	HPW-62-L15	I-62-L15	TM-62-BR
6 1/2"	TS-4259-64HP	G-260 *	LLU-64-L15	LL-64-L15	HPW-64-L15	I-64-L15	TM-64-LR
6 3/4"	TS-4259-66HP	G-260 *	LLU-66-L15	LL-66-L15	HPW-66-L15	I-66-L15	TM-66-LR
7"	TS-4259-70HP	G-260 *	LLU-70-L15	LL-70-L15	HPW-70-L15	I-70-L15	TM-70-LR
VALVES, SEATS, SPRINGS					GASKETS		
	4 WEB DESIGN	3 WEB DESIGN	FULL OPEN (1)	FULL OPEN (2)		PART NUMBER	
VALVE	TS-7-EEF	TS-202PZL482	TS-0985M	TS-7-V1	VALVE COVER GASKET	TS-107.11.110.05	
SEAT	TS-7-DDB1	TS-202PZL039	TS-1370M	TS-7-S1	CYLINDER HEAD GASKET	TS-107.11.110.68	
SPRING	TS-5710-110	-	-	TS-5710-110L	WEAR PLATE GASKET	TS-107.11.110.42	
INSERT (Urethane)	TS-7-WI	-	TS-7-MI	TS-7-FI	EXTENSION ROD SEAL	-	
INSERT (Rubber)	TS-7-WR	-	-	TS-7-FR	EXTENSION ROD BAFFLE	TS-107.11.70.00	
PULLER HEAD	TS-HP1700-7	-	TS-01425	TS-RND7			
PISTON ROD & EXTENSION ROD							
ROD CLAMP	PISTON NUT	THREADED TYPE PISTON ROD	CLAMP TYPE PISTON ROD	SUB ROD	THREADED TYPE EXTENSION ROD	CLAMP TYPE EXTENSION ROD	
TS-107.11.114.00	TS-107.04.120.00	-	TS-107.11.110.39	-	-	TS-107.11.01.02	
FLUID END MODULE							
FLUID END MODULE STUDDED			MODULE SEAL SET		STUDS & NUTS SET		
TS-107.11.110.14-2			TMNB16-SEALKIT		TMNB16-STUDSET		

TSC does not warrant or represent that any of such information is accurate, or that any products listed are compatible with each other. Any deviations from the OEM products should be verified as to compatibility.

TSC Manufacturing and Supply LLC, 13788 West Road, Suite 100, Houston, Texas 77041, USA!



HONGHUA

HHF-1300

7 x 12

LINERS		ZIRCONIA LINERS	LINER GASKETS	PISTONS				PISTON RUBBERS
SIZE	PART NUMBER	PART NUMBER	PART NUMBER	URETHANE BONDED	RUBBER BONDED	N'DURALL BONDED	REPLACEABLE RUBBER	PART NUMBER
4"	TS-2145-40HP	TS-07499400	G-800 *	LLU-40-K15	LL-40-K15	HPW-40-K15	I-40-K15	TM-40-KR
4 1/2"	TS-2145-44HP	TS-07499450	G-800 *	LLU-44-B15	LL-44-B15	HPW-44-B15	I-44-B15	TM-44-BR
5"	TS-2145-50HP	TS-07499500	G-800 *	LLU-50-B15	LL-50-B15	HPW-50-B15	I-50-B15	TM-50-BR
5 1/2"	TS-2145-54HP	TS-07499550	G-800 *	LLU-54-B15	LL-54-B15	HPW-54-B15	I-54-B15	TM-54-BR
5 3/4"	TS-2145-56HP	TS-07499575	G-800 *	LLU-56-B15	LL-56-B15	HPW-56-B15	I-56-B15	TM-56-BR
6"	TS-2145-60HP	TS-07499600	G-800 *	LLU-60-B15	LL-60-B15	HPW-60-B15	I-60-B15	TM-60-BR
6 1/4"	TS-2145-62HP	TS-07499625	G-800 *	LLU-62-L15	LL-62-L15	HPW-62-L15	I-62-L15	TM-62-LR
6 1/2"	TS-2145-64HP	TS-07499650	G-800 *	LLU-64-L15	LL-64-L15	HPW-64-L15	I-64-L15	TM-64-LR
6 3/4"	TS-2145-66HP	TS-07499675	G-800 *	LLU-66-L15	LL-66-L15	HPW-66-L15	I-66-L15	TM-66-LR
7"	TS-2145-70HP	TS-07499700	G-800 *	LLU-70-L15	LL-70-L15	HPW-70-L15	I-70-L15	TM-70-LR
VALVES, SEATS, SPRINGS						GASKETS		
	4 WEB DESIGN	FULL OPEN	FULL OPEN (BONDED)					PART NUMBER
VALVE	TS-7-EEF	TS-7-V1	TS-7-V2B	VALVE COVER GASKET				G-741 *
VALVE (High Temperature)	-	-	TS-7-V2BH	CYLINDER HEAD GASKET				G-801 *
VALVE (High Performance)	-	-	TS-7-V2BP	WEAR PLATE GASKET				G-800 *
SEAT	TS-7-DDB1	TS-7-S1	TS-7-S1					
SPRING	TS-5710-115	TS-5710-115L	TS-5710-115L					
INSERT (Urethane)	TS-7-WI	TS-7-FI	-					
PULLER HEAD	TS-HP1700-7	TS0-RND7	TS0-RND7					
PISTON ROD & EXTENSION ROD								
ROD CLAMP		PISTON NUT		PISTON ROD		EXTENSION ROD		
TMFB6-03-08		TM-NUT		TM-2145		TMF16-01-06		
FLUID END MODULE								
FLUID END MODULE STUDDED				MODULE SEAL SET		STUDS & NUTS SET		
TS-6316-0357-00B				TMFB6-SEALKIT		TMBJ16-STUDSET		

TSC does not warrant or represent that any of such information is accurate, or that any products listed are compatible with each other. Any deviations from the OEM products should be verified as to compatibility.

TSC Manufacturing and Supply LLC, 13788 West Road, Suite 100, Houston, Texas 77041, USA!



HONGHUA

HHF-1600

7 x 12

SIZE	LINERS	ZIRCONIA LINERS	LINER GASKETS	PISTONS				PISTON RUBBERS
	PART NUMBER	PART NUMBER	PART NUMBER	URETHANE BONDED	RUBBER BONDED	N'DURALL BONDED	REPLACEABLE RUBBER	PART NUMBER
4"	TS-2145-40HP	TS-07499400	G-800 *	LLU-40-K15	LL-40-K15	HPW-40-K15	I-40-K15	TM-40-KR
4 1/2"	TS-2145-44HP	TS-07499450	G-800 *	LLU-44-B15	LL-44-B15	HPW-44-B15	I-44-B15	TM-44-BR
5"	TS-2145-50HP	TS-07499500	G-800 *	LLU-50-B15	LL-50-B15	HPW-50-B15	I-50-B15	TM-50-BR
5 1/2"	TS-2145-54HP	TS-07499550	G-800 *	LLU-54-B15	LL-54-B15	HPW-54-B15	I-54-B15	TM-54-BR
5 3/4"	TS-2145-56HP	TS-07499575	G-800 *	LLU-56-B15	LL-56-B15	HPW-56-B15	I-56-B15	TM-56-BR
6"	TS-2145-60HP	TS-07499600	G-800 *	LLU-60-B15	LL-60-B15	HPW-60-B15	I-60-B15	TM-60-BR
6 1/4"	TS-2145-62HP	TS-07499625	G-800 *	LLU-62-L15	LL-62-L15	HPW-62-L15	I-62-L15	TM-62-LR
6 1/2"	TS-2145-64HP	TS-07499650	G-800 *	LLU-64-L15	LL-64-L15	HPW-64-L15	I-64-L15	TM-64-LR
6 3/4"	TS-2145-66HP	TS-07499675	G-800 *	LLU-66-L15	LL-66-L15	HPW-66-L15	I-66-L15	TM-66-LR
7"	TS-2145-70HP	TS-07499700	G-800 *	LLU-70-L15	LL-70-L15	HPW-70-L15	I-70-L15	TM-70-LR
VALVES, SEATS, SPRINGS				GASKETS				
	4 WEB DESIGN	FULL OPEN	FULL OPEN (BONDED)					PART NUMBER
VALVE	TS-7-EEF	TS-7-V1	TS-7-V2B				VALVE COVER GASKET	G-741 *
VALVE (High Temperature)	-	-	TS-7-V2BH				CYLINDER HEAD GASKET	G-801 *
VALVE (High Performance)	-	-	TS-7-V2BP				WEAR PLATE GASKET	G-800 *
SEAT	TS-7-DDB1	TS-7-S1	TS-7-S1					
SPRING	TS-5710-115	TS-5710-115L	TS-5710-115L					
INSERT (Urethane)	TS-7-WI	TS-7-FI	-					
PULLER HEAD	TS-HP1700-7	TS0-RND7	TS0-RND7					
PISTON ROD & EXTENSION ROD								
	ROD CLAMP	PISTON NUT	PISTON ROD	EXTENSION ROD				
	TMFB6-03-08	TM-NUT	TM-2145	TMF16-01-06				
FLUID END MODULE								
	FLUID END MODULE STUDED	MODULE SEAL SET	STUDS & NUTS SET					
	TS-6316-0357-00B	TMFB6-SEALKIT	TMBJ16-STUDSET					

TSC does not warrant or represent that any of such information is accurate, or that any products listed are compatible with each other. Any deviations from the OEM products should be verified as to compatibility.

TSC Manufacturing and Supply LLC, 13788 West Road, Suite 100, Houston, Texas 77041, USA!



SOUTHWEST

12-P-160

7-1/2 x 12

LINERS		ZIRCONIA LINERS	LINER GASKETS	PISTONS				PISTON RUBBERS
SIZE	PART NUMBER	PART NUMBER	PART NUMBER	URETHANE BONDED	RUBBER BONDED	N'DURALL BONDED	REPLACEABLE RUBBER	PART NUMBER
4"	TS-0259-40HP	TS-07466400	G-265 *	LLU-40-K15	LL-40-K15	HPW-40-K15	I-40-K15	TM-40-KR
4 1/2"	TS-0259-44HP	TS-07466450	G-265 *	LLU-44-B15	LL-44-B15	HPW-44-B15	I-44-B15	TM-44-BR
5"	TS-0259-50HP	TS-07466500	G-265 *	LLU-50-B15	LL-50-B15	HPW-50-B15	I-50-B15	TM-50-BR
5 1/2"	TS-0259-54HP	TS-07466550	G-263 *	LLU-54-B15	LL-54-B15	HPW-54-B15	I-54-B15	TM-54-BR
5 3/4"	TS-0259-56HP	TS-07466575	-	LLU-56-B15	LL-56-B15	HPW-56-B15	I-56-B15	TM-56-BR
6"	TS-0259-60HP	TS-07466600	G-261 *	LLU-60-B15	LL-60-B15	HPW-60-B15	I-60-B15	TM-60-BR
6 1/4"	TS-0259-62HP	TS-07466625	G-283 *	LLU-62-L15	LL-62-L15	HPW-62-L15	I-62-L15	TM-62-LR
6 1/2"	TS-0259-64HP	TS-07466650	G-284 *	LLU-64-L15	LL-64-L15	HPW-64-L15	I-64-L15	TM-64-LR
6 3/4"	TS-0259-66HP	TS-07466675	G-287 *	LLU-66-L15	LL-66-L15	HPW-66-L15	I-66-L15	TM-66-LR
7"	TS-0259-70HP	TS-07466700	G-285 *	LLU-70-L15	LL-70-L15	HPW-70-L15	I-70-L15	TM-70-LR
VALVES, SEATS, SPRINGS						GASKETS		
		4 WEB DESIGN	FULL OPEN	FULL OPEN (BONDED)				PART NUMBER
VALVE		TS-7-EEF	TS-7-V1	TS-7-V2B		VALVE COVER GASKET		TS-P-119
VALVE (High Temperature)		-	-	TS-7-V2BH		CYLINDER HEAD GASKET		-
VALVE (High Performance)		-	-	TS-7-V2BP		WEAR PLATE GASKET		TS-1290344
SEAT		TS-7-DDB12	TS-7-S12	TS-7-S12		EXTENSION ROD SEAL		TS-1292182
SPRING		TS-5710-115	TS-5710-115L	TS-5710-115L		EXTENSION ROD BAFFLE		TS-1292194
INSERT (Urethane)		TS-7-WI	TS-7-FI	-				
INSERT (Rubber)		TS-7-WR	-	-				
PULLER HEAD		TS-HP1700-7	TS-RND7	TS-RND7				
PISTON ROD & EXTENSION ROD								
ROD CLAMP	PISTON ROD STUD	PISTON NUT	THREADED TYPE PISTON ROD	CLAMP TYPE PISTON ROD	SUB ROD	THREADED TYPE EXTENSION ROD		CLAMP TYPE EXTENSION ROD
TM12P-03-08	-	TM-NUT	-	TM-258-A	TM-258-B	-		TM12P-01-06
FLUID END MODULE								
SUCTION MODULE STUDDED	DISCHARGE MODULE STUDDED		MODULE SEAL SET		STUDS & NUTS SET			
TS-FEM12PSUCSWNS	TS-FEM12PDISSWNS		TM12PSW-SEALKIT		TM12PSW-STUDSETD TM12PSW-STUDSETS			

TSC does not warrant or represent that any of such information is accurate, or that any products listed are compatible with each other.
Any deviations from the OEM products should be verified as to compatibility.

TSC Manufacturing and Supply LLC, 13788 West Road, Suite 100, Houston, Texas 77041, USA!



SOUTHWEST

FB-1300

7 x 12

LINERS		ZIRCONIA LINERS	LINER GASKETS	PISTONS				PISTON RUBBER
SIZE	PART NUMBER	PART NUMBER	PART NUMBER	URETHANE BONDED	RUBBER BONDED	N'DURALL BONDED	REPLACEABLE RUBBER	PART NUMBER
4"	TS-2145-40HP	TS-07499400	G-800 *	LLU-40-K15	LL-40-K15	HPW-40-K15	I-40-K15	TM-40-KR
4 1/2"	TS-2145-44HP	TS-07499450	G-800 *	LLU-44-B15	LL-44-B15	HPW-44-B15	I-44-B15	TM-44-BR
5"	TS-2145-50HP	TS-07499500	G-800 *	LLU-50-B15	LL-50-B15	HPW-50-B15	I-50-B15	TM-50-BR
5 1/2"	TS-2145-54HP	TS-07499550	G-800 *	LLU-54-B15	LL-54-B15	HPW-54-B15	I-54-B15	TM-54-BR
5 3/4"	TS-2145-56HP	TS-07499575	G-800 *	LLU-56-B15	LL-56-B15	HPW-56-B15	I-56-B15	TM-56-BR
6"	TS-2145-60HP	TS-07499600	G-800 *	LLU-60-B15	LL-60-B15	HPW-60-B15	I-60-B15	TM-60-BR
6 1/4"	TS-2145-62HP	TS-07499625	G-800 *	LLU-62-L15	LL-62-L15	HPW-62-L15	I-62-L15	TM-62-LR
6 1/2"	TS-2145-64HP	TS-07499650	G-800 *	LLU-64-L15	LL-64-L15	HPW-64-L15	I-64-L15	TM-64-LR
6 3/4"	TS-2145-66HP	TS-07499675	G-800 *	LLU-66-L15	LL-66-L15	HPW-66-L15	I-66-L15	TM-66-LR
7"	TS-2145-70HP	TS-07499700	G-800 *	LLU-70-L15	LL-70-L15	HPW-70-L15	I-70-L15	TM-70-LR
VALVES, SEATS, SPRINGS						GASKETS		
		4 WEB DESIGN	FULL OPEN	FULL OPEN (BONDED)				PART NUMBER
VALVE		TS-7-EEF	TS-7-V1	TS-7-V2B	VALVE COVER GASKET			TS-P-129
VALVE (High Temperature)		-	-	TS-7-V2BH	WEAR PLATE GASKET			TS-2988
ALVE (High Performance)		-	-	TS-7-V2BP	EXTENSION ROD SEAL			TS-7602-2132-76
SEAT		TS-7-DDB1	TS-7-S1	TS-7-S1	EXTENSION ROD BAFFLE			TS-6316-0093-00
SPRING		TS-5710-115	TS-5710-115L	TS-5710-115L				
INSERT (Urethane)		TS-7-WI	TS-7-FI	-				
INSERT (Rubber)		TS-7-WR	-	-				
PULLER HEAD		TS-HP1700-7	TS-RND7	TS-RND7				
PISTON ROD & EXTENSION ROD								
ROD CLAMP	PISTON ROD STUD	PISTON NUT	THREADED TYPE PISTON ROD	CLAMP TYPE PISTON ROD	SUB ROD	THREADED TYPE EXTENSION ROD		CLAMP TYPE EXTENSION ROD
TMFB6-03-08	-	TM-NUT	-	TM-2145	-	-		TMFB6-01-06
FLUID END MODULE								
SUCTION MODULE STUDED				MODULE SEAL SET		STUDS & NUTS SET		
TS-8490-2S				TMFB5W-SEALKIT		TMFB5W-STUDSET		

TSC does not warrant or represent that any of such information is accurate, or that any products listed are compatible with each other. Any deviations from the OEM products should be verified as to compatibility.

TSC Manufacturing and Supply LLC, 13788 West Road, Suite 100, Houston, Texas 77041, USA!



SOUTHWEST

FB-1600

7 x 12

	LINERS	ZIRCONIA LINERS	LINER GASKETS	PISTONS				PISTON RUBBER
SIZE	PART NUMBER	PART NUMBER	PART NUMBER	URETHANE BONDED	RUBBER BONDED	N'DURALL BONDED	REPLACEABLE RUBBER	PART NUMBER
4"	TS-2145-40HP	TS-07499400	G-800 *	LLU-40-K15	LL-40-K15	HPW-40-K15	I-40-K15	TM-40-KR
4 1/2"	TS-2145-44HP	TS-07499450	G-800 *	LLU-44-B15	LL-44-B15	HPW-44-B15	I-44-B15	TM-44-BR
5"	TS-2145-50HP	TS-07499500	G-800 *	LLU-50-B15	LL-50-B15	HPW-50-B15	I-50-B15	TM-50-BR
5 1/2"	TS-2145-54HP	TS-07499550	G-800 *	LLU-54-B15	LL-54-B15	HPW-54-B15	I-54-B15	TM-54-BR
5 3/4"	TS-2145-56HP	TS-07499575	G-800 *	LLU-56-B15	LL-56-B15	HPW-56-B15	I-56-B15	TM-56-BR
6"	TS-2145-60HP	TS-07499600	G-800 *	LLU-60-B15	LL-60-B15	HPW-60-B15	I-60-B15	TM-60-BR
6 1/4"	TS-2145-62HP	TS-07499625	G-800 *	LLU-62-L15	LL-62-L15	HPW-62-L15	I-62-L15	TM-62-LR
6 1/2"	TS-2145-64HP	TS-07499650	G-800 *	LLU-64-L15	LL-64-L15	HPW-64-L15	I-64-L15	TM-64-LR
6 3/4"	TS-2145-66HP	TS-07499675	G-800 *	LLU-66-L15	LL-66-L15	HPW-66-L15	I-66-L15	TM-66-LR
7"	TS-2145-70HP	TS-07499700	G-800 *	LLU-70-L15	LL-70-L15	HPW-70-L15	I-70-L15	TM-70-LR
VALVES, SEATS, SPRINGS						GASKETS		
		4 WEB DESIGN	FULL OPEN	FULL OPEN (BONDD)				PART NUMBER
VALVE		TS-7-EEF	TS-7-V1	TS-7-V2B	VALVE COVER GASKET			TS-P-129
VALVE (High Temperature)		-	-	TS-7-V2BH	WEAR PLATE GASKET			TS-2988
ALVE (High Performance)		-	-	TS-7-V2BP	EXTENSION ROD SEAL			TS-7602-2132-76
SEAT		TS-7-DDB1	TS-7-S1	TS-7-S1	EXTENSION ROD BAFFLE			TS-6316-0093-00
SPRING		TS-5710-115	TS-5710-115L	TS-5710-115L				
INSERT (Urethane)		TS-7-WI	TS-7-FI	-				
INSERT (Rubber)		TS-7-WR	-	-				
PULLER HEAD		TS-HP1700-7	TS-RND7	TS-RND7				
PISTON ROD & EXTENSION ROD								
ROD CLAMP	PISTON ROD STUD	PISTON NUT	THREADED TYPE PISTON ROD	CLAMP TYPE PISTON ROD	SUB ROD	THREADED TYPE EXTENSION ROD		CLAMP TYPE EXTENSION ROD
TMFB6-03-08	TS-1290-2	TM-NUT	-	TM-2145	-	-		TMFB6-01-06
FLUID END MODULE								
SUCTION MODULE STUDDED			MODULE SEAL SET			STUDS & NUTS SET		
TS-8490-2S			TMFBSW-SEALKIT			TMFBSW-STUDSET		

TSC does not warrant or represent that any of such information is accurate, or that any products listed are compatible with each other. Any deviations from the OEM products should be verified as to compatibility.

TSC Manufacturing and Supply LLC, 13788 West Road, Suite 100, Houston, Texas 77041, USA!



SOUTHWEST

A-1400

7-1/2 x 12

	LINERS	ZIRCONIA LINERS	LINER GASKETS	PISTONS				PISTON RUBBERS
SIZE	PART NUMBER	PART NUMBER	PART NUMBER	URETHANE BONDED	RUBBER BONDED	N'DURALL BONDED	REPLACEABLE RUBBER	PART NUMBER
4 1/2"	TS-0284-44HP	TS-07326450	G-754 *	LLU-44-B15	LL-44-B15	HPW-44-B15	I-44-B15	TM-44-BR
5"	TS-0284-50HP	TS-07326500	G-742 *	LLU-50-B15	LL-50-B15	HPW-50-B15	I-50-B15	TM-50-BR
5 1/2"	TS-0284-54HP	TS-07326550	G-743 *	LLU-54-B15	LL-54-B15	HPW-54-B15	I-54-B15	TM-54-BR
5 3/4"	TS-0284-56HP	TS-07326575	G-744 *	LLU-56-B15	LL-56-B15	HPW-56-B15	I-56-B15	TM-56-BR
6"	TS-0284-60HP	TS-07326600	G-745 *	LLU-60-B15	LL-60-B15	HPW-60-B15	I-60-B15	TM-60-BR
6 1/4"	TS-0284-62HP	TS-07326625	-	LLU-62-L15	LL-62-L15	HPW-62-L15	I-62-L15	TM-62-LR
6 1/2"	TS-0284-64HP	TS-07326650	G-746 *	LLU-64-L15	LL-64-L15	HPW-64-L15	I-64-L15	TM-64-LR
6 3/4"	TS-0284-66HP	TS-07326675	G-755 *	LLU-66-L15	LL-66-L15	HPW-66-L15	I-66-L15	TM-66-LR
7"	TS-0284-70HP	TS-07326700	G-756 *	LLU-70-L15	LL-70-L15	HPW-70-L15	I-70-L15	TM-70-LR
7 1/4"	TS-0284-72Cr	TS-07326725	G-757 *	LLU-72-L15	LL-72-L15	HPW-72-L15	I-72-L15	TM-72-LR
7 1/2"	TS-0284-74Cr	TS-07326750	G-758 *	LLU-74-L15	LL-74-L15	HPW-74-L15	I-74-L15	TM-74-LR
VALVES, SEATS, SPRINGS						GASKETS		
		4 WEB DESIGN	FULL OPEN	FULL OPEN (BONDED)				PART NUMBER
VALVE		TS-7-EEF	TS-7-V1	TS-7-V2B	VALVE COVER GASKET			G-760 *
VALVE (High Temperature)		-	-	TS-7-V2BH	CYLINDER HEAD GASKET			-
VALVE (High Performance)		-	-	TS-7-V2BP	WEAR PLATE GASKET			G-742 *
SEAT		TS-7-DDB1	TS-7-S1	TS-7-S1	EXTENSION ROD SEAL			TS-20-100-015
SPRING		TS-5710-115	TS-5710-115L	TS-5710-115L	EXTENSION ROD BAFFLE			TS-204-0668
INSERT (Urethane)		TS-7-WI	TS-7-FI	-				
INSERT (Rubber)		TS-7-WR	-	-				
PULLER HEAD		TS-HP1700-7	TS-RND7	TS-RND7				
PISTON ROD & EXTENSION ROD								
ROD CLAMP	PISTON ROD STUD	PISTON NUT	THREADED TYPE PISTON ROD	CLAMP TYPE PISTON ROD	SUB ROD	THREADED TYPE EXTENSION ROD		CLAMP TYPE EXTENSION ROD
TMA17-03-08	TM-283D	TM-NUT	-	TM-283-C	TM-283-A	-		TMA17-01-06
FLUID END MODULE								
SUCTION MODULE STUDDED		DISCHARGE MODULE STUDDED		MODULE SEAL SET		STUDS & NUTS SET		
TS-8488-2S		TS-8488-1D		TMA14SW-SEALKIT		TMA14SW-STUDSET		

TSC does not warrant or represent that any of such information is accurate, or that any products listed are compatible with each other. Any deviations from the OEM products should be verified as to compatibility.

TSC Manufacturing and Supply LLC, 13788 West Road, Suite 100, Houston, Texas 77041, USA!



SOUTHWEST

A-1700

7-1/2 x 12

	LINERS	ZIRCONIA LINERS	LINER GASKETS	PISTONS				PISTON RUBBERS
SIZE	PART NUMBER	PART NUMBER	PART NUMBER	URETHANE BONDED	RUBBER BONDED	N'DURALL BONDED	REPLACEABLE RUBBER	PART NUMBER
4 1/2"	TS-0284-44HP	TS-07326450	G-754 *	LLU-44-B15	LL-44-B15	HPW-44-B15	I-44-B15	TM-44-BR
5"	TS-0284-50HP	TS-07326500	G-742 *	LLU-50-B15	LL-50-B15	HPW-50-B15	I-50-B15	TM-50-BR
5 1/2"	TS-0284-54HP	TS-07326550	G-743 *	LLU-54-B15	LL-54-B15	HPW-54-B15	I-54-B15	TM-54-BR
5 3/4"	TS-0284-56HP	TS-07326575	G-744 *	LLU-56-B15	LL-56-B15	HPW-56-B15	I-56-B15	TM-56-BR
6"	TS-0284-60HP	TS-07326600	G-745 *	LLU-60-B15	LL-60-B15	HPW-60-B15	I-60-B15	TM-60-BR
6 1/4"	TS-0284-62HP	TS-07326625	-	LLU-62-L15	LL-62-L15	HPW-62-L15	I-62-L15	TM-62-LR
6 1/2"	TS-0284-64HP	TS-07326650	G-746 *	LLU-64-L15	LL-64-L15	HPW-64-L15	I-64-L15	TM-64-LR
6 3/4"	TS-0284-66HP	TS-07326675	G-755 *	LLU-66-L15	LL-66-L15	HPW-66-L15	I-66-L15	TM-66-LR
7"	TS-0284-70HP	TS-07326700	G-756 *	LLU-70-L15	LL-70-L15	HPW-70-L15	I-70-L15	TM-70-LR
7 1/4"	TS-0284-72Cr	TS-07326725	G-757 *	LLU-72-L15	LL-72-L15	HPW-72-L15	I-72-L15	TM-72-LR
7 1/2"	TS-0284-74Cr	TS-07326750	G-758 *	LLU-74-L15	LL-74-L15	HPW-74-L15	I-74-L15	TM-74-LR
VALVES, SEATS, SPRINGS						GASKETS		
		4 WEB DESIGN	FULL OPEN	FULL OPEN (BONDED)				PART NUMBER
VALVE		TS-7-EEF	TS-7-V1	TS-7-V2B	VALVE COVER GASKET			TS-07207129
VALVE (High Temperature)		-	-	TS-7-V2BH	CYLINDER HEAD GASKET			-
VALVE (High Performance)		-	-	TS-7-V2BP	WEAR PLATE GASKET			TS-20100008
SEAT		TS-7-DDB1	TS-7-S1	TS-7-S1	EXTENSION ROD SEAL			TS-20-100-015
SPRING		TS-5710-115	TS-5710-115L	TS-5710-115L	EXTENSION ROD BAFFLE			TS-204-0668
INSERT (Urethane)		TS-7-WI	TS-7-FI	-				
INSERT (Rubber)		TS-7-WR	-	-				
PULLER HEAD		TS-HP1700-7	TS-RND7	TS-RND7				
PISTON ROD & EXTENSION ROD								
ROD CLAMP	PISTON ROD STUD	PISTON NUT	THREADED TYPE PISTON ROD	CLAMP TYPE PISTON ROD	SUB ROD	THREADED TYPE EXTENSION ROD		CLAMP TYPE EXTENSION ROD
TMA17-03-08	TM-283D	TM-NUT	-	TM-283-C	TM-283-A	-		TMA17-01-06
FLUID END MODULE								
SUCTION MODULE STUDDER		DISCHARGE MODULE STUDDER		MODULE SEAL SET		STUDS & NUTS SET		
TS-8488-2S		TS-8488-1D		TMA14SW-SEALKIT		TMA14SW-STUDSET		

TSC does not warrant or represent that any of such information is accurate, or that any products listed are compatible with each other. Any deviations from the OEM products should be verified as to compatibility.

TSC Manufacturing and Supply LLC, 13788 West Road, Suite 100, Houston, Texas 77041, USA!



SOUTHWEST

HHF-1600 (7500 PSI)

7-1/2 x 12

LINERS		ZIRCONIA LINERS	LINER GASKETS	PISTONS				PISTON RUBBERS
SIZE	PART NUMBER	PART NUMBER	PART NUMBER	URETHANE BONDED	RUBBER BONDED	N'DURALL BONDED	REPLACEABLE RUBBER	PART NUMBER
4"	TS-0259-40HP	TS-07466400	G-265 *	LLU-40-K15	LL-40-K15	HPW-40-K15	I-40-K15	TM-40-KR
4 1/2"	TS-0259-44HP	TS-07466450	G-265 *	LLU-44-B15	LL-44-B15	HPW-44-B15	I-44-B15	TM-44-BR
5"	TS-0259-50HP	TS-07466500	G-265 *	LLU-50-B15	LL-50-B15	HPW-50-B15	I-50-B15	TM-50-BR
5 1/2"	TS-0259-54HP	TS-07466550	G-263 *	LLU-54-B15	LL-54-B15	HPW-54-B15	I-54-B15	TM-54-BR
5 3/4"	TS-0259-56HP	TS-07466575	-	LLU-56-B15	LL-56-B15	HPW-56-B15	I-56-B15	TM-56-BR
6"	TS-0259-60HP	TS-07466600	G-261 *	LLU-60-B15	LL-60-B15	HPW-60-B15	I-60-B15	TM-60-BR
6 1/4"	TS-0259-62HP	TS-07466625	G-283 *	LLU-62-L15	LL-62-L15	HPW-62-L15	I-62-L15	TM-62-LR
6 1/2"	TS-0259-64HP	TS-07466650	G-284 *	LLU-64-L15	LL-64-L15	HPW-64-L15	I-64-L15	TM-64-LR
6 3/4"	TS-0259-66HP	TS-07466675	G-287 *	LLU-66-L15	LL-66-L15	HPW-66-L15	I-66-L15	TM-66-LR
7"	TS-0259-70HP	TS-07466700	G-285 *	LLU-70-L15	LL-70-L15	HPW-70-L15	I-70-L15	TM-70-LR
VALVES, SEATS, SPRINGS						GASKETS		
		4 WEB DESIGN	FULL OPEN	FULL OPEN (BONDED)		PART NUMBER		
VALVE		TS-6-EH	TS-6-V1	TS-6-V2BH	VALVE COVER GASKET	P-115U		
VALVE (High Temperature)		TS-6-EH-H	TS-6-V1H	TS-6-V2BP	CYLINDER HEAD GASKET	-		
VALVE (High Performance)		-		TS-6-V2BHP	EXTENSION ROD SEAL	TS-7602-2132-76		
SEAT		TS-6-ADDB4	TS-6-S4	TS-6-S4	EXTENSION ROD BAFFLE	TS-6316-0093-00		
SPRING		TS-5710-115	TS-5710-115	TS-5710-115				
INSERT (Urethane)		TS-6-WI	-	-	WEAR PLATE GASKET	TS-2988U		
INSERT (Rubber)		TS-6-WR	-	-	2PC WEAR PLATE (Inner)	TS-8727-53-BJI		
PULLER HEAD		TS-HP1700-6	TS-RND6	TS-RND6	2PC WEAR PLATE (Outer)	TS-8727-53-BJO		
PISTON ROD & EXTENSION ROD								
ROD CLAMP	PISTON NUT	PISTON SUB ROD FRONT	PISTON SUB ROD BACK	PISTON ROD STUD	PISTON ROD 1-PIECE	EXTENSION ROD		
TMFB6-03-08	TM-NUT	TS-6278-25	TS-6284-1	TS-1290-2	TM-2145	TMFB6-01-06		
FLUID END MODULE								
SUCTION MODULE STUDED	DISCHARGE MODULE STUDED	MODULE SEAL SET			STUDS & NUTS SET			
TS-8404-26	TS-8404-27	TMSWF16HP-SEALKIT			TMSWF16HP-STUDSETD TMSWF16HP-STUDSETS			

TSC does not warrant or represent that any of such information is accurate, or that any products listed are compatible with each other. Any deviations from the OEM products should be verified as to compatibility.

TSC Manufacturing and Supply LLC, 13788 West Road, Suite 100, Houston, Texas 77041, USA!

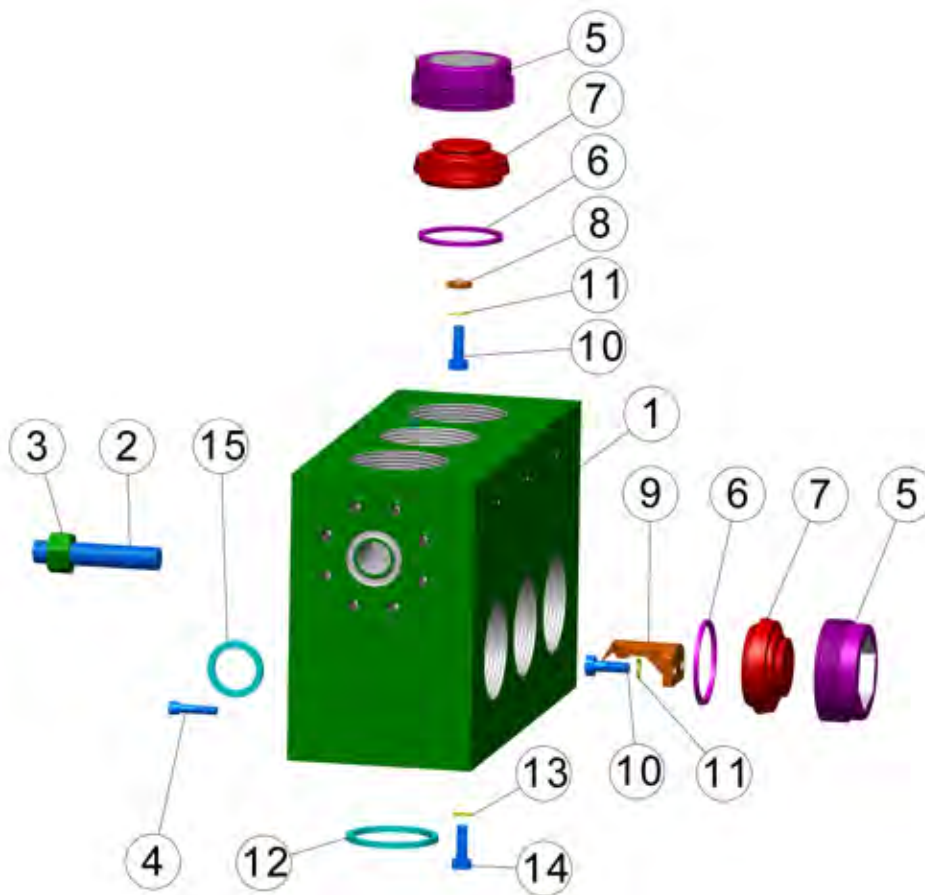
**TSC MANUFACTURING AND SUPPLY, LLC.
FLUID END MODULE & ACCESSORIES**



TSC Manufacturing and Supply LLC, 13788 West Road, Suite 100, Houston, Texas 77041, USA!

FLUID END MODULE & ACCESSORIES

TSC WFU340 TSC Manufacturing and Supply, LLC.



TSC Manufacturing and Supply LLC, 13788 West Road, Suite 100, Houston, Texas 77041, USA!

FLUID END MODULE & ACCESSORIES**TSC WFU340**

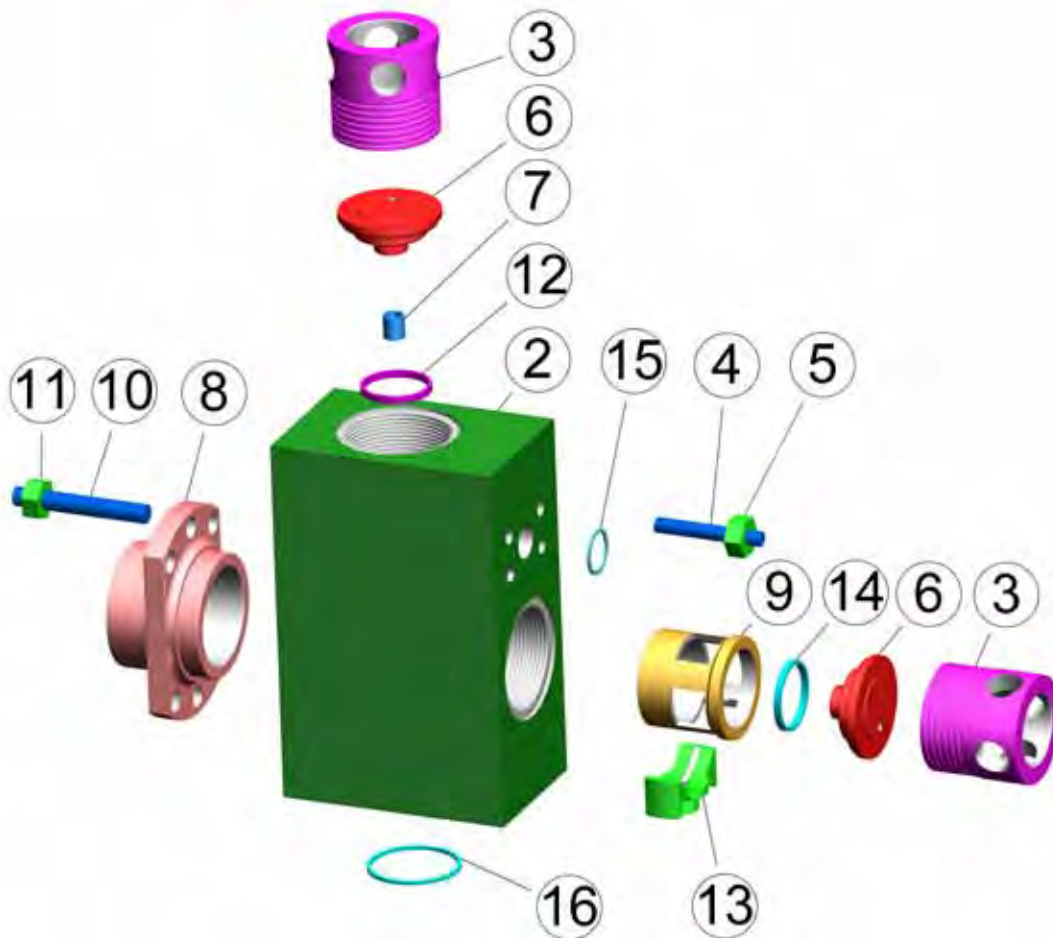
ITEM	PART NUMBER	DESCRIPTION	QTY/PUMP
	TS-FEM340CA	FLUID END MODULE COMPLETE ASSEMBLY (INCLUDES ITEM 1-12)	1
1	TS-171719612	CYLINDER ONLY	1
2	TS-10032367	STUD, 1-3/8"x7-1/2" FLUID CYLINDER TO FRAME	12
3	TS-6300220	NUT, 1-3/8" HEAVY HEX, FLUID CYLINDER TO FRAME	12
4	TS-7006309	SCREW, 1/2"-13x2-1/4"	4
5	TS-171826312	COVER, THREADED-TOP AND FRONT	6
6	TS-1718265	SEAL, TOP AND FRONT COVER PLATE	6
7	TS-1718256	PLATE, TOP AND FRONT COVER	6
8	TS-1718268	RETAINER, DISCHARGE SPRING	3
9	TS-1718267	BRACKET, SUCTION VALVE SPRING	3
10	TS-7000304-11	SCREW, 1/2"x1-1/4" CAP	6
11	TS-7619050	WASHER, 1/2" REG. SPRING LOCK	6
12	TS-08406001	GASKET, SUCTION MANIFOLD	3
13	TS-7619066	3/4" SPRING WASHER	10
14	TS-7000440-11	BOLT 3/4"-10UNCx2"LG	10

TSC does not warrant or represent that any of such information is accurate, or that any products listed are compatible with each other.
Any deviations from the OEM products should be verified as to compatibility.

TSC Manufacturing and Supply LLC, 13788 West Road, Suite 100, Houston, Texas 77041, USA!

FLUID END MODULE & ACCESSORIES

TSC WF400 TSC Manufacturing and Supply, LLC.



TSC Manufacturing and Supply LLC, 13788 West Road, Suite 100, Houston, Texas 77041, USA!

FLUID END MODULE & ACCESSORIES**TSC WF400**

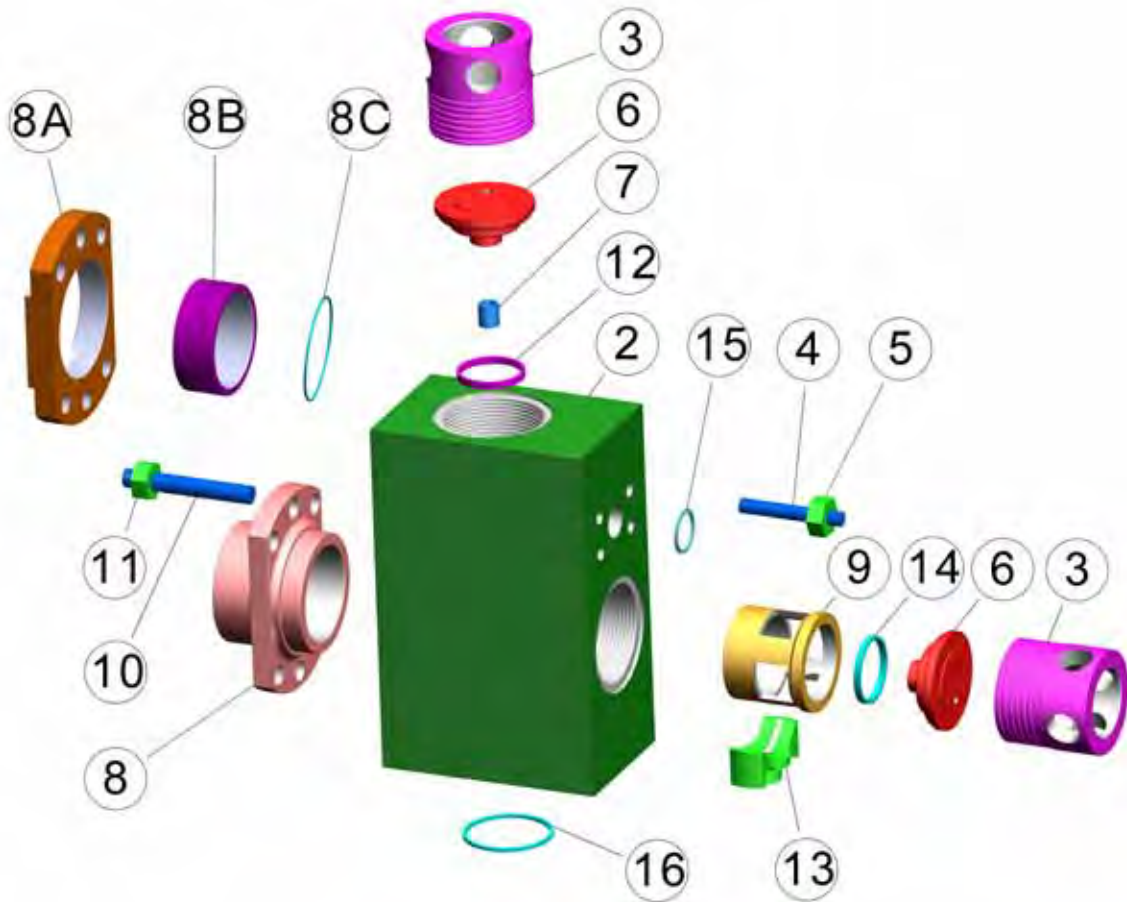
ITEM	PART NUMBER	DESCRIPTION	QTY/PUMP
	TS-FEMGDPAHCA	FLUID END MODULE COMPLETE ASSEMBLY (INCLUDES ITEM 2-18)	3
1	TS-200PJH029B	FLUID END MODULE STUDED (INCLUDES ITEM 2,4,5,10,11)	3
2	TS-200PJH029U	FLUID END MODULE ONLY	3
3	TS-3PA587	THREADED CAP (COVER LOCK)	6
4	TS-79L142	DISCHARGE MANIFOLD STUD	12
5	TS-50B9	NUT, DISCHARGE MANIFOLD STUD	12
6	TS-200PJH147	VALVE COVER PAH	6
7	TS-2013547	PAH DISCHARGE VALVE GUIDE BUSHING	3
8	TS-1PA217	PAH LINER CLAMP	3
9	TS-200PJH205	PAH SUCTION VALVE GUIDE RETAINER	3
10	TS-79AJ2	LINER CLAMP STUD	18
11	TS-50B35	LINER CLAMP STUD NUT	36
12	TS-200PJH715	VALVE COVER GASKET (G-799)	3
13	TS-200PJH483	VALVE GUIDE, SUCTION	3
14	TS-200PJH715	GASKET, CYLINDER HEAD (G-799)	3
15	TS-25AL54	GASKET, DISCHARGE MANIFOLD	3
16	TS-25G18	GASKET, SUCTION MANIFOLD	3
17	TMPAH-STUDSET	PAH STUDS AND NUTS SET (INCLUDES 4 PCS TS-79L142, 4 PCS TS-50B9, 6 PCS TS-79AJ2, 12 PCS TS-50B35)	3
18	TMPAH-SEALKIT	PAH MODULE SEAL KIT (INCLUDES TWO G-799, ONE TS-25AL54, ONE TS-25G18)	3

TSC does not warrant or represent that any of such information is accurate, or that any products listed are compatible with each other.
Any deviations from the OEM products should be verified as to compatibility.

TSC Manufacturing and Supply LLC, 13788 West Road, Suite 100, Houston, Texas 77041, USA!

FLUID END MODULE & ACCESSORIES

TSC WFU450 TSC Manufacturing and Supply, LLC.



TSC Manufacturing and Supply LLC, 13788 West Road, Suite 100, Houston, Texas 77041, USA!

FLUID END MODULE & ACCESSORIES**TSC WFU450**

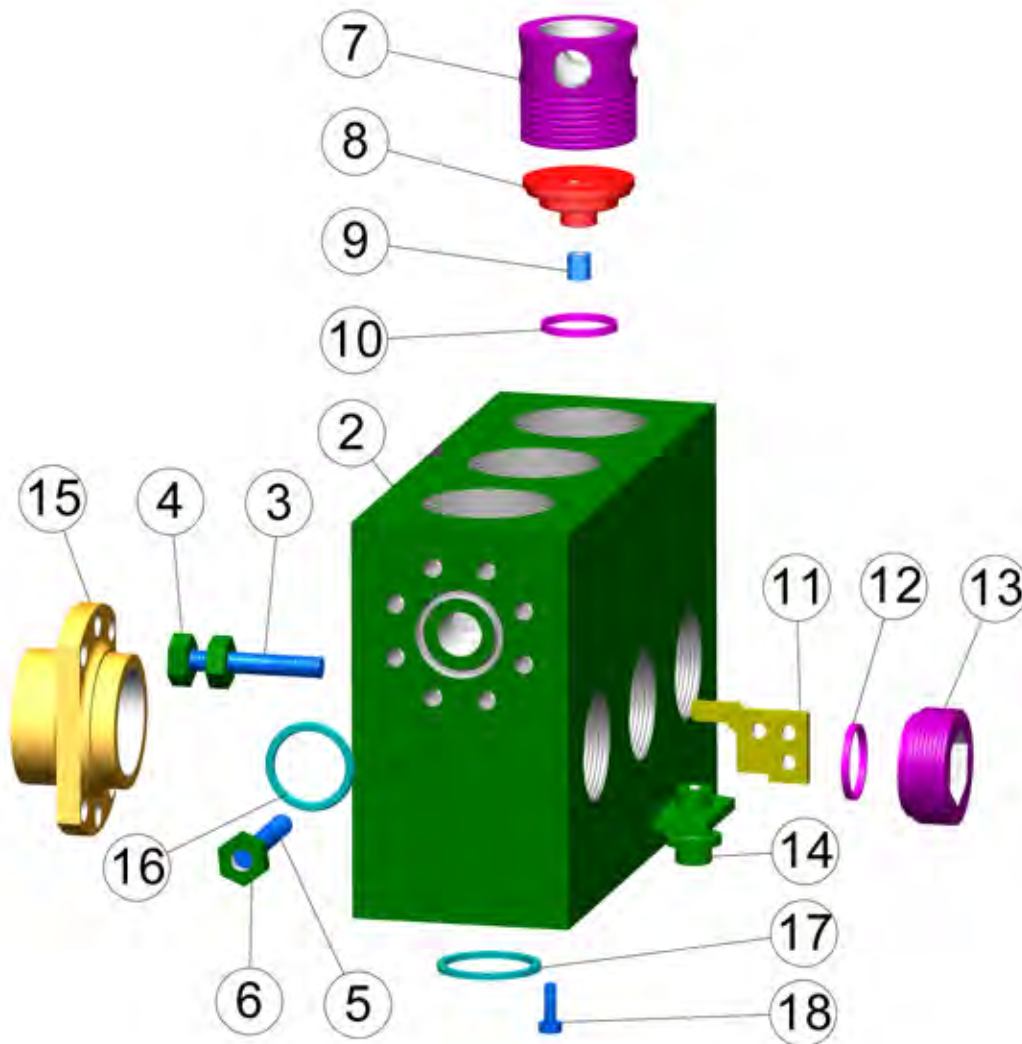
ITEM	PART NUMBER	DESCRIPTION	QTY/PUMP
	TS-FEMGDWFU45CA	FLUID END MODULE COMPLETE ASSEMBLY (INCLUDES ITEM 2-16)	3
1	TS-200PJH029BUS	FLUID END MODULE STUDED (INCLUDES ITEM 2,4,5,10,11)	3
2	TS-200PJH029BU	FLUID END MODULE ONLY	3
3	TS-3PA587	THREADED CAP (COVER LOCK)	6
4	TS-79L142	DISCHARGE MANIFOLD STUD	12
5	TS-50B9	NUT, DISCHARGE MANIFOLD STUD	12
6	TS-200PJH147	VALVE COVER PAH	6
7	TS-2013547	DISCHARGE VALVE GUIDE BUSHING	3
8	TS-1PA217	LINER CLAMP(FOR3" TO 5" LINER)	3
8A	TS-1PA217B	LINER CLAMP(FOR 5-1/2" AND 6" LINER)	3
8B	030102-105-0400A	LINER ADAPTER(FOR 5-1/2" AND 6" LINER)	3
8C	OR01-0155-355	O RING(FOR 5-1/2" AND 6" LINER)	9
9	TS-200PJH205	SUCTION VALVE GUIDE RETAINER	3
10	TS-79AJ2	LINER CLAMP STUD	18
11	TS-50B35	LINER CLAMP STUD NUT	36
12	TS-200PJH715	VALVE COVER GASKET (G-799)	3
13	TS-200PJH483	VALVE GUIDE, SUCTION	3
14	TS-200PJH715	GASKET, CYLINDER HEAD (G-799)	3
15	TS-25AL54	GASKET, DISCHARGE MANIFOLD	3
16	TS-25G18	GASKET, SUCTION MANIFOLD	3
17	TMPAH-STUDSET	STUDS AND NUTS SET (INCLUDES 4 PCS TS-79L142, 4 PCS TS-50B9, 6 PCS TS-79AJ2, 12 PCS TS-50B35)	3
18	TMPAH-SEALKIT	MODULE SEAL KIT (INCLUDES TWO G-799, ONE TS-25AL54, ONE TS-25G18)	3

TSC does not warrant or represent that any of such information is accurate, or that any products listed are compatible with each other.
Any deviations from the OEM products should be verified as to compatibility.

TSC Manufacturing and Supply LLC, 13788 West Road, Suite 100, Houston, Texas 77041, USA!

FLUID END MODULE & ACCESSORIES

TSC WWS500 TSC Manufacturing and Supply, LLC.



TSC Manufacturing and Supply LLC, 13788 West Road, Suite 100, Houston, Texas 77041, USA!

FLUID END MODULE & ACCESSORIES**TSC WWS500**

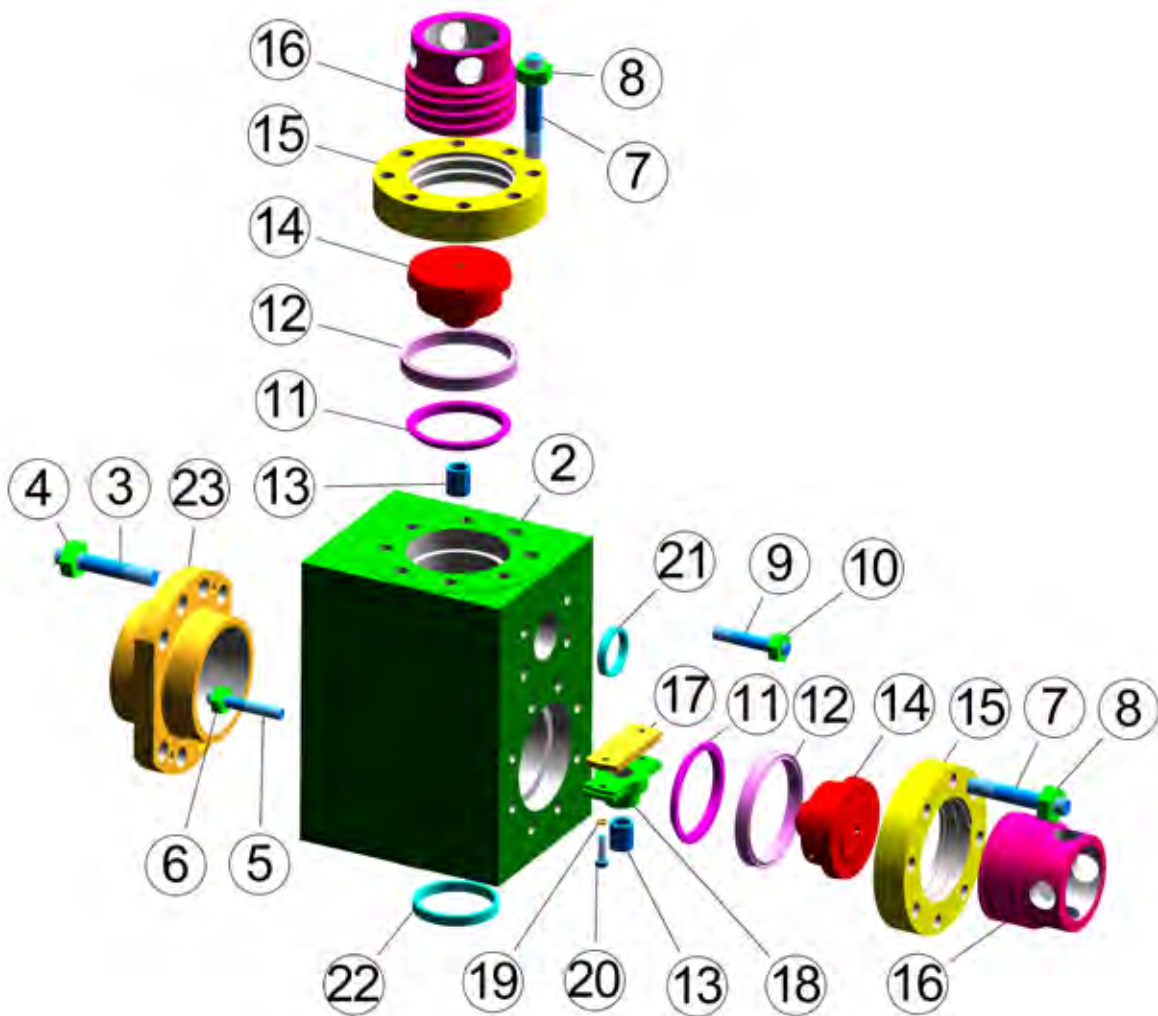
ITEM	PART NUMBER	DESCRIPTION	QTY/PUMP
	TS-FEMWWS500CA	FLUID END MODULE COMPLETE ASSEMBLY (INCLUDES ITEM 2-18)	1
1	TS-WWS500B	FLUID END MODULE STUDED (INCLUDES ITEM 2-6)	1
2	WF032-105-05B	FLUID END MODULE ONLY	1
3	TS-79AJ2	STUD, LINER CLAMP	18
4	TS-50B35	NUT, LINER CLAMP STUD	36
5	WWS500-010-02	STUD, DISCHARGE MANIFOLD	16
6	TS-50B34	NUT, DISCHARGE MANIFOLD STUD	16
7	TS-3PA587	THREADED CAP (COVER LOCK)	3
8	TS-200PJH147	VALVE COVER PAH	3
9	TS-2013547	DISCHARGE VALVE GUIDE BUSHING	3
10	TS-200PJH715	VALVE COVER GASKET (G-799)	3
11	WF032-105-08B	SUCTION VALVE GUIDE RETAINER	3
12	TS-200PJH715	GASKET, CYLINDER HEAD (G-799)	3
13	WF032-105-06B	THREADED CAP (COVER LOCK)	3
14	WF032-105-07B	VALVE GUIDE, SUCTION	3
15	TS-1PA217	LINER CLAMP	3
16	R-27	GASKET, DISCHARGE MANIFOLD	2
17	TS-25G18	GASKET, SUCTION MANIFOLD	3
18	UBL1-312-010-0016	SCREW, SUCTION MANIFOLD	12

TSC does not warrant or represent that any of such information is accurate, or that any products listed are compatible with each other.
Any deviations from the OEM products should be verified as to compatibility.

TSC Manufacturing and Supply LLC, 13788 West Road, Suite 100, Houston, Texas 77041, USA!

FLUID END MODULE & ACCESSORIES

TSC WF700 TSC Manufacturing and Supply, LLC.



TSC Manufacturing and Supply LLC, 13788 West Road, Suite 100, Houston, Texas 77041, USA!

FLUID END MODULE & ACCESSORIES**TSC WF700**

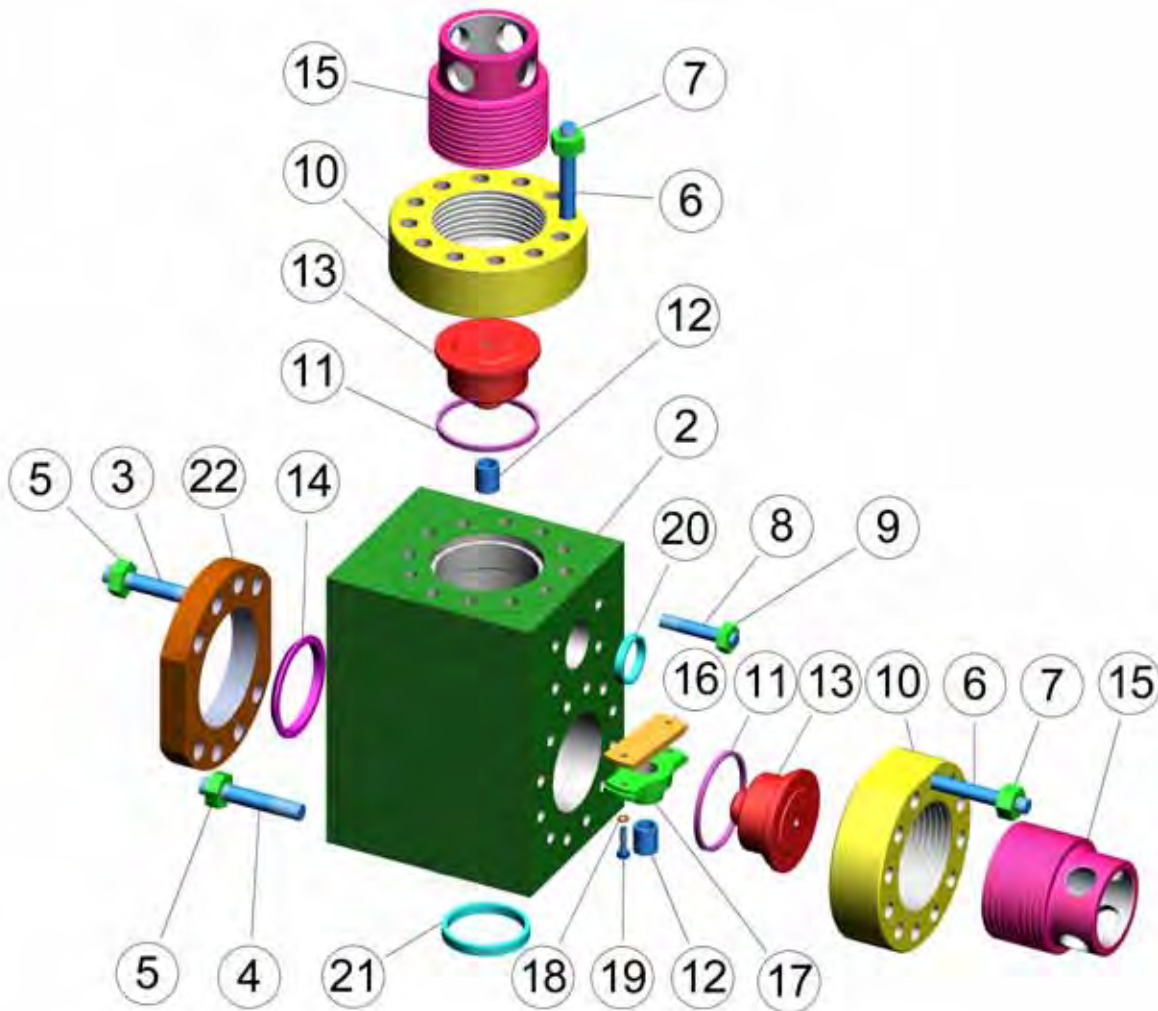
ITEM	PART NUMBER	DESCRIPTION	QTY/PUMP
	TS-FEMPZ789CA	FLUID END MODULE COMPLETE ASSEMBLY (INCLUDES ITEM 2-24)	
1	TS-205PZL029D	FLUID END MODULE STUDED (INCLUDES ITEM 2-10)	3
2	TS-205-6651-18	FLUID END MODULE ONLY	3
3	TS-79L188	STUD, FRAME & LINER CLAMP	24
4	TS-50B36	NUT (FOR ABOVE)	48
5	TS-79L73	STUD, FRAME	12
6	TS-50AQ36	NUT (FOR ABOVE)	12
7	TS-79AL6	STUD, VALVE COVER	48
8	TS-50B34	NUT (FOR ABOVE)	48
9	TS-202PZL110	STUD, DISCHARGE MANIFOLD	12
10	TS-50B34	NUT (FOR ABOVE)	12
11	TS-2011861	RING, VALVE COVER GASKET EXPANDER	6
12	TS-2011862	GASKET, VALVE COVER (G-749)	6
13	TS-2007674	BUSHING, VALVE GUIDE	6
14	TS-2011860	COVER, VALVE	6
15	TS-2011699	RING, VALVE COVER THREADED	6
16	TS-2011857	CAP, VALVE COVER LOCK	6
17	TS-2011701	PLATE, RETAINER	3
18	TS-2011700	GUIDE, VALVE SUCTION	3
19	TS-95W2	WASHER, LOCK 1/2" 316SS	6
20	TS-655EE06S	SCREW 1/2" x 1-3/4" 316SS HX HD C/S	6
21	TS-25AL35	GASKET, DISCHARGE MANIFOLD	3
22	TS-25G41	GASKET, SUCTION MANIFOLD	3
23	TS-1PV14	CLAMP, LINER	3
24	TS-2011706	ASSEMBLY, LOWER VALVE GUIDE (INCLUDES ITEM 13, 17-20)	3
25	TMPZ09-STUDSET	PZ-7/8/9 STUDS AND NUTS SET (INCLUDES 8 PCS TS-79L188, 16 PCS TS-50B36, 4 PCS TS-79L73, 4 PCS TS-50AQ30, 16 PCS TS-79AL6, 4 PCS TS-202PZL110, 20 PCS TS-50B34)	3
26	TMPZ09-SEALKIT	PAH MODULE SEAL KIT (INCLUDES TWO G-749, ONE TS-25AL35, ONE TS-25G41)	3

TSC does not warrant or represent that any of such information is accurate, or that any products listed are compatible with each other.
Any deviations from the OEM products should be verified as to compatibility.

TSC Manufacturing and Supply LLC, 13788 West Road, Suite 100, Houston, Texas 77041, USA!

FLUID END MODULE & ACCESSORIES

TSC WF1300B TSC Manufacturing and Supply, LLC.



TSC Manufacturing and Supply LLC, 13788 West Road, Suite 100, Houston, Texas 77041, USA!

FLUID END MODULE & ACCESSORIES**TSC WF1300B**

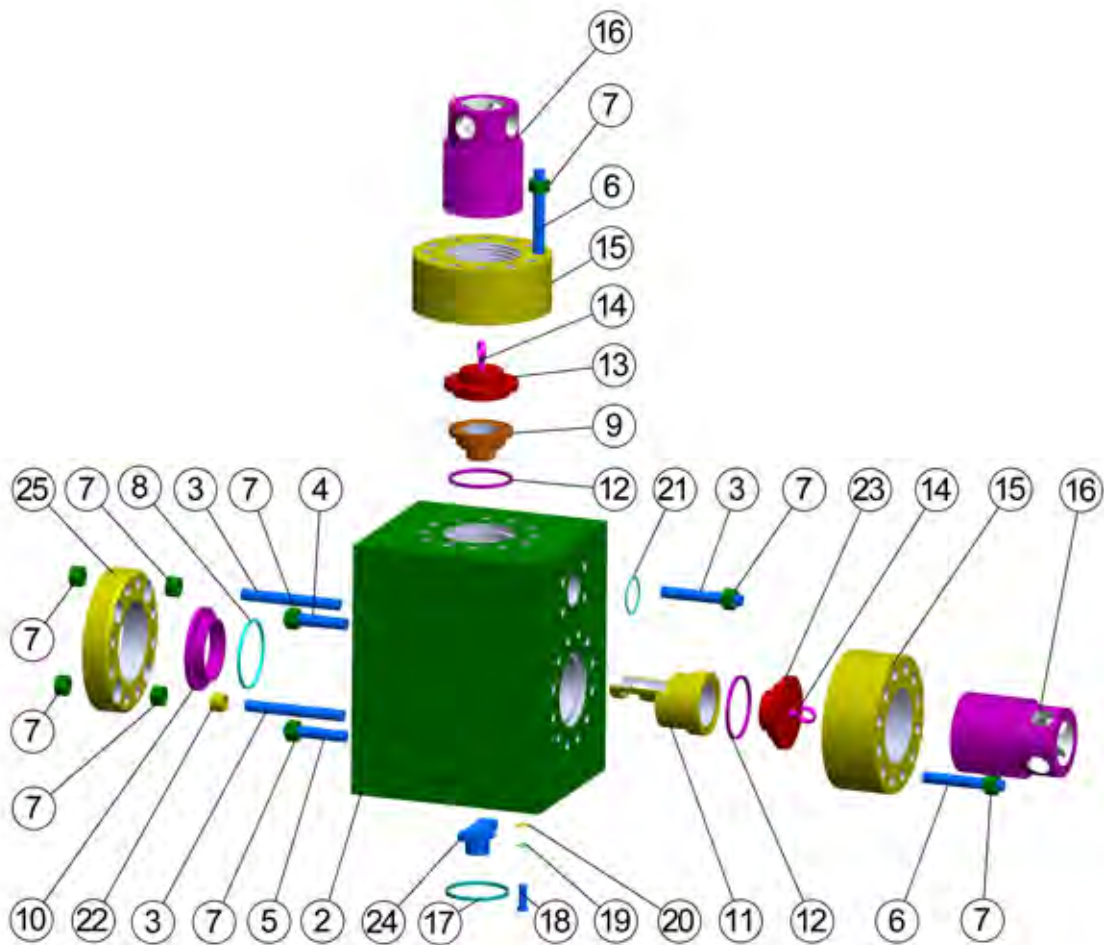
ITEM	PART NUMBER	DESCRIPTION	QTY/PUMP
		FLUID END MODULE COMPLETE ASSEMBLY (INCLUDES ITEM 2-13, 15, 20-23)	3
1	TS-202PZL029B	FLUID END MODULE STUDED (INCLUDES ITEM 2-9)	3
2	TS-202-6651-20	FLUID END MODULE ONLY	3
3	TS-201PZL110	STUD, FRAME & LINER CLAMP LONG	24
4	TS-205PZL110	STUD, SHORT	24
5	TS-50B36	NUT, FRAME & LINER CLAMP STUD	72
6	TS-204PZL110	STUD	72
7	TS-50B34	NUT (FOR ABOVE)	72
8	TS-202PZL110	STUD, DISCHARGE MANIFOLD	12
9	TS-50B34	NUT (FOR ABOVE STUD) (SAME AS ITEM 6)	12
10	TS-200PL387	RING, VALVE COVER THREADED	6
11	TS-204PZL715	GASKET, VALVE COVER (G-798Z)	6
12	TS-2007674	BUSHING, VALVE GUIDE	6
13	TS-200PZL147	COVER, VALVE	6
14	TS-25AL37	LINER GASKET (G-692)	3
15	TS-200PZL587	CAP, VALVE COVER LOCK	6
16	TS-2011701	PLATE, RETAINER	3
17	TS-200PZL483	GUIDE, VALVE SUCTION	3
18	TS-95W2	WASHER, LOCK 1/2" 316SS	6
19	TS-655EE065	SCREW 1/2" x 1-3/4" 316SS HX HD C/S	6
20	TS-25AL35	GASKET, DISCHARGE MANIFOLD	3
21	TS-25G41	GASKET, SUCTION MANIFOLD	3
22	TS-200PZL455	CLAMP, LINER	3
23	TS-200PZL483A	ASSEMBLY, LOWER VALVE GUIDE(INCLUDES ITEM 12,16,17,18,19)	3
24	TMPZ11-STUDSET	PZ-10/11 STUDS AND NUTS SET (INCLUDES 8 PCS TS-201PZL110, 8 PCS TS-205PZL110, 24 PCS TS-50B36, 24 PCS TS-204PZL110, 28 PCS TS-50B34, 4 PCS TS- 202PZL110)	3
25	TMPZ11-SEALKIT	PZ-10/11 MODULE SEAL KIT (INCLUDES TWO G-798Z, ONE TS-25AL35, ONE TS-25G41)	3

TSC does not warrant or represent that any of such information is accurate, or that any products listed are compatible with each other.
Any deviations from the OEM products should be verified as to compatibility.

TSC Manufacturing and Supply LLC, 13788 West Road, Suite 100, Houston, Texas 77041, USA!

FLUID END MODULE & ACCESSORIES

TSC WF1300BH (7500 PSI) TSC Manufacturing and Supply, LLC.



TSC Manufacturing and Supply LLC, 13788 West Road, Suite 100, Houston, Texas 77041, USA!

FLUID END MODULE & ACCESSORIES**TSC WF1300BH (7500 PSI)**

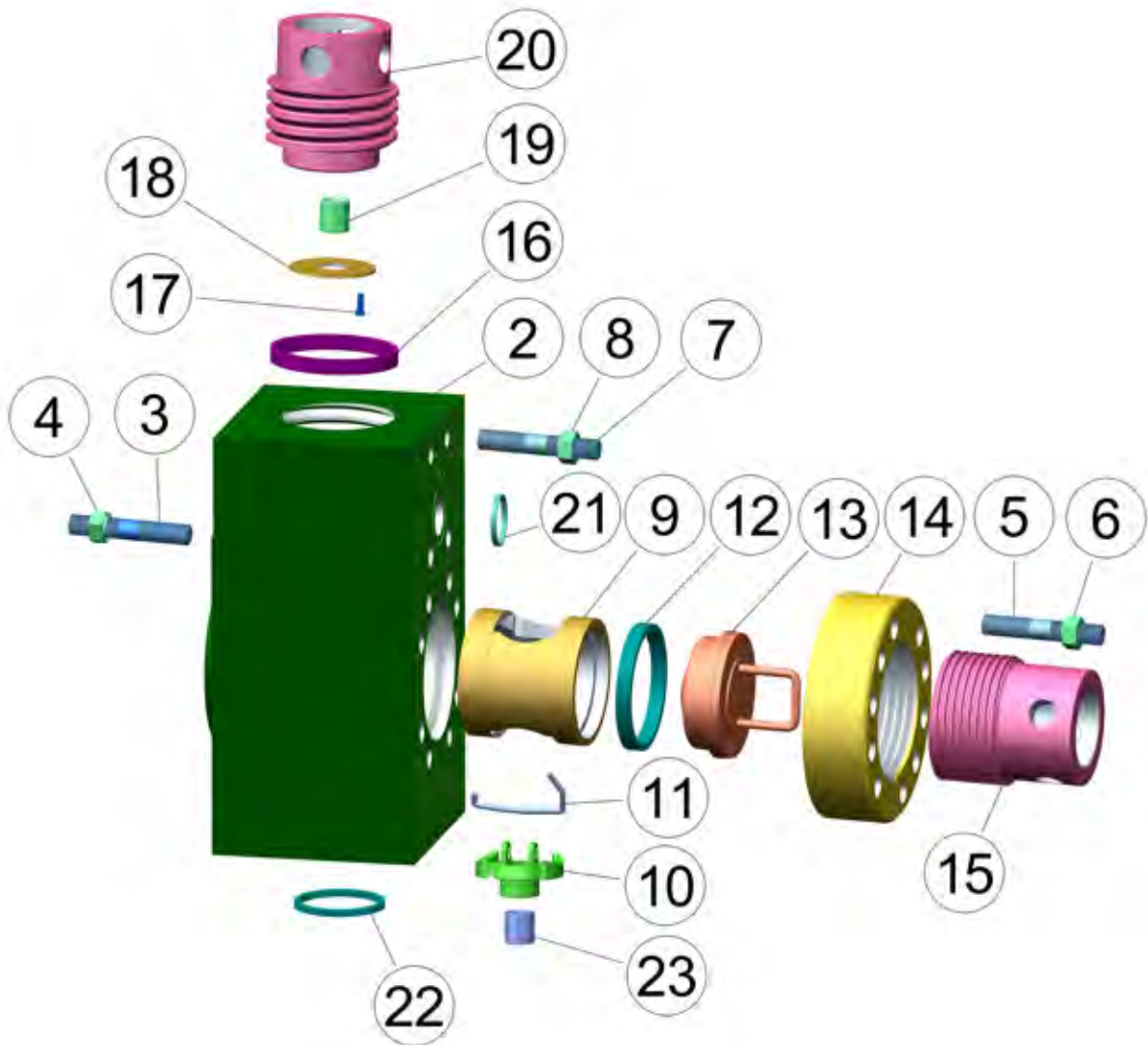
ITEM	PART NUMBER	DESCRIPTION	QTY/PUMP
	TS-FEMWF1300BH75CA	FLUID END MODULE COMPLETE ASSEMBLY	3
1	030406-105-0200AS	FLUID END MODULE STUDDED	3
2	030406-105-0200A	FLUID END MODULE ONLY	3
3	TS-302PZL110	STUD, LINER CLAMP & DISCHARGE MANIFOLD	48
4	030405-105-0800A	STUD, FLUID CYLINDER TO FRAME (UPPER)	6
5	030405-105-0900A	STUD, FLUID CYLINDER TO FRAME (LOWER)	6
6	TS-301PZL110	STUD, VALVE COVER	72
7	TS-50B36	NUT	168
8	TS-303PZL316	SEAL, WEAR PLATE	3
9	TS-302PZL483	GUIDE, VALVE (UPPER)	3
10	TS-301PZL234	WEAR PLATE	3
11	030405-105-0500A	RETAINER, VALVE GUIDE	3
12	TS-309PZL316	SEAL, CYLINDER HEAD & VALVE COVER	6
13	TS-302PZL147	COVER, VALVE (UPPER)	3
14	TS-15P27	EYE BOLT	6
15	TS-300PZL387	RING, THREADED	6
16	TS-300PZL587	COVER LOCK	6
17	TS-25G41	GASKET, SUCTION MANIFOLD	3
18	UBL1-312-010-0018	BOLT, SUCTION MANIFOLD	24
19	UWS2-112-AH3	LOCK WASHER, SUCTION MANIFOLD	24
20	UWS1-112-AH3	WASHER, SUCTION MANIFOLD	24
21	56000375	O-RING, DISCHARGE MANIFOLD	3
22	TS-300PZL229	BUSHING	12
23	TS-303PZL147	COVER, VALVE (LOWER)	3
24	030406-105-0500A	GUIDE, VALVE (LOWER)	3
25	TS-300PZL455	LINER CLAMP	3

TSC does not warrant or represent that any of such information is accurate, or that any products listed are compatible with each other.
Any deviations from the OEM products should be verified as to compatibility.

TSC Manufacturing and Supply LLC, 13788 West Road, Suite 100, Houston, Texas 77041, USA!

FLUID END MODULE & ACCESSORIES

TSC WF1300C
TSC Manufacturing and Supply, LLC.



TSC Manufacturing and Supply LLC, 13788 West Road, Suite 100, Houston, Texas 77041, USA!

FLUID END MODULE & ACCESSORIES

TSC WF1300C

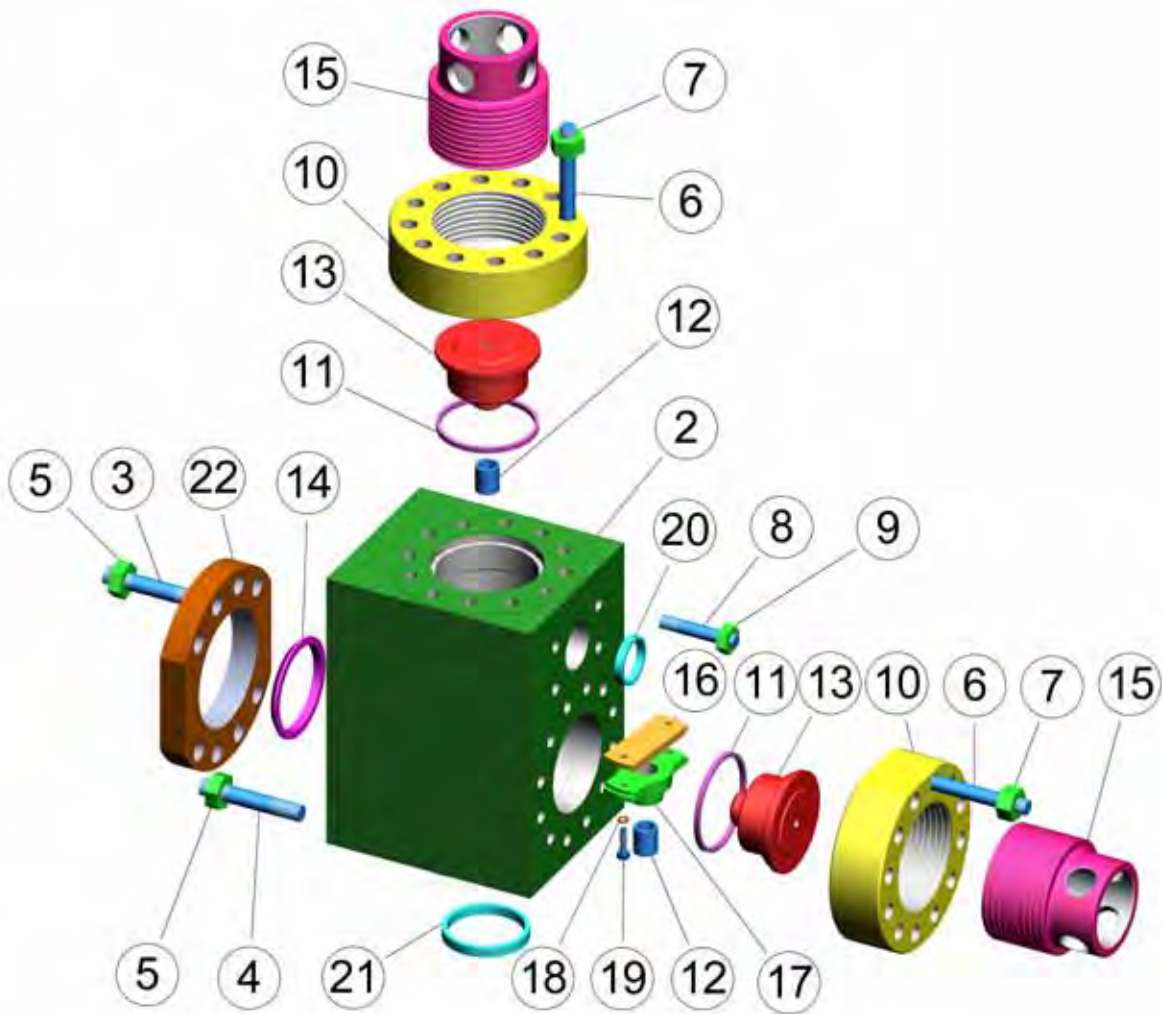
ITEM	PART NUMBER	DESCRIPTION	QTY/PUMP
	TS-EMSFEF1000CA	FLUID END MODULE COMPLETE ASSEMBLY (INCLUDES ITEM 2-23)	3
1	TS-6999-0086-02	FLUID END MODULE STUDED (INCLUDES ITEM 2-8)	3
2	TS-6999-0087-02	FLUID END MODULE (UNSTUDED)	3
3	TS-7507-2205-00	STUD FRAME	18
4	TS-7601-0630-17	NUT (FOR ABOVE)	18
5	TS-7507-2150-00	STUD, THREADED RING	30
6	TS-7601-0630-28	NUT (FOR ABOVE)	30
7	TS-7507-2108-00	STUD, DISCHARGE MANIFOLD	12
8	TS-7601-0630-24	NUT (FOR ABOVE)	12
9	TS-6319-0026-00	CAGE, LINER	3
10	TS-6319-0087-00	GUIDE, LOWER VALVE (WITH BUSHING)	3
11	TS-6319-0089-00	CLIP, LOCKING (FOR LOWER VALVE GUIDE)	3
12	TS-7602-2200-32	GASKET, LINER/ CYLINDER HEAD (G-282)	6
13	TS-6319-0031-00	PLUG, CYLINDER HEAD	3
14	TS-6999-0089-00	RING, THREADED CYLINDER HEAD	3
15	TS-6319-0090-00	CAP, THREADED CYLINDER HEAD	3
16	TS-6319-0076-00	GASKET, VALVE COVER (G-740)	3
17	TS-7501-0051-00	SCREW, RETAINER (UPPER)	12
18	TS-6397-0603-00	RETAINER PLATE (UPPER)	3
19	TS-6397-0575-00	GUIDE, UPPER VALVE	3
20	TS-6319-0027-00	COVER, VALVE POT	3
21	TS-7602-1610-46	GASKET, DISCHARGE MANIFOLD	3
22	TS-7602-1600-61	GASKET, SUCTION MANIFOLD	3
23	TS-6316-0096-00	BUSHING, LOWER VALVE GUIDE	3
24	TMF10-STUDSET	F-800/1000 STUDS AND NUTS SET (INCLUDES 6 PCS TS-7507-2205-00, 6 PCS TS-7601-0630-17, 10 PCS TS-7507-2150-00, 10 PCS TS-7601-0630-28, 4 PCS TS-7507-2108-00, 4 PCS TS-7601-0630-24)	3
25	TMF10-SEALKIT	F-800/1000 MODULE SEAL KIT (INCLUDES ONE G-282, ONE G-740, ONE TS-7602-1610-46, ONE TS- 7602-1600-61)	3

TSC does not warrant or represent that any of such information is accurate, or that any products listed are compatible with each other.
Any deviations from the OEM products should be verified as to compatibility.

TSC Manufacturing and Supply LLC, 13788 West Road, Suite 100, Houston, Texas 77041, USA!

FLUID END MODULE & ACCESSORIES

TSC WF1600L TSC Manufacturing and Supply, LLC.



TSC Manufacturing and Supply LLC, 13788 West Road, Suite 100, Houston, Texas 77041, USA!

FLUID END MODULE & ACCESSORIES**TSC WF1600L**

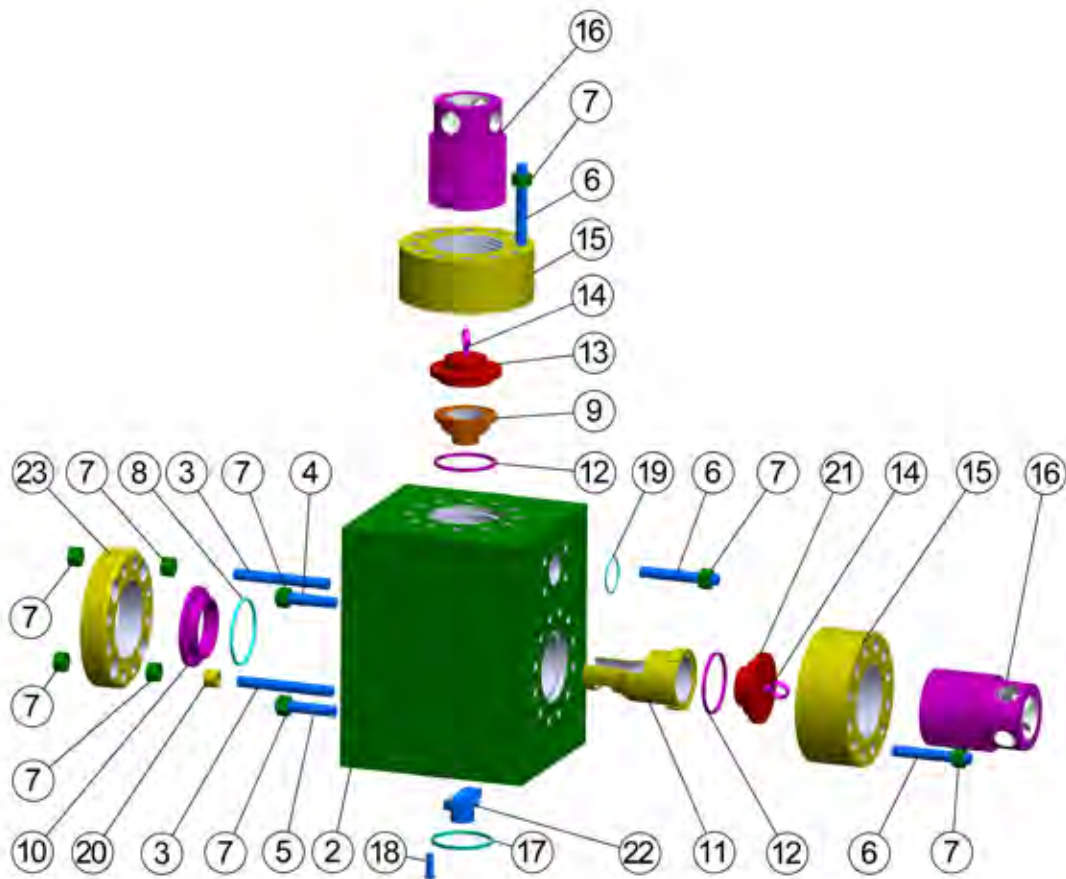
ITEM	PART NUMBER	DESCRIPTION	QTY/PUMP
	TS-FEMPZ1011WPCA	FLUID END MODULE COMPLETE ASSEMBLY (INCLUDES ITEM 2-13, 15-22)	3
1	TS-202PZL029B	FLUID END MODULE STUDED (INCLUDES ITEM 2-9)	3
2	TS-202-6651-20	FLUID END MODULE ONLY	3
3	TS-201PZL110	STUD, FRAME & LINER CLAMP LONG	24
4	TS-205PZL110	STUD, SHORT	24
5	TS-50B36	NUT, FRAME & LINER CLAMP STUD	72
6	TS-204PZL110	STUD	72
7	TS-50B34	NUT (FOR ABOVE)	72
8	TS-202PZL110	STUD, DISCHARGE MANIFOLD	12
9	TS-50B34	NUT (FOR ABOVE STUD) (SAME AS ITEM 6)	12
10	TS-200PL387	RING, VALVE COVER THREADED	6
11	TS-204PZL715	GASKET, VALVE COVER (G-798Z)	6
12	TS-2007674	BUSHING, VALVE GUIDE	6
13	TS-200PZL147	COVER, VALVE	6
14	TS-25AL37	LINER GASKET (G-692)	3
15	TS-200PZL587	CAP, VALVE COVER LOCK	6
16	TS-2011701	PLATE, RETAINER	3
17	TS-200PZL483	GUIDE, VALVE SUCTION	3
18	TS-95W2	WASHER, LOCK 1/2" 316SS	6
19	TS-655EE065	SCREW 1/2" x 1-3/4" 316SS HX HD C/S	6
20	TS-25AL35	GASKET, DISCHARGE MANIFOLD	3
21	TS-25G41	GASKET, SUCTION MANIFOLD	3
22	TS-200PZL455	CLAMP, LINER	3
23	TS-200PZL483A	ASSEMBLY, LOWER VALVE GUIDE(INCLUDES ITEM 12,16,17,18,19)	3
24	TMPZ11-STUSET	PZ-10/11 STUDS AND NUTS SET (INCLUDES 8 PCS TS-201PZL110, 8 PCS TS-205PZL110, 24 PCS TS-50B36, 24 PCS TS-204PZL110, 28 PCS TS-50B34, 4 PCS TS- 202PZL110)	3
25	TMPZ11-SEALKIT	PZ-10/11 MODULE SEAL KIT (INCLUDES TWO G-798Z, ONE TS-25AL35, ONE TS-25G41)	3

TSC does not warrant or represent that any of such information is accurate, or that any products listed are compatible with each other.
Any deviations from the OEM products should be verified as to compatibility.

TSC Manufacturing and Supply LLC, 13788 West Road, Suite 100, Houston, Texas 77041, USA!

FLUID END MODULE & ACCESSORIES

**TSC WF1600LH (7500 PSI)
TSC Manufacturing and Supply, LLC.**



TSC Manufacturing and Supply LLC, 13788 West Road, Suite 100, Houston, Texas 77041, USA!

FLUID END MODULE & ACCESSORIES**TSC WF1600LH (7500 PSI)**

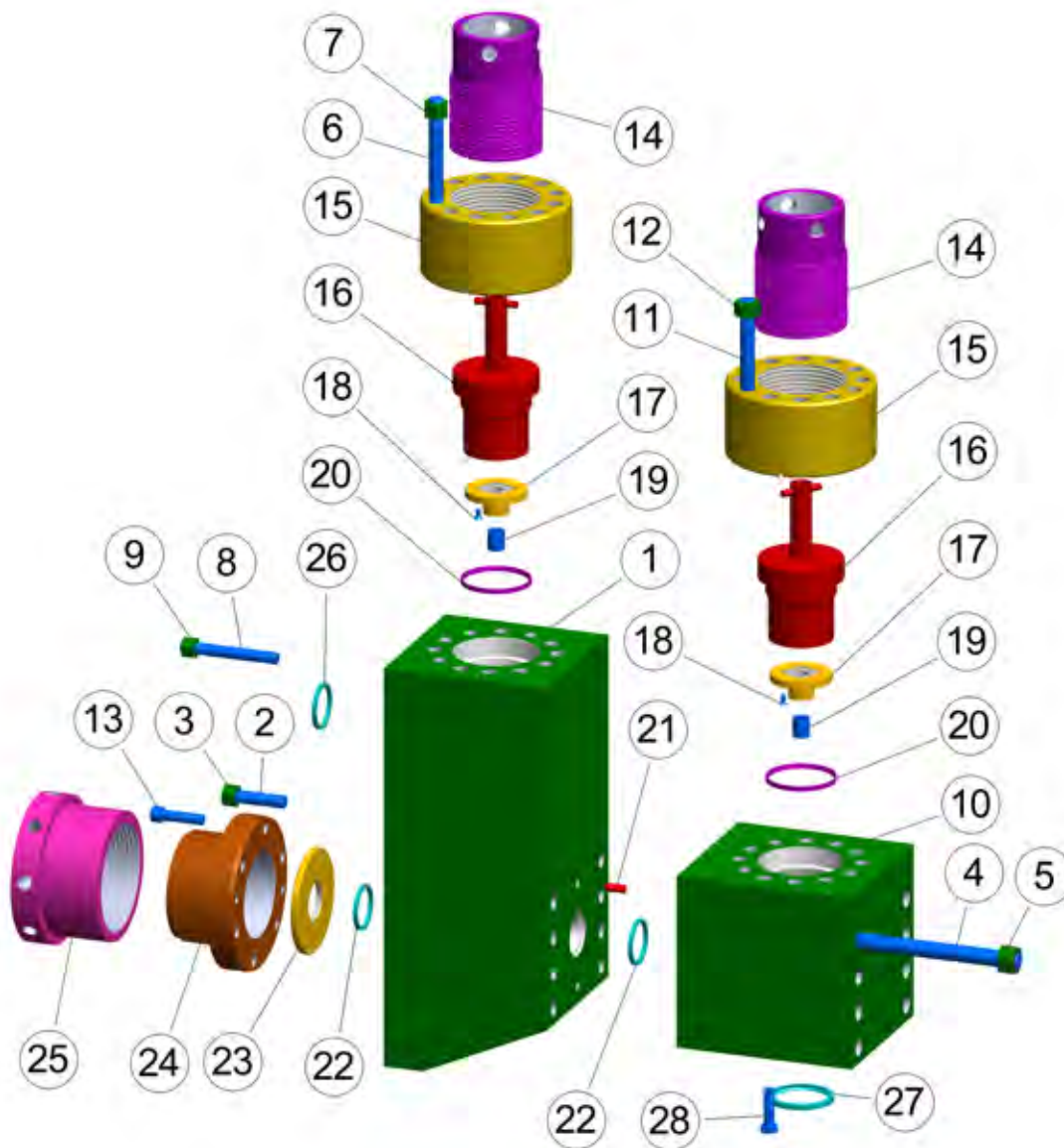
ITEM	PART NUMBER	DESCRIPTION	QTY/PUMP
		FLUID END MODULE COMPLETE ASSEMBLY (INCLUDES ITEM 2-23)	3
1	TS-300PZL2039OE	FLUID END MODULE STUDDED (INCLUDES ITEM 2-7)	3
2	TS-300PZL029	FLUID END MODULE ONLY	3
3	TS-302PZL110OE	STUD, LINER CLAMP & DISCHARGE MANIFOLD	48
4	TS-300PZL110OE	STUD, FLUID CYLINDER TO FRAME ALIGNMENT(UPPER)	6
5	TS-303PZL110OE	STUD, FLUID CYLINDER TO FRAME (LOWER)	6
6	TS-301PZL110OE	STUD,THREADED RING	72
7	TS-50B36	NUT (FOR ABOVE)	168
8	TS-316PZL316	SEAL, WEAR PLATE	3
9	TS-302PZL483	GUIDE,VALVE (UPPER)	3
10	TS-301PZL234	WEAR PLATE	3
11	TS-301PZL205	RETAINER, VALVE GUIDE	3
12	TS-309PZL316	SEAL, CYLINDER HEAD & VALVE COVER	6
13	TS-302PZL147	COVER, VALVE(UPPER)	3
14	TS-15P27	EYE BOLT	6
15	TS-300PZL387	RING, THREADED	6
16	TS-300PZL587	COVER LOCK	6
17	TS-25G41	GASKET, SUCTION MANIFOLD	3
18	TS-UBL1-312-010-0018	SCREW, SUCTION MANIFOLD	24
19	TS-56000375	GASKET,DISCHARGE MANIFOLD	3
20	TS-300PZL229	BUSHING	12
21	TS-303PZL147	COVER, VALVE(LOWER)	3
22	TS-303PZL483	GUIDE,VALVE (LOWER)	3
23	TS-300PZL455	LINER CLAMP	3
24	TMWF1600LH-STUDSSET	PZ-11 HP STUDS AND NUTS SET (INCLUDES 12 PCS TS-302PZL110OE, 2 PCS TS-300PZL110OE, 2 PCS TS-303PZL110OE, 56 PCS TS-50B36, 28 PCS TS- 302PZL110OE)	3
25	TMWF1600LH-SEALKIT	PZ-11 HP MODULE SEAL KIT (INCLUDES TWO TS-309PZL316, ONE TS-303PZL316, ONE TS- 25G41, ONE TS56000375)	3

TSC does not warrant or represent that any of such information is accurate, or that any products listed are compatible with each other.
Any deviations from the OEM products should be verified as to compatibility.

TSC Manufacturing and Supply LLC, 13788 West Road, Suite 100, Houston, Texas 77041, USA!

FLUID END MODULE & ACCESSORIES

**TSC WF1600BH (7500 PSI WORKING PRESSURE)
TSC Manufacturing and Supply, LLC.**



TSC Manufacturing and Supply LLC, 13788 West Road, Suite 100, Houston, Texas 77041, USA!

FLUID END MODULE & ACCESSORIES

TSC WF1600BH (7500 PSI WORKING PRESSURE)

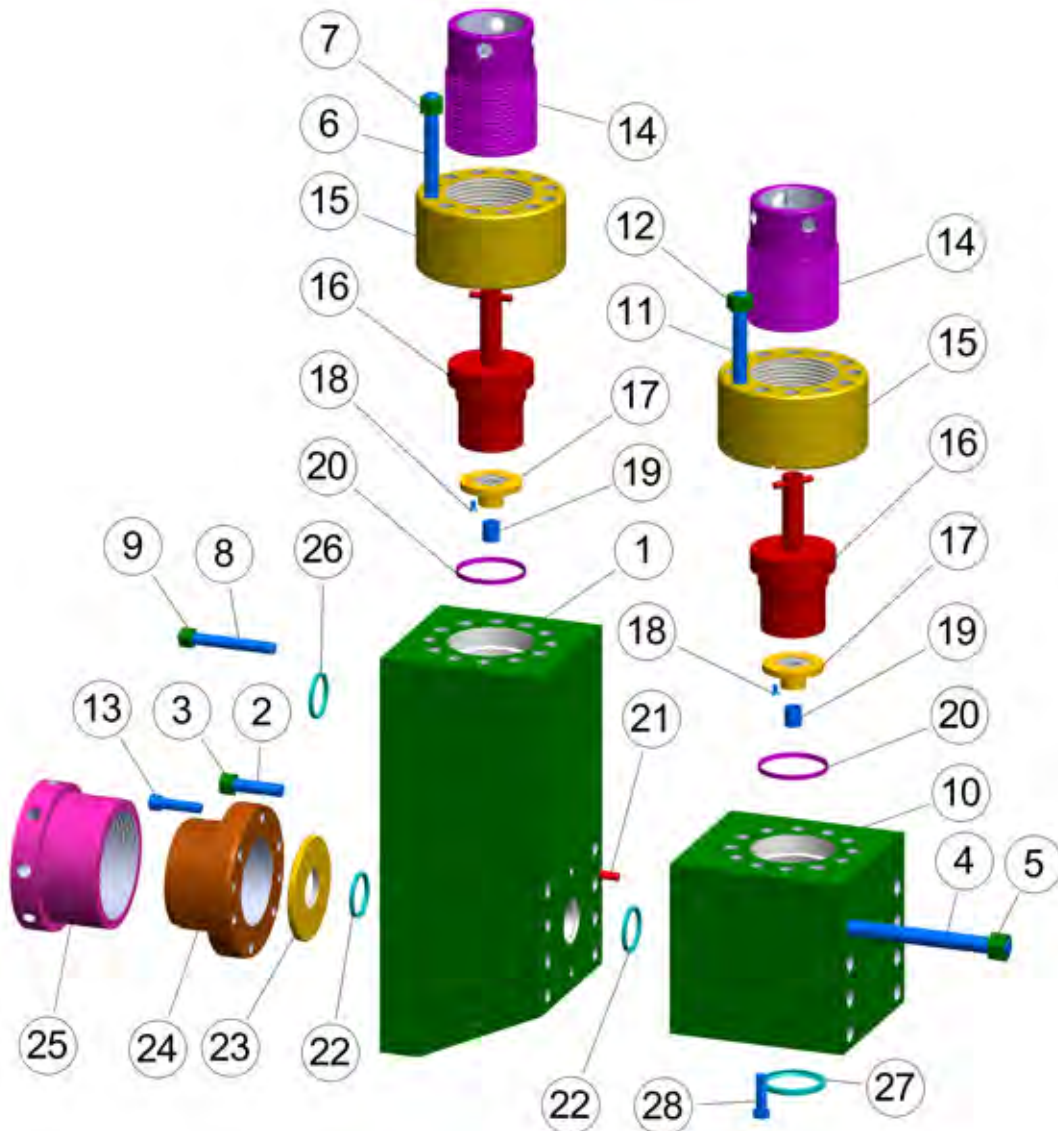
ITEM	PART NUMBER	DESCRIPTION	QTY/PUMP
	TS-80704032OE	FLUID END MODULE COMPLETE ASSEMBLY	3
1	TS-80704000	MODULE, DISCHARGE ONLY	3
2	TS-NAT12P160PFSSOE	STUD, POWER FRAME	30
3	TS-NAT8P80TRSN	NUT, POWER FRAME STUD	30
4	TS-80704002	STUD, DISCHARGE TO SUCTION MODULE	24
5	TS-PEP55	NUT, DISCHARGE TO SUCTION STUD	24
6	TS-80700014	STUD, THREADED RING	36
7	TS-6300240	NUT, THREADED RING STUD	36
8	TS-IDT800DMSOE	STUD, DISCHARGE MANIFOLD	12
9	TS-IDT800TRSN	NUT, DISCHARGE MANIFOLD STUD	12
10	TS-80704001	MODULE, SUCTION ONLY	3
11	TS-80700014	STUD, THREADED RING	36
12	TS-6300240	NUT, THREADED RING STUD	36
13	TS-PEP75	STUD, LINER BUSHING	18
14	TS-80704004	CAP, THREAD	6
15	TS-80704003	RING, THREAD	6
16	TS-80704005	VALVE COVER	6
17	TS-12PVGASW	VALVE GUIDE	6
18	TS-7007303	CAP SCREW, VALVE GUIDE	12
19	TS-2007674	BUSHING, VALVE GUIDE	6
20	P-129	SEAL, VALVE COVER	6
21	TS-6511416	PIN, DOWEL	6
22	TS-1290344	GASKET, WEAR PLATE AND LINER	6
23	TS-PP602160SW	WEAR LPATE	3
24	TS-12PLASW	FLANGE, LINER RETAINER (LINER BUSHING)	3
25	TS-12PLANSW	NUT, LINER RETAINER	3
26	TS-99609235	SEAL, DISCHARGE MANIFOLD	3
27	TS-1540851	GASKET, SUCTION MANIFOLD	3
28	TS-700048511	CAP SCREW, SUCTION MANIFOLD	24

TSC does not warrant or represent that any of such information is accurate, or that any products listed are compatible with each other.
Any deviations from the OEM products should be verified as to compatibility.

TSC Manufacturing and Supply LLC, 13788 West Road, Suite 100, Houston, Texas 77041, USA!

FLUID END MODULE & ACCESSORIES

**TSC WF2000 (7500 PSI WORKING PRESSURE)
TSC Manufacturing and Supply, LLC.**



TSC Manufacturing and Supply LLC, 13788 West Road, Suite 100, Houston, Texas 77041, USA!

FLUID END MODULE & ACCESSORIES**TSC WF2000 (7500 PSI WORKING PRESSURE)**

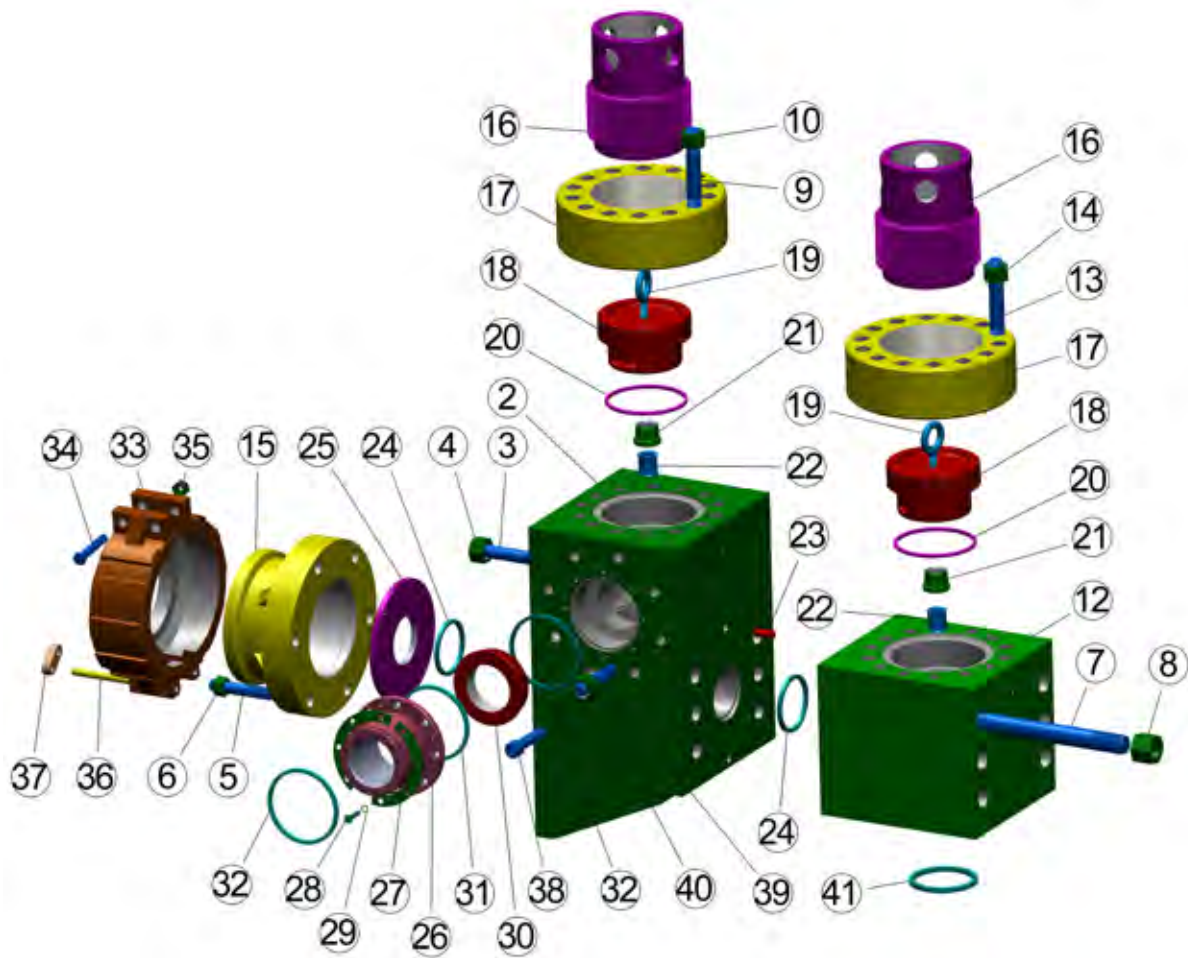
ITEM	PART NUMBER	DESCRIPTION	QTY/PUMP
	TS-80704032OE	FLUID END MODULE COMPLETE ASSEMBLY	3
1	TS-80704000	MODULE, DISCHARGE ONLY	3
2	TS-NAT12P160PFSOE	STUD, POWER FRAME	30
3	TS-NAT8P80TRSN	NUT, POWER FRAME STUD	30
4	TS-80704002	STUD, DISCHARGE TO SUCTION MODULE	24
5	TS-PEP55	NUT, DISCHARGE TO SUCTION STUD	24
6	TS-80700014	STUD, THREADED RING	36
7	TS-6300240	NUT, THREADED RING STUD	36
8	TS-IDT800DMSOE	STUD, DISCHARGE MANIFOLD	12
9	TS-IDT800TRSN	NUT, DISCHARGE MANIFOLD STUD	12
10	TS-80704001	MODULE, SUCTION ONLY	3
11	TS-80700014	STUD, THREADED RING	36
12	TS-6300240	NUT, THREADED RING STUD	36
13	TS-PEP75	STUD, LINER BUSHING	18
14	TS-80704004	CAP, THREAD	6
15	TS-80704003	RING, THREAD	6
16	TS-80704005	VALVE COVER	6
17	TS-12PVGASW	VALVE GUIDE	6
18	TS-7007303	CAP SCREW, VALVE GUIDE	12
19	TS-PZ789VGI	BUSHING, VALVE GUIDE	6
20	TS-P-129	SEAL, VALVE COVER	6
21	TS-6511416	PIN, DOWEL	6
22	TS-1290344	GASKET, WEAR PLATE AND LINER	6
23	TS-PP602160SW	WEAR LPATE	3
24	TS-12PLASW	FLANGE, LINER RETAINER (LINER BUSHING)	3
25	TS-12PLANSW	NUT, LINER RETAINER	3
26	TS-99609235	SEAL, DISCHARGE MANIFOLD	3
27	TS-1540851	GASKET, SUCTION MANIFOLD	3
28	TS-700048511	CAP SCREW, SUCTION MANIFOLD	24

TSC does not warrant or represent that any of such information is accurate, or that any products listed are compatible with each other.
Any deviations from the OEM products should be verified as to compatibility.

TSC Manufacturing and Supply LLC, 13788 West Road, Suite 100, Houston, Texas 77041, USA!

FLUID END MODULE & ACCESSORIES

TSC WF2200 TSC Manufacturing and Supply, LLC.



TSC Manufacturing and Supply LLC, 13788 West Road, Suite 100, Houston, Texas 77041, USA!

FLUID END MODULE & ACCESSORIES**TSC WF2200**

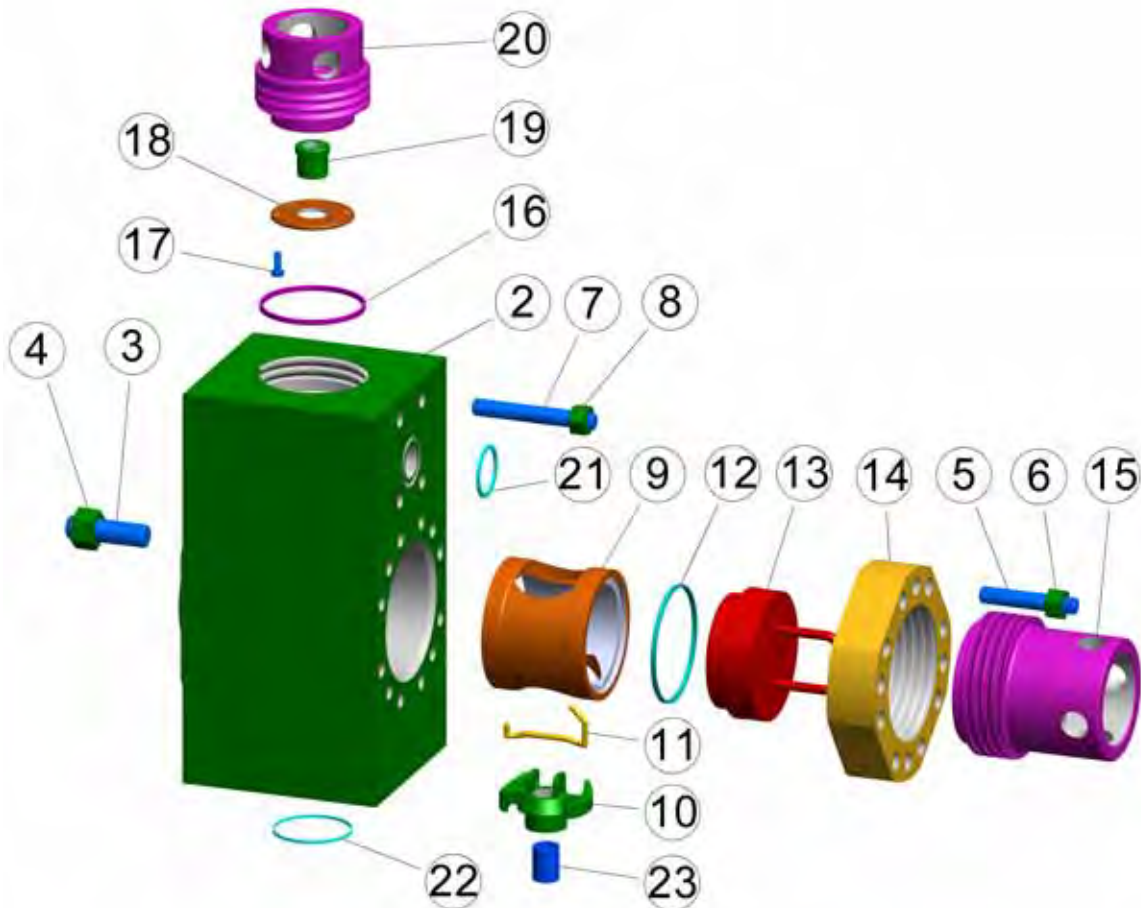
ITEM	PART NUMBER	DESCRIPTION	QTY/PUMP
	TS-80718020	ASSY, COMPLETE FLUID END W/ VALVE SERVICE & SUCTION MANIFOLD	3
1	TS-1295240	MODULE, STUDED FLUID END DISCHARGE (INCLUDES ITEMS 2-10)	3
2	TS-1295241	DISCHARGE MODULE ONLY	3
3	TS-2408027	STUD, POWER FRAME	30
4	TS-6300240	NUT, POWER FRAME STUD	30
5	TS-2408047	STUD, LINER BUSHING	18
6	TS-6300200	NUT, LINER BUSHING STUD	18
7	TS-2408048	STUD, SUCTION TO DISCHARGE MODULE	18
8	TS-6300320	NUT, SUCTION TO DISCHARGE MODULE STUD	18
9	TS-2408049	STUD, VALVE COVER	42
10	TS-6300240	NUT, VALVE COVER STUD	42
11	TS-1295243	MODULE, STUDED FLUID END SUCTION (INCLUDES ITEMS 12-14)	3
12	TS-1295244	SUCTION MODULE ONLY	3
13	TS-2408049	STUD, VALVE COVER	42
14	TS-6300240	NUT, VALVE COVER STUD	42
15	TS-1295165	BUSHING, LINER	3
16	TS-1295172	CAP, VALVE COVER (THREADED)	6
17	TS-1295176	RING, THREADED	6
18	TS-1295174	RETAINER, SEAL	6
19	TS-7601-0040-11	PULLER, SEAL RETAINER	6
20	TS-1540163	SEAL, VALVE COVER	6
21	TS-1292140	HOLDER, VALVE GUIDE INSERT	6
22	TS-1292141	INSERT, VALVE GUIDE	6
23	TS-6511416	PIN, DOWELL	6
24	TS-1295257	SEAL, MODULE & WEAR PLATE	6
25	TS-1295266	PLATE, WEAR	3
26	TS-1295252	CONNECTOR, DISCHARGE	2
27	TS-1295175	RING, DISCHARGE CONNECTOR BACK UP	4
28	TS-700030711	CAPSCREW, DISCHARGE CONNECTOR	16
29	TS-7619050	WASHER, DISCHARGE CONNECTOR CAPSCREW	16
30	TS-1295253	ADAPTER, DISCHARGE CONNECTOR	2
31	TS-2410031438	SEAL, DISCHARGE CONNECTOR TO DISCHARGE ADAPTER	2
32	TS-2410031440	SEAL, DISCHARGE CONNECTOR & DISCHARGE ADAPTER	4
33	TS-1295166	CLAMP COMPLETE, LINER	3
34	TS-700049110	CAPSCREW, LINER CLAMP	6
35	TS-6309140	NUT, LINER CAPSCREW	6
36	TS-1295169	PIN, LINER CLAMP	6
37	TS-1295168	CONNECTOR, LINER CLAMP	6
38	TS-7006609	CAPSCREW, DISCHARGE SPACER FLANGE	24
39	TS-2408014	STUD, DISCHARGE FLANGE	24
40	TS-6300180	NUT, DISCHARGE FLANGE STUD	24
41	TS-1540021	SEAL, SUCTION MANIFOLD	3

TSC does not warrant or represent that any of such information is accurate, or that any products listed are compatible with each other.
Any deviations from the OEM products should be verified as to compatibility.

TSC Manufacturing and Supply LLC, 13788 West Road, Suite 100, Houston, Texas 77041, USA!

FLUID END MODULE & ACCESSORIES

CONTINENTAL EMSCO F-350, F-500, F650 TSC Manufacturing and Supply, LLC.



TSC Manufacturing and Supply LLC, 13788 West Road, Suite 100, Houston, Texas 77041, USA!

FLUID END MODULE & ACCESSORIES**CONTINENTAL EMSCO F-350, F-500, F650**

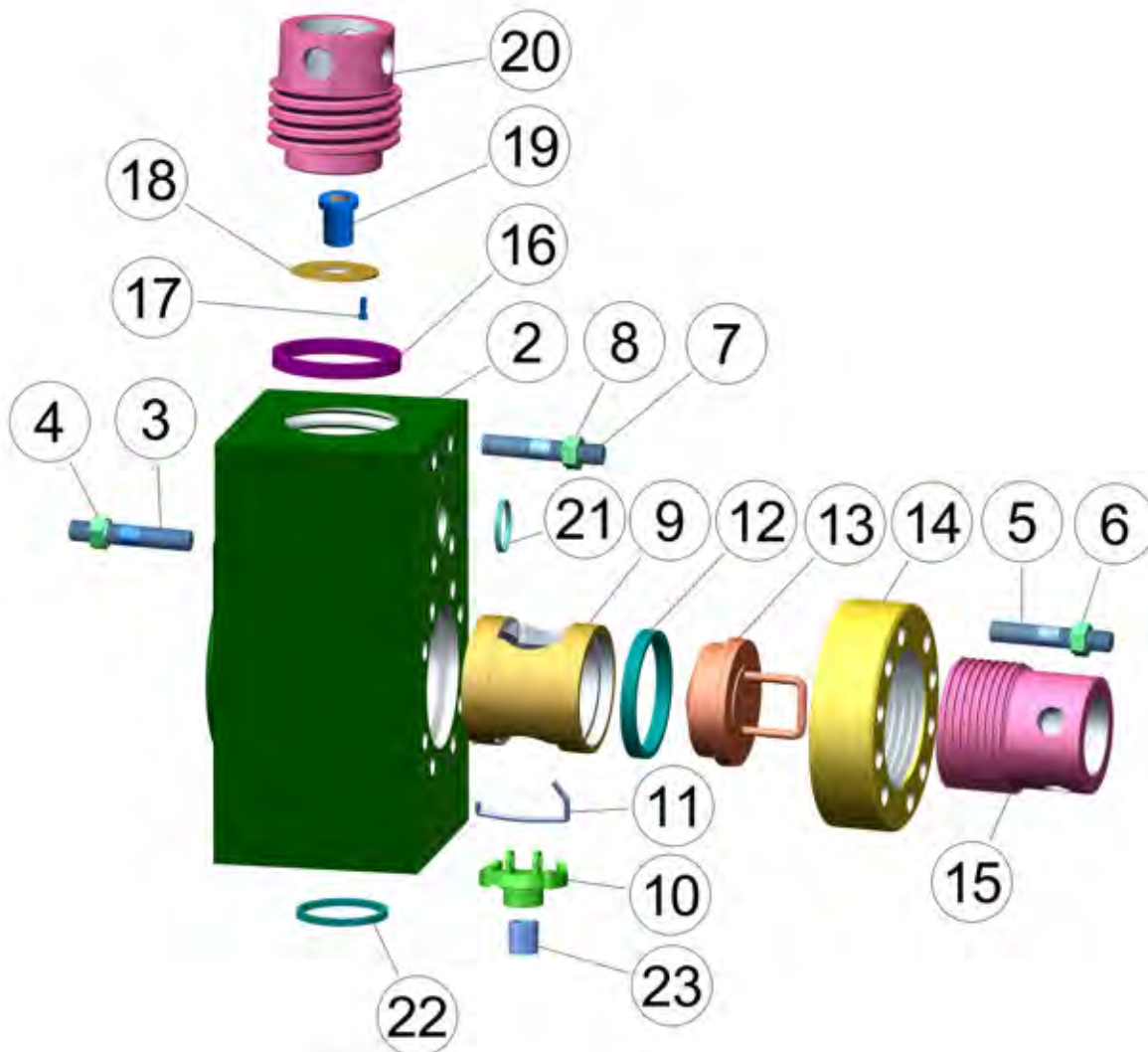
ITEM	PART NUMBER	DESCRIPTION	QTY/PUMP
	TS-EMSFEMF500CA	FLUID END MODULE COMPLETE ASSEMBLY (INCLUDES ITEM 2-23)	3
1	TS-6318-0151-00	FLUID END MODULE STUDDED (INCLUDES ITEM 2-8)	3
2	TS-6318-0151-00U	FLUID END MODULE (UNSTUDDDED)	3
3	TS-7507-2207-00	STUD FRAME	18
4	TS-7601-0630-17	NUT (FOR ABOVE)	18
5	TS-7507-3402-00	STUD, THREADED RING	36
6	TS-7601-0630-26	NUT (FOR ABOVE)	36
7	TS-7507-3407-00	STUD, DISCHARGE MANIFOLD	12
8	TS-7601-0630-26	NUT (FOR ABOVE)	12
9	TS-6318-0148-00	CAGE, LINER	3
10	TS-6318-0177-00	GUIDE, LOWER VALVE (WITH BUSHING)	3
11	TS-6318-0153-00	CLIP, LOCKING (FOR LOWER VALVE GUIDE)	3
12	TS-7602-2200-34	GASKET, LINER/ CYLINDER HEAD (G-281)	6
13	TS-6318-0158-00	PLUG, CYLINDER HEAD	3
14	TS-6318-0130-00	RING, THREADED CYLINDER HEAD	3
15	TS-6318-0157-00	CAP, THREADED CYLINDER HEAD	3
16	TS-6310-0084-00	GASKET, VALVE COVER (G-733)	3
17	TS-7501-0051-00	SCREW, RETAINER (UPPER)	12
18	TS-6310-0133-00	RETAINER PLATE (UPPER)	3
19	TS-6397-0602-00	GUIDE, UPPER VALVE	3
20	TS-6310-0016-01	COVER, VALVE POT	3
21	TS-7602-1600-23	GASKET, DISCHARGE MANIFOLD	3
22	TS-7602-1600-38	GASKET, SUCTION MANIFOLD	3
23	TS-6318-0155-00	BUSHING, LOWER VALVE GUIDE	3
24	TMF05-STUDSET	F-500 STUDS AND NUTS SET(INCLUDES 6 PCS TS-7507-2207-00, 6 PCS TS-7601-0630-17, 12 PCS TS-7507-3402-00, 16 PCS TS-7601- 0630-26, 4 PCS TS-7507-3407-00)	3
25	TMF05-SEALKIT	F-800/1000 MODULE SEAL KIT (INCLUDES ONE G-282, ONE G-740, ONE TS-7602-1610-46, ONE TS- 7602-1600-61)	3

TSC does not warrant or represent that any of such information is accurate, or that any products listed are compatible with each other.
Any deviations from the OEM products should be verified as to compatibility.

TSC Manufacturing and Supply LLC, 13788 West Road, Suite 100, Houston, Texas 77041, USA!

FLUID END MODULE & ACCESSORIES

CONTINENTAL EMSCO F-800, F-1000
TSC Manufacturing and Supply, LLC.



TSC Manufacturing and Supply LLC, 13788 West Road, Suite 100, Houston, Texas 77041, USA!

FLUID END MODULE & ACCESSORIES**CONTINENTAL EMSCO F-800, F-1000**

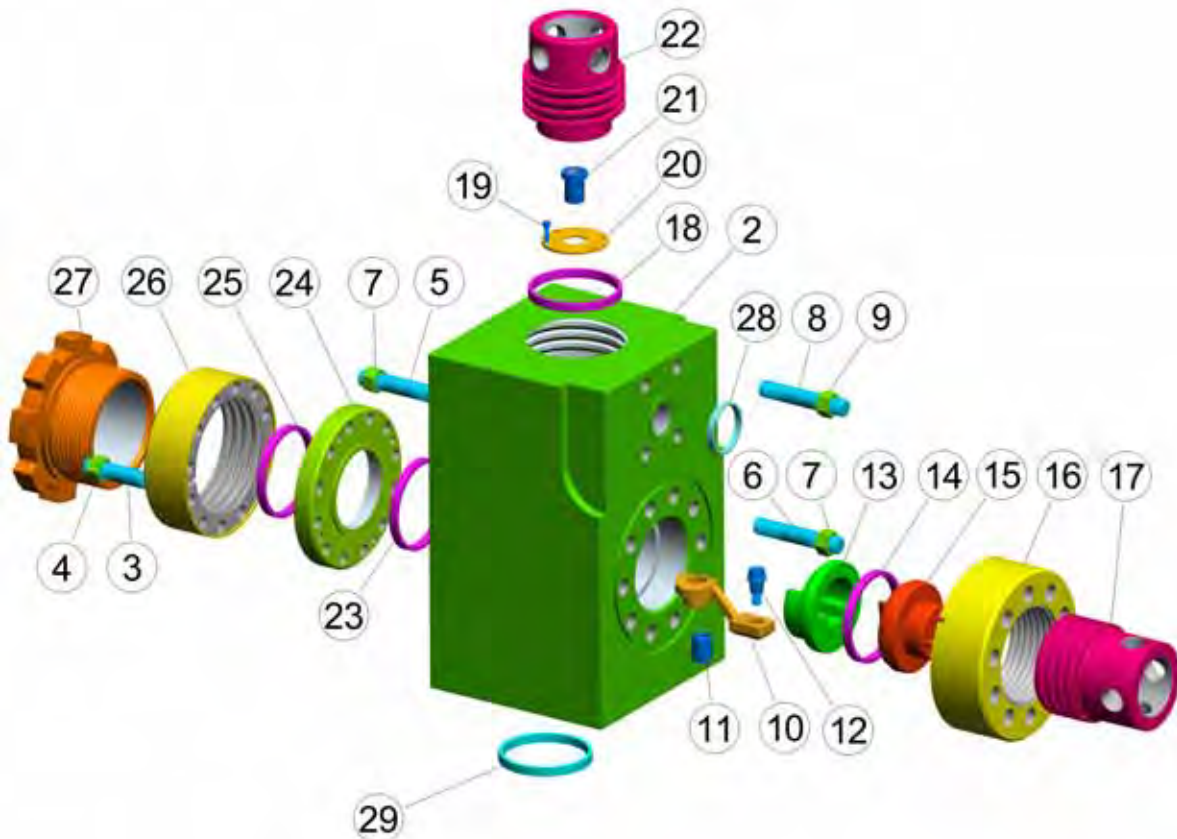
ITEM	PART NUMBER	DESCRIPTION	QTY/PUMP
	TS-EMSFEF1000CA	FLUID END MODULE COMPLETE ASSEMBLY (INCLUDES ITEM 2-23)	3
1	TS-6999-0086-02	FLUID END MODULE STUDDED (INCLUDES ITEM 2-8)	3
2	TS-6999-0087-02	FLUID END MODULE (UNSTUDED)	3
3	TS-7507-2205-00	STUD FRAME	18
4	TS-7601-0630-17	NUT (FOR ABOVE)	18
5	TS-7507-2150-00	STUD, THREADED RING	30
6	TS-7601-0630-28	NUT (FOR ABOVE)	30
7	TS-7507-2108-00	STUD, DISCHARGE MANIFOLD	12
8	TS-7601-0630-24	NUT (FOR ABOVE)	12
9	TS-6319-0026-00	CAGE, LINER	3
10	TS-6319-0087-00	GUIDE, LOWER VALVE (WITH BUSHING)	3
11	TS-6319-0089-00	CLIP, LOCKING (FOR LOWER VALVE GUIDE)	3
12	TS-7602-2200-32	GASKET, LINER/ CYLINDER HEAD (G-282)	6
13	TS-6319-0031-00	PLUG, CYLINDER HEAD	3
14	TS-6999-0089-00	RING, THREADED CYLINDER HEAD	3
15	TS-6319-0090-00	CAP, THREADED CYLINDER HEAD	3
16	TS-6319-0076-00	GASKET, VALVE COVER (G-740)	3
17	TS-7501-0051-00	SCREW, RETAINER (UPPER)	12
18	TS-6397-0603-00	RETAINER PLATE (UPPER)	3
19	TS-6397-0575-00	GUIDE, UPPER VALVE	3
20	TS-6319-0027-00	COVER, VALVE POT	3
21	TS-7602-1610-46	GASKET, DISCHARGE MANIFOLD	3
22	TS-7602-1600-61	GASKET, SUCTION MANIFOLD	3
23	TS-6316-0096-00	BUSHING, LOWER VALVE GUIDE	3
24	TMF10-STUDSET	F-800/1000 STUDS AND NUTS SET(INCLUDES 6 PCS TS-7507-2205-00, 6 PCS TS-7601-0630-17, 10 PCS TS-7507-2150-00, 10 PCS TS-7601-0630- 28, 4 PCS TS-7507-2108-00, 4 PCS TS-7601-0630-24)	3
25	TMF10-SEALKIT	F-800/1000 MODULE SEAL KIT (INCLUDES ONE G-282, ONE G-740, ONE TS-7602-1610-46, ONE TS- 7602-1600-61)	3

TSC does not warrant or represent that any of such information is accurate, or that any products listed are compatible with each other.
Any deviations from the OEM products should be verified as to compatibility.

TSC Manufacturing and Supply LLC, 13788 West Road, Suite 100, Houston, Texas 77041, USA!

FLUID END MODULE & ACCESSORIES

CONTINENTAL EMSCO FB-1300, FB-1600 TSC Manufacturing and Supply, LLC.



TSC Manufacturing and Supply LLC, 13788 West Road, Suite 100, Houston, Texas 77041, USA!

FLUID END MODULE & ACCESSORIES**CONTINENTAL EMSCO FB-1300, FB-1600**

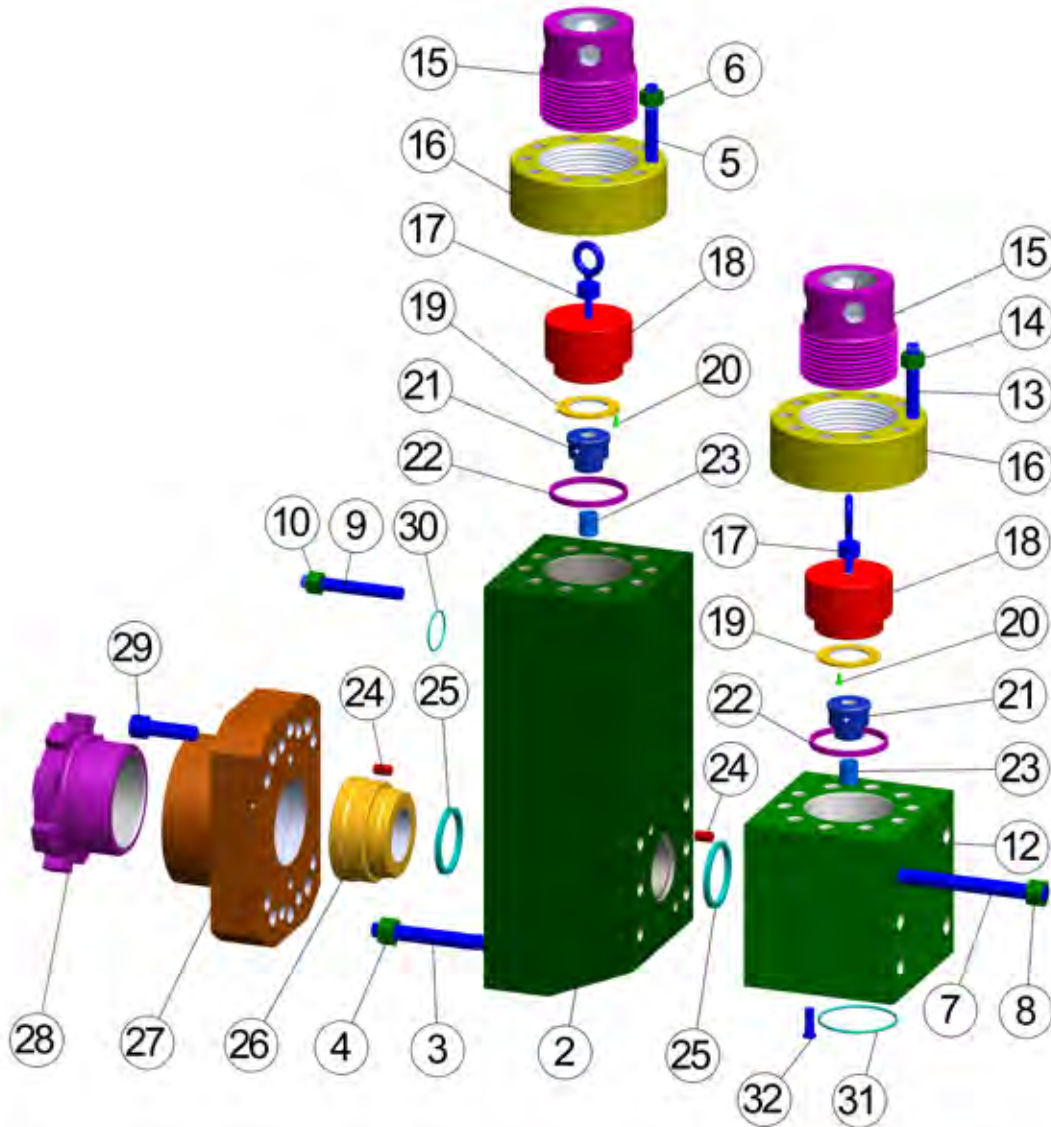
ITEM	PART NUMBER	DESCRIPTION	QTY/PUMP
	TS-6316-0375-00	FLUID END MODULE COMPLETE ASSEMBLY (INCLUDES ITEM 2-24, 26- 29)	3
1	TS-6316-0357-00	FLUID END MODULE STUDED (INCLUDES ITEM 2-9)	3
2	TS-6316-0356-00	FLUID END MODULE ONLY (UNSTUDED)	3
3	TS-7507-2013-00	STUD, MODULE TO LINER CLAMP	36
4	TS-7601-0610-18	LINER CLAMP STUD NUT	36
5	TS-7507-2201-00	POWER FRAME STUD	18
6	TS-7507-2210-00	STUD, MODULE TO CYLINDER	30
7	TS-7601-0630-17	NUT (FOR ABOVE)	48
8	TS-7507-2108-00	STUD, MODULE TO DISC. MANIFOLD	12
9	TS-7601-0630-24	NUT (FOR ABOVE)	12
10	TS-6316-0354-00	GUIDE, LOWER VALVE (WITH BUSHING)	3
11	TS-6316-0096-00	BUSHING, LOWER VALVE GUIDE	3
12	TS-6316-0360-00	LOCKBOLT, LOWER VALVE GUIDE	3
13	TS-6316-0363-00	ALIGNMENT RING	3
14	TS-6316-0369-00	GASKET, HEAD SEAL (G-801)	3
15	TS-6316-0364-00	PLUG, CYLINDER HEAD	3
16	TS-6316-0361-00	RING, THREADED CYLINDER HEAD	3
17	TS-6316-0362-00	CAP, THREADED CYLINDER HEAD	3
18	TS-6316-0092-00	GASKET, VALVE COVER (G-741)	3
19	TS-7501-0051-00	SCREW, RETAINER (UPPER)	12
20	TS-6397-0603-00	PLATE, RETAINER (UPPER)	3
21	TS-6397-0575-00	GUIDE, UPPER VALVE	3
22	TS-6316-0039-00	COVER, VALVE POT	3
23	TS-6316-0373-00	GASKET, WEAR PLATE (G-800)	3
24	TS-6316-0365-00	PLATE, WEAR	3
25	TS-6316-0373-00	GASKET, LINER (G-800)	3
26	TS-6316-0366-00	RING, LINER THREADED	3
27	TS-6316-0367-00	LINER LOCK	3
28	TS-7602-1600-25	GASKET, DISCHARGE MANIFOLD	3
29	TS-7602-1600-61	GASKET, SUCTION MANIFOLD	3
30	TMFB6-STUDSET	FB-1300/1600 STUDS AND NUTS SET (INCLUDES 12 PCS TS-7507-2013-00, 12 PCS TS-7601-0610-18, 6 PCS TS-7507-2201-00, 6 PCS TS-7507-2210-00, 16 PCS TS-7601-0630-17, 4 PCS TS-7507-2108-00, 4 PCS TS-7601-0630-24)	3
31	TMFB6-SEALKIT	FB-1300/1600 MODULE SEAL KIT (INCLUDES ONE G-800, ONE G-741, ONE G-801, ONE TS-7602-1600-25, ONE TS-7602-1600-61)	3

TSC does not warrant or represent that any of such information is accurate, or that any products listed are compatible with each other.
Any deviations from the OEM products should be verified as to compatibility.

TSC Manufacturing and Supply LLC, 13788 West Road, Suite 100, Houston, Texas 77041, USA!

FLUID END MODULE & ACCESSORIES

**EMSCO FC-1600 (7500 PSI)
TSC Manufacturing and Supply, LLC.**



TSC Manufacturing and Supply LLC, 13788 West Road, Suite 100, Houston, Texas 77041, USA!

FLUID END MODULE & ACCESSORIES**EMSCO FC-1600 (7500 PSI)**

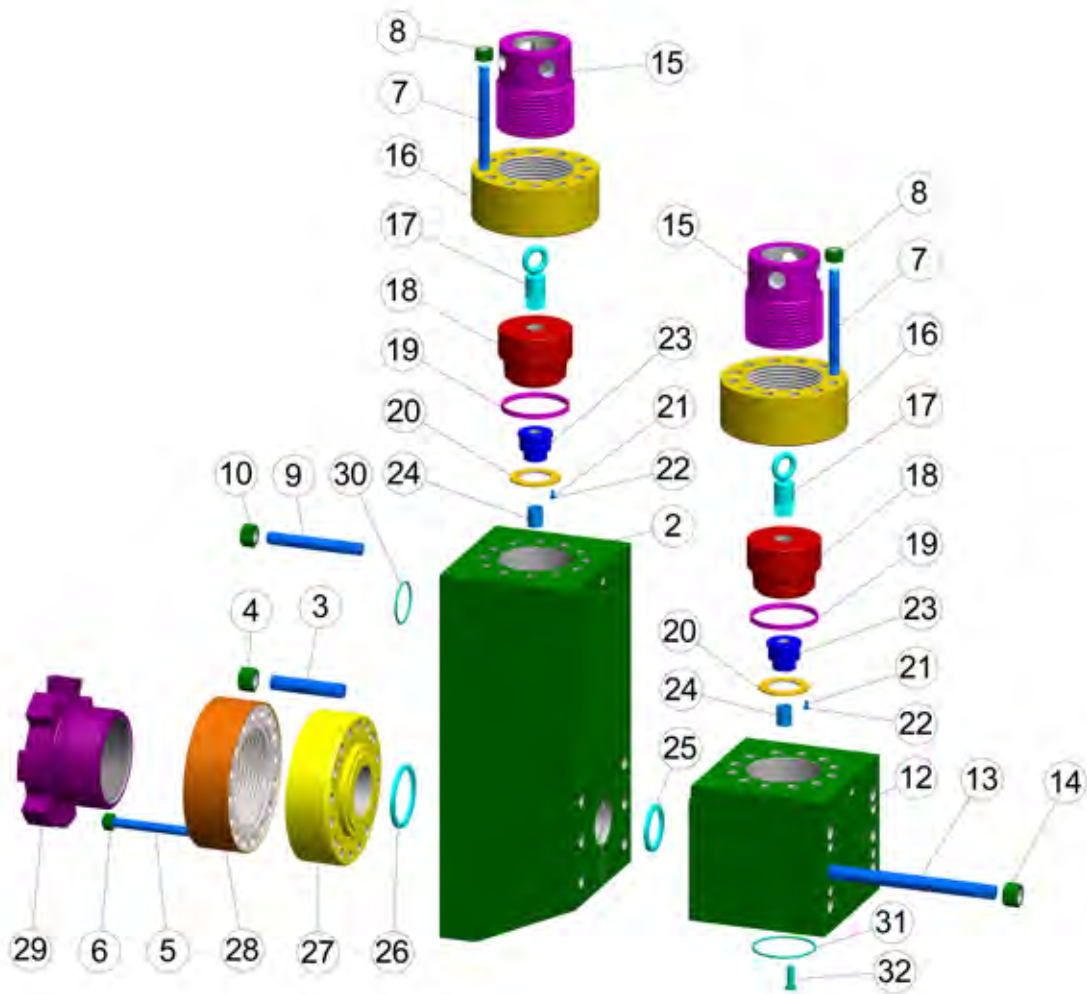
ITEM	PART NUMBER	DESCRIPTION	QTY/PUMP
	TS-6316-0452-10	ASSY, COMPLETE FLUID END	3
1	TS-6316-0610-01	MODULE, DISCHARGE STUDED(INCLUDE 2-10)	3
2	TS-6316-0606-00	DISCHARGE MODULE ONLY	3
3	TS-7507-2215-00	STUD, LINER BUSHING	18
4	TS-7601-0630-24	NUT, LINER BUSHING STUD	18
5	TS-7507-2120-00	STUD, THREADED RING	30
6	TS-7601-0630-24	NUT, THREADED RING STUD	30
7	TS-7507-2219-00	STUD, DISCHARGE MODULE TO SUCTION MODULE	18
8	TS-7601-0630-17	NUT, DISCHARGE TO SUCTION MODULE STUD	18
9	TS-7507-2122-00	STUD, DISCHARGE MANIFLOD	12
10	TS-7601-0630-24	NUT, DISCHARGE MANIFLOD STUD	12
11	TS-6316-0611-00	MODULE, SUCTION STUDED(INCLUDE 12-14)	3
12	TS-6316-0607-00	SUCTION MODULE ONLY	3
13	TS-7507-2120-00	STUD, THREADED RING	30
14	TS-7601-0630-24	NUT, THREADED RING STUD	30
15	TS-6316-0614-00	THREADED RETAINER	6
16	TS-6316-0615-00	THREADED RING	6
17	TS-7601-0040-11	EYEBOLT, 3/4 × 4.50	6
18	TS-6316-0616-00	VALVE POT COVER	6
19	TS-6323-0093-00	RETAINER, VALVE GUIDE	6
20	TS-7501-0051-00	SCREW, RETAINER (UPPER)	24
21	TS-6316-0585-00	VALVE GUIDE	6
22	TS-6316-0092-00	GASKET, VALVE COVER	6
23	TS-6316-0583-00	BUSHING, VALVE GUIDE	6
24	TS-7601-0820-10	DOWEL PIN	12
25	TS-6316-0565-00	GASKET, MODULE & WEAR PLATE	6
26	TS-6316-0668-00	WEAR PLATE	3
27	TS-6316-0613-00	SPACER FLANGE	3
28	TS-6316-0367-20	LINER LOCK	3
29	TS-7601-0342-29	CAPSCREW, SPACER FLANGE	24
30	TS-7602-1600-25	O-RING, DISCHARGE MANIFOLD	3
31	TS-7602-1600-61	O-RING, SUCTION MANIFOLD	3
32	TS-7601-0333-30	CAPSCREW, SUCTION MANIFOLD	18

TSC does not warrant or represent that any of such information is accurate, or that any products listed are compatible with each other.
Any deviations from the OEM products should be verified as to compatibility.

TSC Manufacturing and Supply LLC, 13788 West Road, Suite 100, Houston, Texas 77041, USA!

FLUID END MODULE & ACCESSORIES

**EMSCO FC-2200
TSC Manufacturing and Supply, LLC.**



TSC Manufacturing and Supply LLC, 13788 West Road, Suite 100, Houston, Texas 77041, USA!

FLUID END MODULE & ACCESSORIES**EMSCO FC-2200**

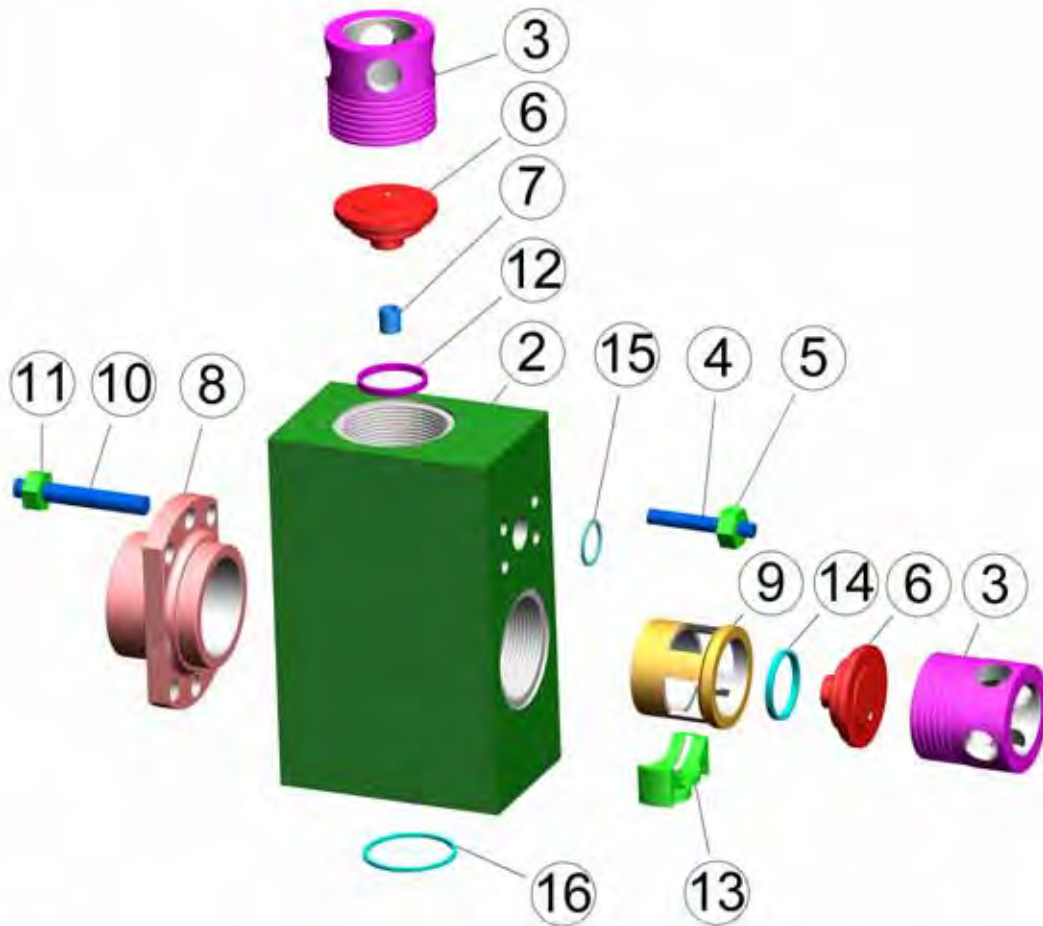
ITEM	PART NUMBER	DESCRIPTION	QTY/PUMP
	TS-6323-0100-20	ASSY, FLUID END COMPLETE (INCLUDES DISCHARGE MANIFOLD)	3
1	TS-6323-0108-00	STUDED FLUID END DISCHARGE (INCLUDES ITEM 2-10)	3
2	TS-6323-0081-00	DISCHARGE MODULE ONLY	3
3	TS-2200-S02	STUD, POWER FRAME	24
4	TS-7601-0630-06	NUT, POWER FRAME STUD	24
5	TS-2200-S05	STUD, LINER THREADED RING	48
6	TS-7601-0630-26	NUT, LINER THREADED RING STUD	48
7	TS-2200-S04	STUD, THREADED RING	72
8	TS-7601-0630-24	NUT, THREADED RING STUD	72
9	TS-2200-S03	STUD, DISCHARGE MANIFOLD	12
10	TS-7601-0630-17	NUT, DISCHARGE MANIFOLD STUD	12
11	TS-6323-0109-00	STUDED FLUID END SUCTION (INCLUDES ITEM 12-14)	3
12	TS-6323-0082-00	SUCTION MODULE ONLY	3
13	TS-2200-S01	STUD, SUCTION MODULE CONNECTION	24
14	TS-7601-0630-06	NUT, SUCTION MODULE CONNECTION STUD	24
15	TS-6323-9087-90	RETAINER, THREADED	6
16	TS-6323-9086-90	RING, THREADED	6
17	TS-6323-0126-00	HANDLER, VALVE POT	6
18	TS-6323-0083-00	COVER, VALVE POT	6
19	TS-6323-0125-00	SEAL, VALVE POT COVER	6
20	TS-6323-0093-00	RETAINER, VALVE GUIDE	3
21	TS-7501-0051-00	SCREW, RETAINER	24
22	TS-7602-5280-72	WIRE, STAINLESS STEEL	1
23	TS-6323-0103-00	GUIDE WITH BUSHING, VALVE	6
24	TS-6323-0102-00	BUSHING, GUIDE	6
25	TS-6323-0128-00	SEAL, SUCTION TO DISCHARGE MODULE	3
26	TS-6323-0127-00	SEAL, WEAR PLATE & LINER	3
27	TS-6323-9097-90	PLATE, WEAR	3
28	TS-6323-0096-00	RING, LINER THREAD	3
29	TS-6323-0099-00	LINER LOCK	3
30	TS-7602-1600-30	O-RING, DISCHARGE MANIFOLD TO FLUID END	3
31	TS-7602-1600-61	O-RING, SUCTION MANIFOLD TO FLUID END	3
32	TS-7601-0333-30	SCREW, SUCTION MANIFOLD TO FLUID END	18

TSC does not warrant or represent that any of such information is accurate, or that any products listed are compatible with each other.
Any deviations from the OEM products should be verified as to compatibility.

TSC Manufacturing and Supply LLC, 13788 West Road, Suite 100, Houston, Texas 77041, USA!

FLUID END MODULE & ACCESSORIES

GARDNER DENVER PAH TSC Manufacturing and Supply, LLC.



TSC Manufacturing and Supply LLC, 13788 West Road, Suite 100, Houston, Texas 77041, USA!

FLUID END MODULE & ACCESSORIES**GARDNER DENVER PAH**

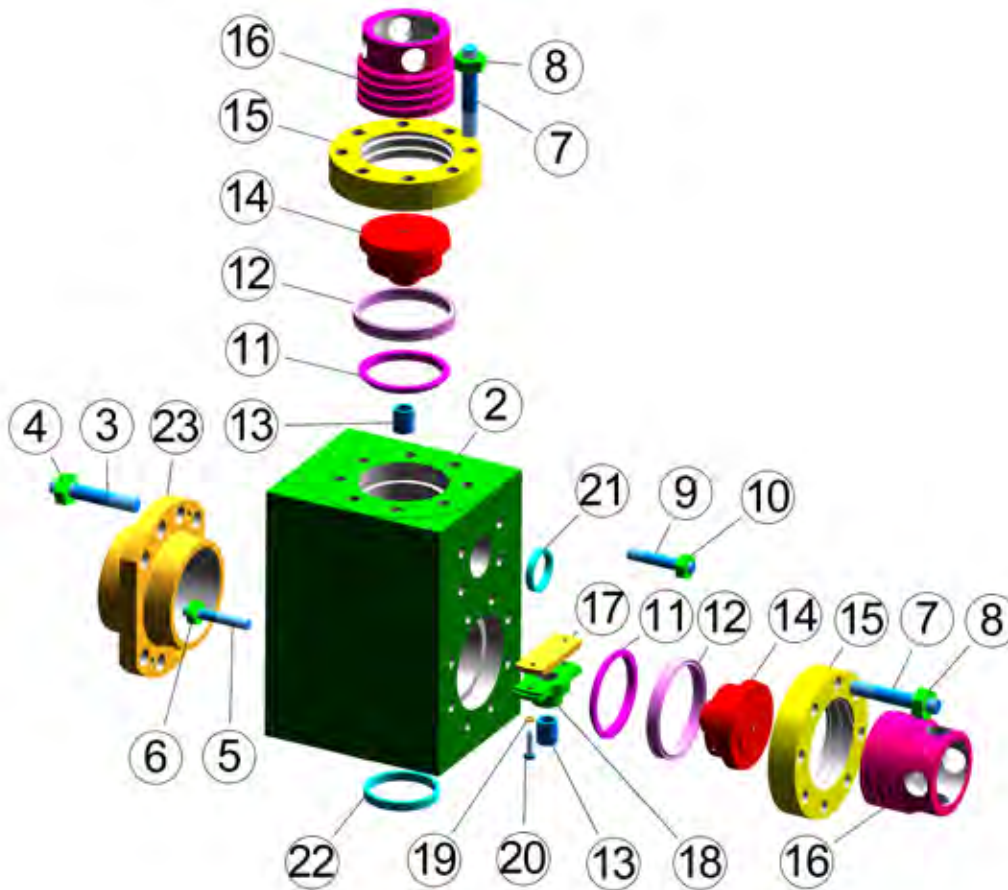
ITEM	PART NUMBER	DESCRIPTION	QTY/PUMP
	TS-FEMGDPAHCA	FLUID END MODULE COMPLETE ASSEMBLY (INCLUDES ITEM 2-16)	3
1	TS-200PJH029B	FLUID END MODULE STUDDED (INCLUDES ITEM 2,4,5,10,11)	3
2	TS-200PJH029U	FLUID END MODULE ONLY	3
3	TS-3PA587	THREADED CAP (COVER LOCK)	6
4	TS-79L142	DISCHARGE MANIFOLD STUD	12
5	TS-50B9	NUT, DISCHARGE MANIFOLD STUD	12
6	TS-200PJH147	VALVE COVER	6
7	TS-2013547	DISCHARGE VALVE GUIDE BUSHING	3
8	TS-1PA217	LINER CLAMP	3
9	TS-200PJH205	SUCTION VALVE GUIDE RETAINER	3
10	TS-79AJ2	LINER CLAMP STUD	18
11	TS-50B35	LINER CLAMP STUD NUT	36
12	TS-200PJH715	VALVE COVER GASKET (G-799)	3
13	TS-200PJH483	VALVE GUIDE, SUCTION	3
14	TS-200PJH715	GASKET, CYLINDER HEAD (G-799)	3
15	TS-25AL54	GASKET, DISCHARGE MANIFOLD	3
16	TS-25G18	GASKET, SUCTION MANIFOLD	3
17	TMPAH-STUDSET	PAH STUDS AND NUTS SET (INCLUDES 4 PCS TS-79L142, 4 PCS TS-50B9, 6 PCS TS-79AJ2, 12 PCS TS-50B35)	3
18	TMPAH-SEALKIT	PAH MODULE SEAL KIT (INCLUDES TWO G-799, ONE TS-25AL54, ONE TS-25G18)	3

TSC does not warrant or represent that any of such information is accurate, or that any products listed are compatible with each other.
Any deviations from the OEM products should be verified as to compatibility.

TSC Manufacturing and Supply LLC, 13788 West Road, Suite 100, Houston, Texas 77041, USA!

FLUID END MODULE & ACCESSORIES

GARDNER DENVER PZ-7, PZ-8, PZ-9
TSC Manufacturing and Supply, LLC.



TSC Manufacturing and Supply LLC, 13788 West Road, Suite 100, Houston, Texas 77041, USA!

FLUID END MODULE & ACCESSORIES**GARDNER DENVER PZ-7, PZ-8, PZ-9**

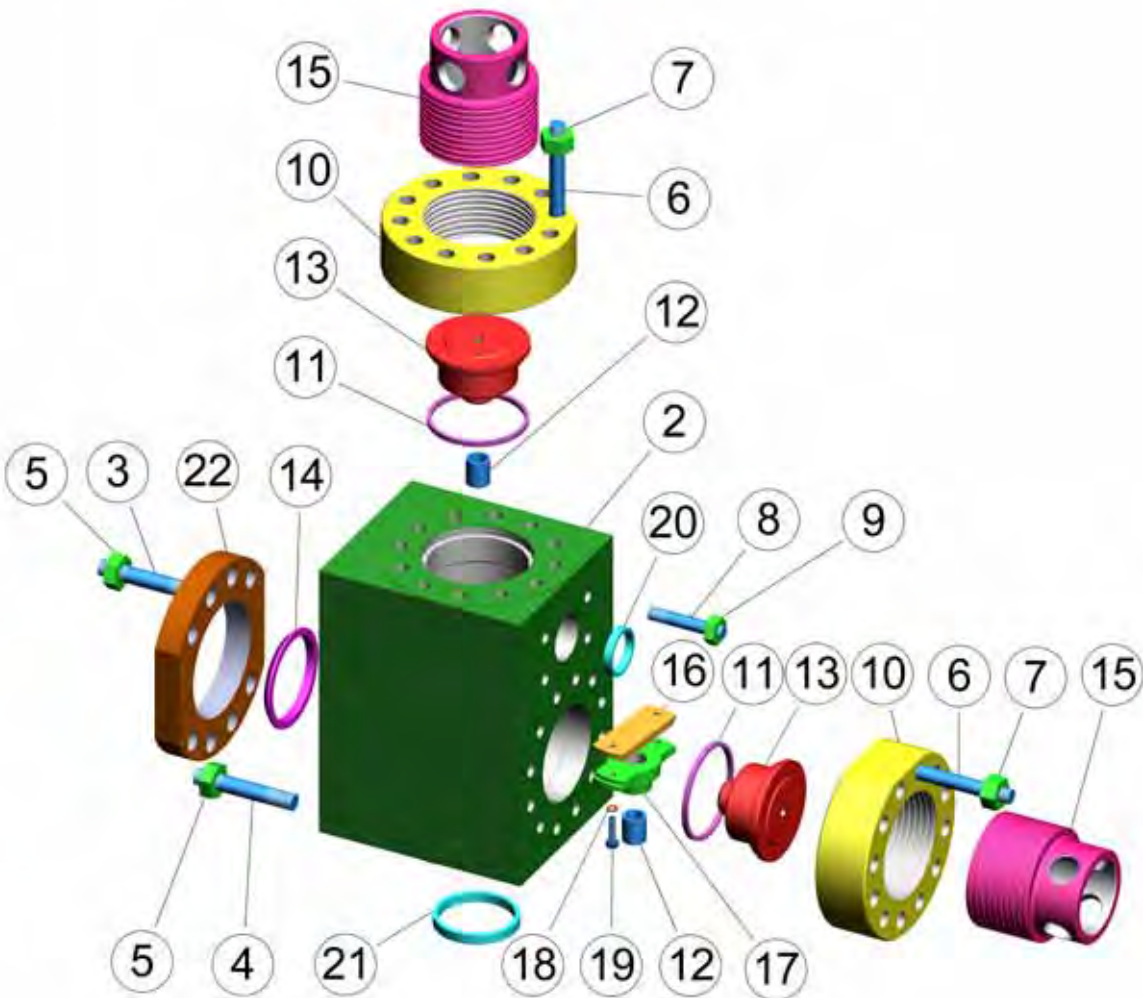
ITEM	PART NUMBER	DESCRIPTION	QTY/PUMP
	TS-FEMPZ789CA	FLUID END MODULE COMPLETE ASSEMBLY (INCLUDES ITEM 2-23)	
1	TS-205PZL029D	FLUID END MODULE STUDDED (INCLUDES ITEM 2-10)	3
2	TS-205-6651-18	FLUID END MODULE ONLY	3
3	TS-79L188	STUD, FRAME & LINER CLAMP	24
4	TS-50B36	NUT (FOR ABOVE)	48
5	TS-79L73	STUD, FRAME	12
6	TS-50AQ30	NUT (FOR ABOVE)	12
7	TS-79AL6	STUD, VALVE COVER	48
8	TS-50B34	NUT (FOR ABOVE)	48
9	TS-202PZL110	STUD, DISCHARGE MANIFOLD	12
10	TS-50B34	NUT (FOR ABOVE)	12
11	TS-2011861	RING, VALVE COVER GASKET EXPANDER	6
12	TS-2011862	GASKET, VALVE COVER (G-749)	6
13	TS-2007674	BUSHING, VALVE GUIDE	6
14	TS-2011860	COVER, VALVE	6
15	TS-2011699	RING, VALVE COVER THREADED	6
16	TS-2011857	CAP, VALVE COVER LOCK	6
17	TS-2011701	PLATE, RETAINER	3
18	TS-2011700	GUIDE, VALVE SUCTION	3
19	TS-95W2	WASHER, LOCK 1/2" 316SS	6
20	TS-655EE06S	SCREW 1/2" x 1-3/4" 316SS HX HD C/S	6
21	TS-25AL35	GASKET, DISCHARGE MANIFOLD	3
22	TS-25G41	GASKET, SUCTION MANIFOLD	3
23	TS-1PV14	CLAMP, LINER	3
24	TS-2011706	ASSEMBLY, LOWER VALVE GUIDE (INCLUDES ITEM 13, 17-20)	3
25	TMPZ9-STUDSET	PZ-7/8/9 STUDS AND NUTS SET (INCLUDES 8 PCS TS-79L188, 16 PCS TS-50B36, 4 PCS TS-79L73, 4 PCS TS-50AQ30, 16 PCS TS-79AL6, 4 PCS TS-202PZL110, 20 PCS TS-50B34)	3
26	TMPZ9-SEALKIT	PAH MODULE SEAL KIT (INCLUDES TWO G-749, ONE TS-25AL35, ONE TS-25G41)	3

TSC does not warrant or represent that any of such information is accurate, or that any products listed are compatible with each other.
Any deviations from the OEM products should be verified as to compatibility.

TSC Manufacturing and Supply LLC, 13788 West Road, Suite 100, Houston, Texas 77041, USA!

FLUID END MODULE & ACCESSORIES

GARDNER DENVER PZ-10, PZ-11 TSC Manufacturing and Supply, LLC.



TSC Manufacturing and Supply LLC, 13788 West Road, Suite 100, Houston, Texas 77041, USA!

FLUID END MODULE & ACCESSORIES**GARDNER DENVER PZ-10, PZ-11**

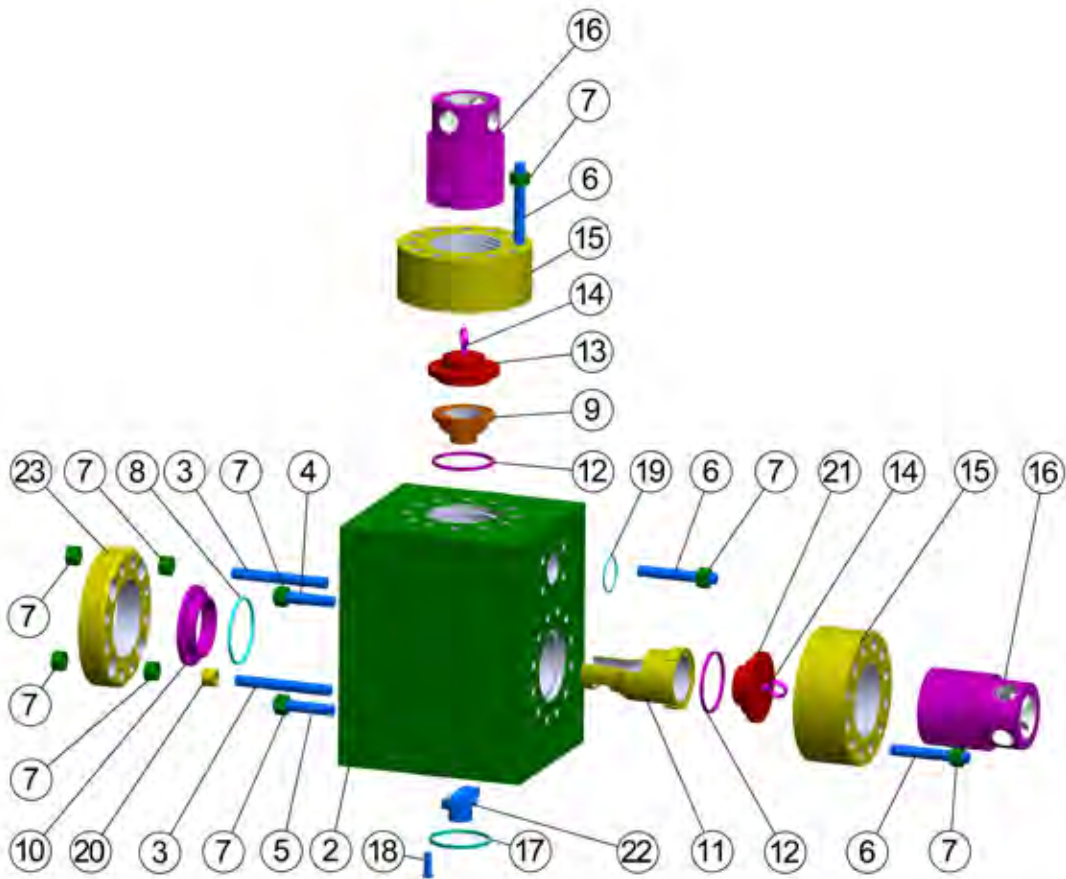
ITEM	PART NUMBER	DESCRIPTION	QTY/PUMP
	TS-FEMPZ1011WPCA	FLUID END MODULE COMPLETE ASSEMBLY (INCLUDES ITEM 2-13, 15-22)	3
1	TS-202PZL029B	FLUID END MODULE STUDDED (INCLUDES ITEM 2-9)	3
2	TS-202-6651-20	FLUID END MODULE ONLY	3
3	TS-201PZL110	STUD, FRAME & LINER CLAMP LONG	24
4	TS-205PZL110	STUD, SHORT	24
5	TS-50B36	NUT, FRAME & LINER CLAMP STUD	72
6	TS-204PZL110	STUD, VALVE COVER	72
7	TS-50B34	NUT (FOR ABOVE)	72
8	TS-202PZL110	STUD, DISCHARGE MANIFOLD	12
9	TS-50B34	NUT (FOR ABOVE STUD) (SAME AS ITEM 7)	12
10	TS-200PZL387	RING, VALVE COVER THREADED	6
11	TS-204PZL715	GASKET, VALVE COVER (G-798Z)	6
12	TS-2007674	BUSHING, VALVE GUIDE	6
13	TS-200PZL147	COVER, VALVE	6
14	TS-25AL37	LINER GASKET (G-692)	3
15	TS-200PZL587	CAP, VALVE COVER LOCK	6
16	TS-2011701	PLATE, RETAINER	3
17	TS-200PZL483	GUIDE, VALVE SUCTION	3
18	TS-95W2	WASHER, LOCK 1/2" 316SS	6
19	TS-655EE065	SCREW 1/2" x 1-3/4" 316SS HX HD C/S	6
20	TS-25AL35	GASKET, DISCHARGE MANIFOLD	3
21	TS-25G41	GASKET, SUCTION MANIFOLD	3
22	TS-200PZL455	CLAMP, LINER	3
23	TS-200PZL483A	ASSEMBLY, LOWER VALVE GUIDE(INCLUDES ITEM 12,16,17,18,19)	3
24	TMPZ11-STUDSET	PZ-10/11 STUDS AND NUTS SET (INCLUDES 8 PCS TS-201PZL110, 8 PCS TS-205PZL110, 24 PCS TS-50B36, 24 PCS TS-204PZL110, 28 PCS TS-50B34, 4 PCS TS-202PZL110)	3
25	TMPZ11-SEALKIT	PZ-10/11 MODULE SEAL KIT (INCLUDES TWO G-798Z, ONE TS-25AL35, ONE TS-25G41)	3

TSC does not warrant or represent that any of such information is accurate, or that any products listed are compatible with each other.
Any deviations from the OEM products should be verified as to compatibility.

TSC Manufacturing and Supply LLC, 13788 West Road, Suite 100, Houston, Texas 77041, USA!

FLUID END MODULE & ACCESSORIES

GARDNER DENVER PZ-11 HP (PZL) (7500PSI) TSC Manufacturing and Supply, LLC.



TSC Manufacturing and Supply LLC, 13788 West Road, Suite 100, Houston, Texas 77041, USA!

FLUID END MODULE & ACCESSORIES

GARDNER DENVER PZ-11 HP (PZL) (7500PSI)

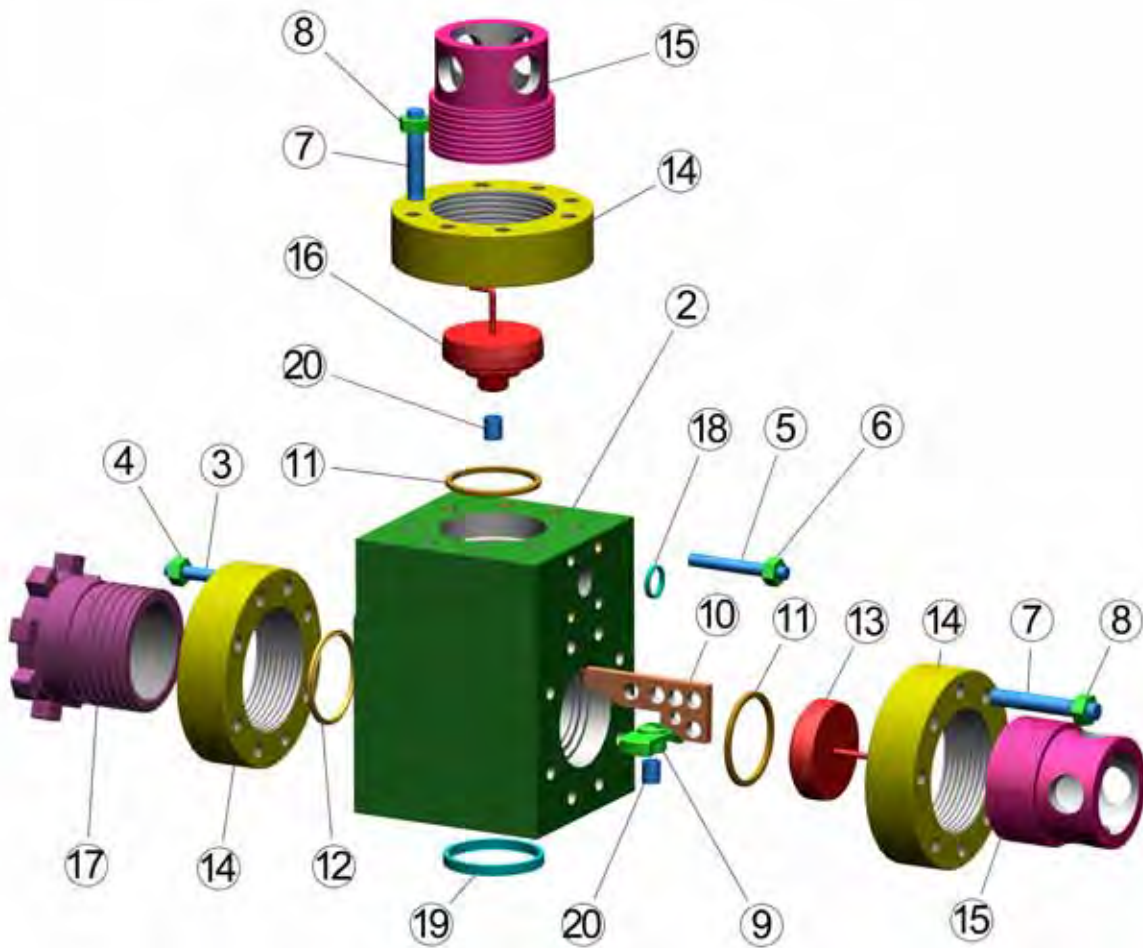
ITEM	PART NUMBER	DESCRIPTION	QTY/PUMP
	TS-FEMPZ101175CA	FLUID END MODULE COMPLETE ASSEMBLY (INCLUDES ITEM 2-23)	3
1	TS-300PZL2039	FLUID END MODULE STUDED (INCLUDES ITEM 2-9)	3
2	TS-300PZL029	FLUID END MODULE ONLY	3
3	TS-302PZL110	STUD, LINER CLAMP	36
4	TS-300PZL110	STUD, FLUID CYLINDER TO FRAME ALIGNMENT(UPPER)	6
5	TS-303PZL110	STUD, FLUID CYLINDER TO FRAME (LOWER)	6
6	TS-301PZL110	STUD,THREADED RING & DISCHARGE MANIFOLD	84
7	TS-50B36	NUT (FOR ABOVE)	168
8	TS-303PZL316	SEAL, WEAR PLATE	3
9	TS-302PZL483	GUIDE, VALVE (UPPER)	3
10	TS-301PZL234	WEAR PLATE	3
11	TS-301PZL205	RETAINER, VALVE GUIDE	3
12	TS-309PZL316	SEAL, CYLINDER HEAD & VALVE COVER	6
13	TS-302PZL147	COVER, VALVE(UPPER)	3
14	TS-15P27	EYE BOLT	6
15	TS-300PZL387	RING, THREADED	6
16	TS-300PZL587	COVER LOCK	6
17	TS-25BE41	GASKET, SUCTION MANIFOLD	3
18	TS-655EG10N	SCREW, SUCTION MANIFOLD	24
19	TS-302PZL316	GASKET, DISCHARGE MANIFOLD	3
20	TS-300PZL229	BUSHING	12
21	TS-303PZL147	COVER, VALVE(LOWER)	3
22	TS-303PZL483	GUIDE, VALVE (LOWER)	3
23	TS-300PZL455	LINER CLAMP	3
24	TMPZ11HP-STUDSET	PZ-11 HP STUDS AND NUTS SET (INCLUDES 12 PCS TS-302PZL110, 2 PCS TS-300PZL110, 2 PCS TS-303PZL110, 56 PCS TS-50B36, 28 PCS TS-302PZL110)	3
25	TMPZ11HP-SEALKIT	PZ-11 HP MODULE SEAL KIT (INCLUDES TWO TS-309PZL316, ONE TS-303PZL316, ONE TS-25BE41, ONE TS-302PZL316)	3

TSC does not warrant or represent that any of such information is accurate, or that any products listed are compatible with each other.
Any deviations from the OEM products should be verified as to compatibility.

TSC Manufacturing and Supply LLC, 13788 West Road, Suite 100, Houston, Texas 77041, USA!

FLUID END MODULE & ACCESSORIES

IDECO T-500, T-800, T-1000
TSC Manufacturing and Supply, LLC.



TSC Manufacturing and Supply LLC, 13788 West Road, Suite 100, Houston, Texas 77041, USA!

FLUID END MODULE & ACCESSORIES**IDECO T-500, T-800, T-1000**

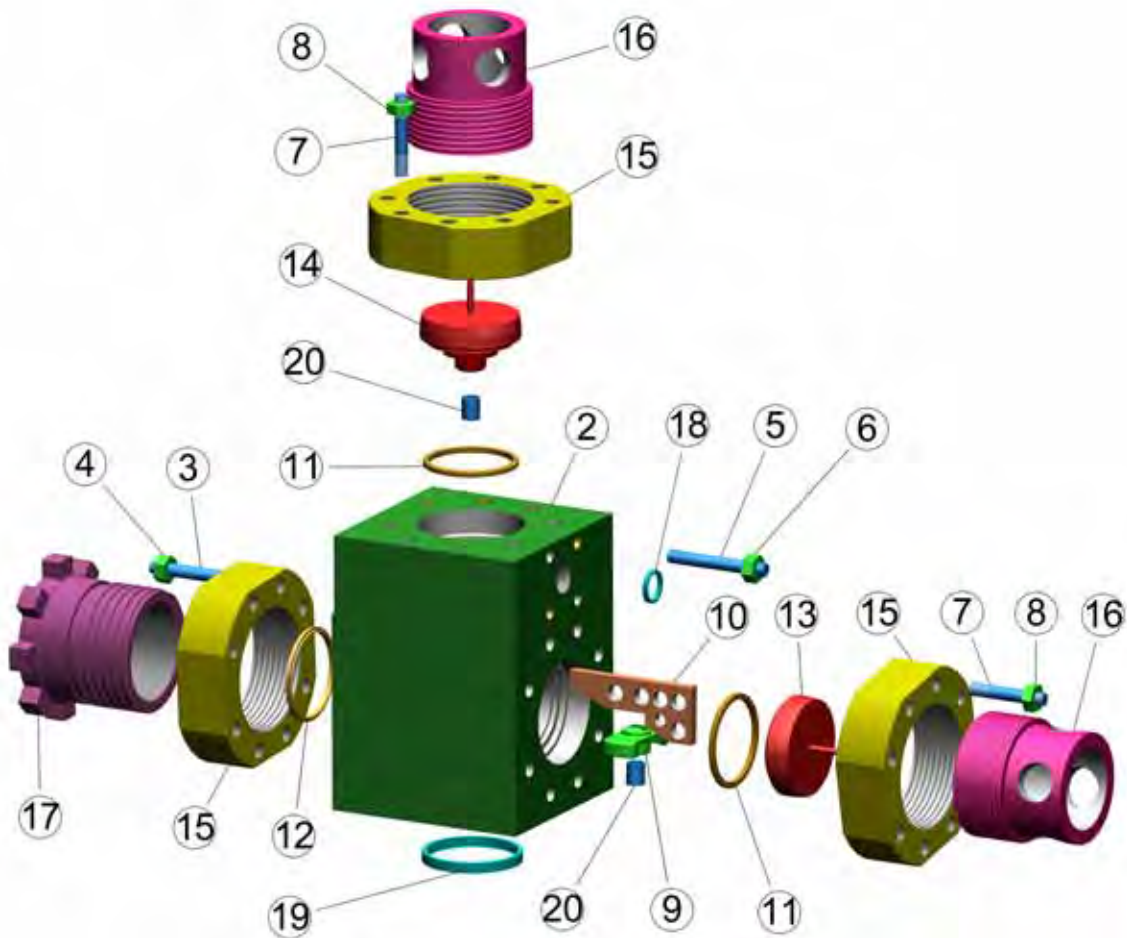
ITEM	PART NUMBER	DESCRIPTION	QTY/PUMP
	TS-FEMIDT1000CA	FLUID END MODULE COMPLETE ASSEMBLY (INCLUDES ITEM 2-11, 13-20)	3
1	TS-551-458	FLUID END MODULE STUDED (INCLUDES ITEM 2-8)	3
2	TS-551-458U	FLUID END MODULE ONLY	3
3	TS-551-410-01	STUD, POWER FRAME	24
4	TS-IN-146	NUT, POWER FRAME STUD	24
5	TS-551-410-02	STUD, DISCHARGE MANIFOLD	12
6	TS-IN-146	NUT, DISCHARGE MANIFOLD STUD	12
7	TS-551-410-03	STUD, THREADED RING	48
8	TS-IN-146	NUT, THREADED RING STUD	48
9	TS-551-405-07	LOWER VALVE GUIDE ASSEMBLY (INCLUDES ITEM 20)	3
10	TS-551-422-04	RETAINER, LOWER VALVE GUIDE	3
11	TS-BTM16696309	GASKET, VALVE COVER, CYLINDER HEAD (G-783 *)	6
12	G-783	LINER GASKET	3
13	TS-551-422-02	PLUG, CYLINDER HEAD	3
14	TS-551-405-03	THREADED RING	9
15	TS-551-405-04	THREADED PLUG RETAINER	6
16	TS-551-422-03	PLUG, CYLINDER HEAD (TOP)	3
17	TS-551-405-05	NUT, LINER RETAINER	3
18	TS-IO-548	GASKET, DISCHARGE MANIFOLD	3
19	TS-IO-507	GASKET, SUCTION MANIFOLD	3
20	TS-551-405-09	BUSHING, VALVE GUIDE	3
21	TMT10-STUDSET	T-500 STUDS AND NUTS SET (INCLUDES 8 PCS TS-551-410-01, 4 PCS TS-551-410-02, 16 PCS TS-551-410-03, 28 PCS TS-IN-146)	3
22	TMT10-SEALKIT	T-500 MODULE SEAL KIT (INCLUDES TWO G-783*, ONE TS-IO-548, ONE TS-IO-521)	3

TSC does not warrant or represent that any of such information is accurate, or that any products listed are compatible with each other.
Any deviations from the OEM products should be verified as to compatibility.

TSC Manufacturing and Supply LLC, 13788 West Road, Suite 100, Houston, Texas 77041, USA!

FLUID END MODULE & ACCESSORIES

IDECO T-1300, T-1600
TSC Manufacturing and Supply, LLC.



TSC Manufacturing and Supply LLC, 13788 West Road, Suite 100, Houston, Texas 77041, USA!

FLUID END MODULE & ACCESSORIES**IDECO T-1300, T-1600**

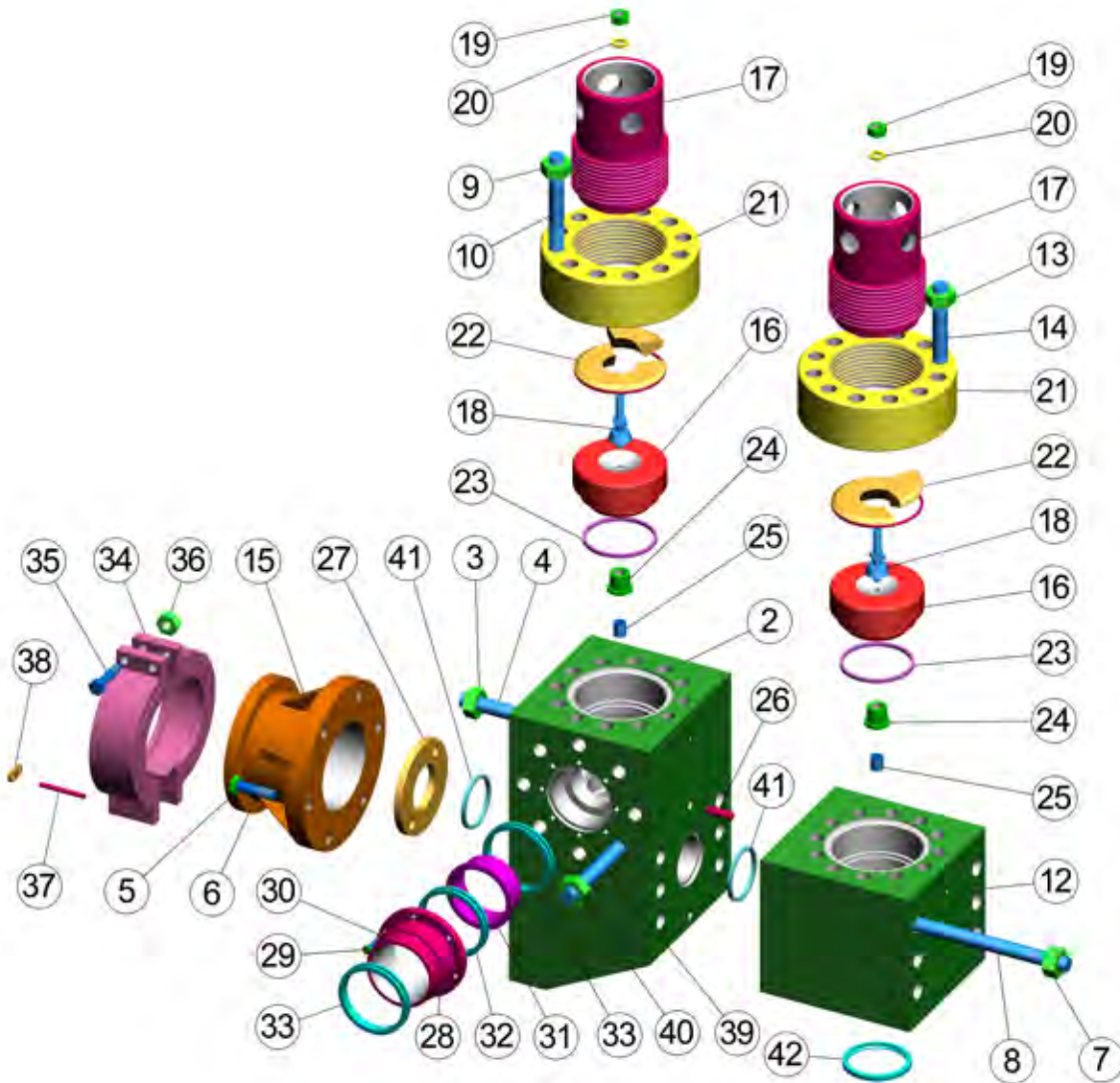
ITEM	PART NUMBER	DESCRIPTION	QTY/PUMP
	TS-FEMIDT1316CA	FLUID END MODULE COMPLETE ASSEMBLY (INCLUDES ITEM 2-11, 13-21)	3
1	TS-551-122-01	MODULE, FLUID END STUDED (INCLUDES ITEM 2-8)	3
2	TS-551-158	MODULE, FLUID END ONLY	3
3	TS-551-110-01	STUD, POWER FRAME	24
4	TS-IN-415	NUT, POWER FRAME STUD	24
5	TS-551-110-02	STUD, DISCHARGE MANIFOLD	12
6	TS-IN-416	NUT, DISCHARGE MANIFOLD STUD	12
7	TS-551-110-03	STUD, THREADED RING	48
8	TS-IN-415	NUT, THREADED RING STUD	48
9	TS-551-105-07	ASSEMBLY, LOWER VALVE GUIDE (INCLUDES ITEM 20)	3
10	TS-551-105-08	RETAINER, LOWER VALVE GUIDE	3
11	TS-BTM16696308	GASKET, VALVE COVER, CYLINDER HEAD (G-782 *)	6
12	G-782	LINER GASKET	3
13	TS-551-122-02	PLUG, CYLINDER HEAD	3
14	TS-551-122-02T	PLUG, CYLINDER HEAD (TOP)	3
15	TS-551-105-03	RING, THREADED	9
16	TS-551-105-04	CAP, THREADED	6
17	TS-551-105-05	NUT, LINER RETAINER	3
18	TS-IO-548	GASKET, DISCHARGE MANIFOLD	3
19	TS-IO-507	GASKET, SUCTION MANIFOLD	3
20	TS-551-105-09	BUSHING, VALVE GUIDE	6
21	TMT16-STUDSET	T-1300/1600 STUDS AND NUTS SET (INCLUDES 8 PCS TS-551-110-01, 4 PCS TS-551-110-02, 16 PCS TS-551-110-03, 24 PCS TS-IN415, 4 PCS TS- IN416)	3
22	TMT16-SEALKIT	T-1300/1600 MODULE SEAL KIT (INCLUDES TWO G-782*, ONE TS-IO-548, ONE TS-IO-507)	3

TSC does not warrant or represent that any of such information is accurate, or that any products listed are compatible with each other.
Any deviations from the OEM products should be verified as to compatibility.

TSC Manufacturing and Supply LLC, 13788 West Road, Suite 100, Houston, Texas 77041, USA!

FLUID END MODULE & ACCESSORIES

**NATIONAL 8-P-80
TSC Manufacturing and Supply, LLC.**



TSC Manufacturing and Supply LLC, 13788 West Road, Suite 100, Houston, Texas 77041, USA!

FLUID END MODULE & ACCESSORIES**NATIONAL 8-P-80**

ITEM	PART NUMBER	DESCRIPTION	QTY/PUMP
	TS-FEMNAT8PCA	FLUID END MODULE COMPLETE ASSEMBLY	3
1	TS-1291280	MODULE, STUDED FLUID END DISCHARGE(INCLUDES ITEM 2-10)	3
2	TS-1291281	DISCHARGE MODULE ONLY	3
3	TS-6300180	NUT, POWER FRAME STUD	24
4	TS-2408026	STUD, POWER FRAME	24
5	TS-6300120	NUT, LINER BUSHING STUD	18
6	TS-2408025	STUD, LINER BUSHING	18
7	TS-6300241	NUT, DISCHARGE TO SUCTION MODULE STUD	18
8	TS-2408034	STUD, DISCHARGE MODULE TO SUCTION MODULE	18
9	TS-6300220	NUT, THREADED RING STUD	36
10	TS-2408019	STUD, THREADED RING	36
11	TS-1290338	MODULE, STUDED FLUID END SUCTION(INCLUDES ITEM 12-14)	3
12	TS-1290339	SUCTION MODULE ONLY	3
13	TS-6300220	NUT, THREADED RING STUD	36
14	TS-2408019	STUD, THREADED RING	36
15	TS-1291165	BUSHING, LINER	3
16	TS-1290174	RETAINER, SEAL	6
17	TS-1290307	CAP, VALVE COVER (THREADED)	6
18	TS-1290178	SCREW, ADJUSTING WEDGE	6
19	TS-6300160	NUT, WEDGE ADJUSTING SCREW	6
20	TS-1290315	WASHER, WEDGE ADJUSTING SCREW	6
21	TS-1290308	RING, THREADED	6
22	TS-G-1290376	LOCKING WEDGE ASSEMBLY	6
23	TS-1540126	GASKET, VALVE COVER (G-768Z)	6
24	TS-1292140	RETAINER, VALVE GUIDE BUSHING	6
25	TS-1292141	BUSHING, VALVE GUIDE	6
26	TS-6511416	PIN, DOWELL	6
27	TS-1290357	PLATE, WEAR	3
28	TS-1290342	CONNECTOR, DISCHARGE	2
29	TS-700030511	CAPSCREW, DISCHARGE CONNECTOR	16
30	TS-7619050	WASHER, LOCK 1/2"	16
31	TS-1290343	ADAPTER, DISCHARGE CONNECTOR	2
32	TS-2410031348	SEAL, DISCHARGE CONNECTOR TO DISCHARGE ADAPTER	2
33	TS-2410031427	SEAL, DISCHARGE CONNECTOR & DISCHARGE ADAPTER	4
34	TS-1291166	ASSEMBLY, LINER CLAMP	3
35	TS-700040311	CAPSCREW, LINER CLAMP	6
36	TS-6309100	NUT, LINER CAPSCREW	6
37	TS-1291169	PIN, CONNECTOR	6
38	TS-1291168	CONNECTOR, LINER CLAMP	6
39	TS-2402560	STUD, TOP TAPER LOCK	16
40	TS-6300200	NUT, STUD	16
41	TS-1290344	SEAL, MODULE & WEAR PLATE	6
42	TS-1590051	SEAL, SUCTION MANIFOLD	3

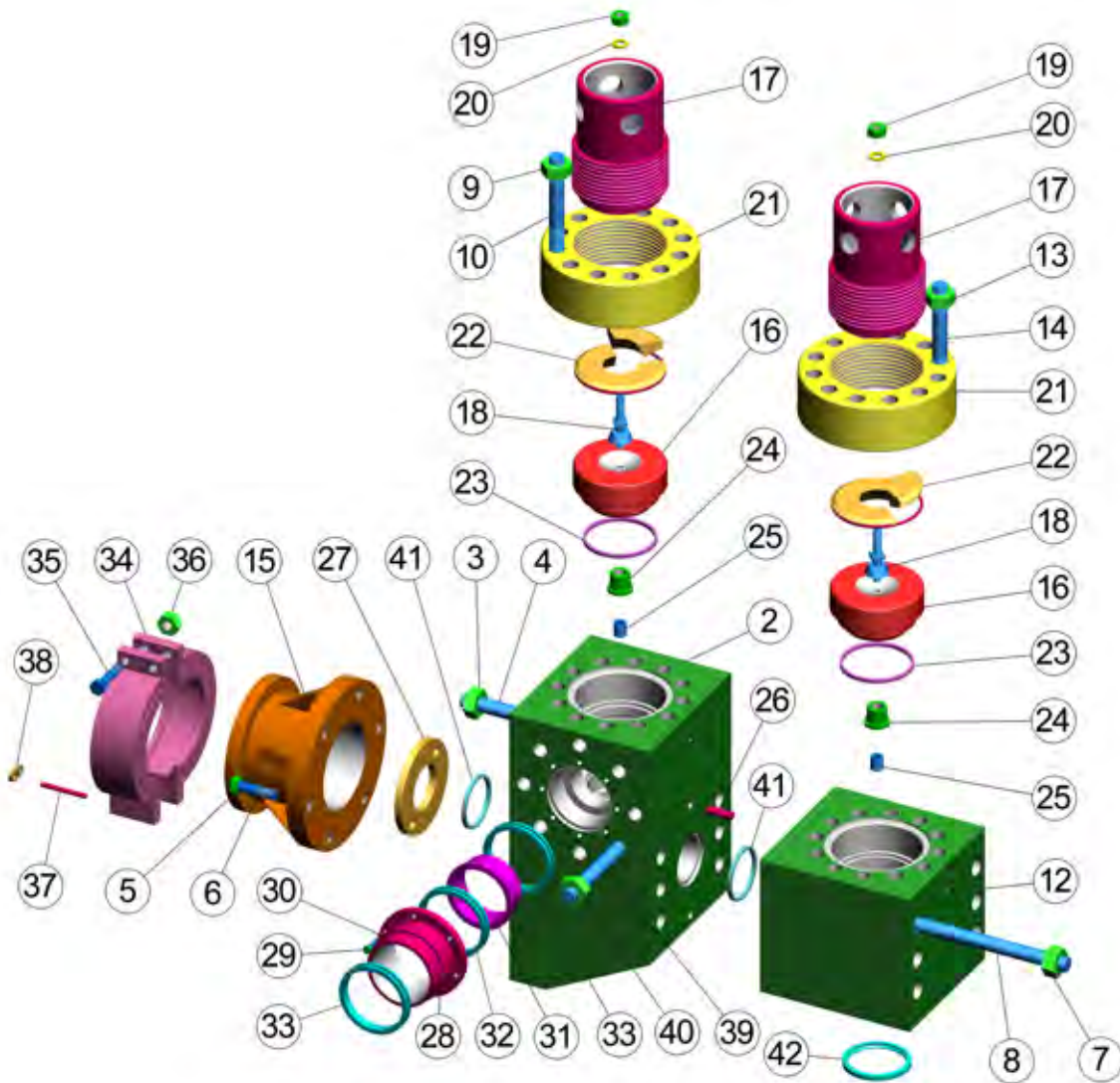
TSC does not warrant or represent that any of such information is accurate, or that any products listed are compatible with each other.
Any deviations from the OEM products should be verified as to compatibility.

TSC Manufacturing and Supply LLC, 13788 West Road, Suite 100, Houston, Texas 77041, USA!



FLUID END MODULE & ACCESSORIES

NATIONAL 9-P-100 TSC Manufacturing and Supply, LLC.



TSC Manufacturing and Supply LLC, 13788 West Road, Suite 100, Houston, Texas 77041, USA!

FLUID END MODULE & ACCESSORIES**NATIONAL 9-P-100**

ITEM	PART NUMBER	DESCRIPTION	QTY/PUMP
	TS-FEMNAT9PCA	FLUID END MODULE COMPLETE ASSEMBLY	3
1	TS-1293240	MODULE, STUDED FLUID END DISCHARGE(INCLUDES ITEM 2-10)	3
2	TS-1293241	DISCHARGE MODULE ONLY	3
3	TS-6300200	NUT, POWER FRAME STUD	24
4	TS-2408030	STUD, POWER FRAME	24
5	TS-6300160	NUT, LINER BUSHING STUD	18
6	TS-2408018	STUD, LINER BUSHING	18
7	TS-6300241	NUT, DISCHARGE TO SUCTION MODULE STUD	18
8	TS-2408034	STUD, DISCHARGE MODULE TO SUCTION MODULE	18
9	TS-6300220	NUT, THREADED RING STUD	36
10	TS-2408019	STUD, THREADED RING	36
11	TS-1290338	MODULE, STUDED FLUID END SUCTION(INCLUDES ITEM 12-14)	3
12	TS-1290339	SUCTION MODULE ONLY	3
13	TS-6300220	NUT, THREADED RING STUD	36
14	TS-2408019	STUD, THREADED RING	36
15	TS-1293165	BUSHING, LINER	3
16	TS-1290174	RETAINER, SEAL	6
17	TS-1290307	CAP, VALVE COVER (THREADED)	6
18	TS-1290178	SCREW, ADJUSTING WEDGE	6
19	TS-6300160	NUT, WEDGE ADJUSTING SCREW	6
20	TS-1290315	WASHER, WEDGE ADJUSTING SCREW	6
21	TS-1290308	RING, THREADED	6
22	TS-G-1290376	LOCKING WEDGE ASSEMBLY	6
23	TS-1540126	GASKET, VALVE COVER (G-768)	6
24	TS-1292140	RETAINER, VALVE GUIDE BUSHING	6
25	TS-1292141	BUSHING, VALVE GUIDE	6
26	TS-6511416	PIN, DOWELL	6
27	TS-1290357	PLATE, WEAR	3
28	TS-1290342	CONNECTOR, DISCHARGE	2
29	TS-700030511	CAPSCREW, DISCHARGE CONNECTOR	16
30	TS-7619050	WASHER, LOCK 1/2"	16
31	TS-1290343	ADAPTER, DISCHARGE CONNECTOR	2
32	TS-2410031348	SEAL, DISCHARGE CONNECTOR TO DISCHARGE ADAPTER	2
33	TS-2410031427	SEAL, DISCHARGE CONNECTOR & DISCHARGE ADAPTER	4
34	TS-1293166	ASSEMBLY, LINER CLAMP (INCLUDES ITEM 32,33,34,35,36,37)	3
35	TS-700044811	CAPSCREW, LINER CLAMP	6
36	TS-6309120	NUT, 3/4" LOCK TYPE	6
37	TS-1290169	PIN, CONNECTOR	6
38	TS-1290168	CONNECTOR, LINER CLAMP	6
39	TS-2402560	STUD, TOP TAPER LOCK	16
40	TS-6300200	NUT, STUD (BLIND RING AND WELD NECK FLANGES)	16
41	TS-1290344	SEAL, MODULE & WEAR PLATE	6
42	TS-1590051	SEAL, SUCTION MANIFOLD	3

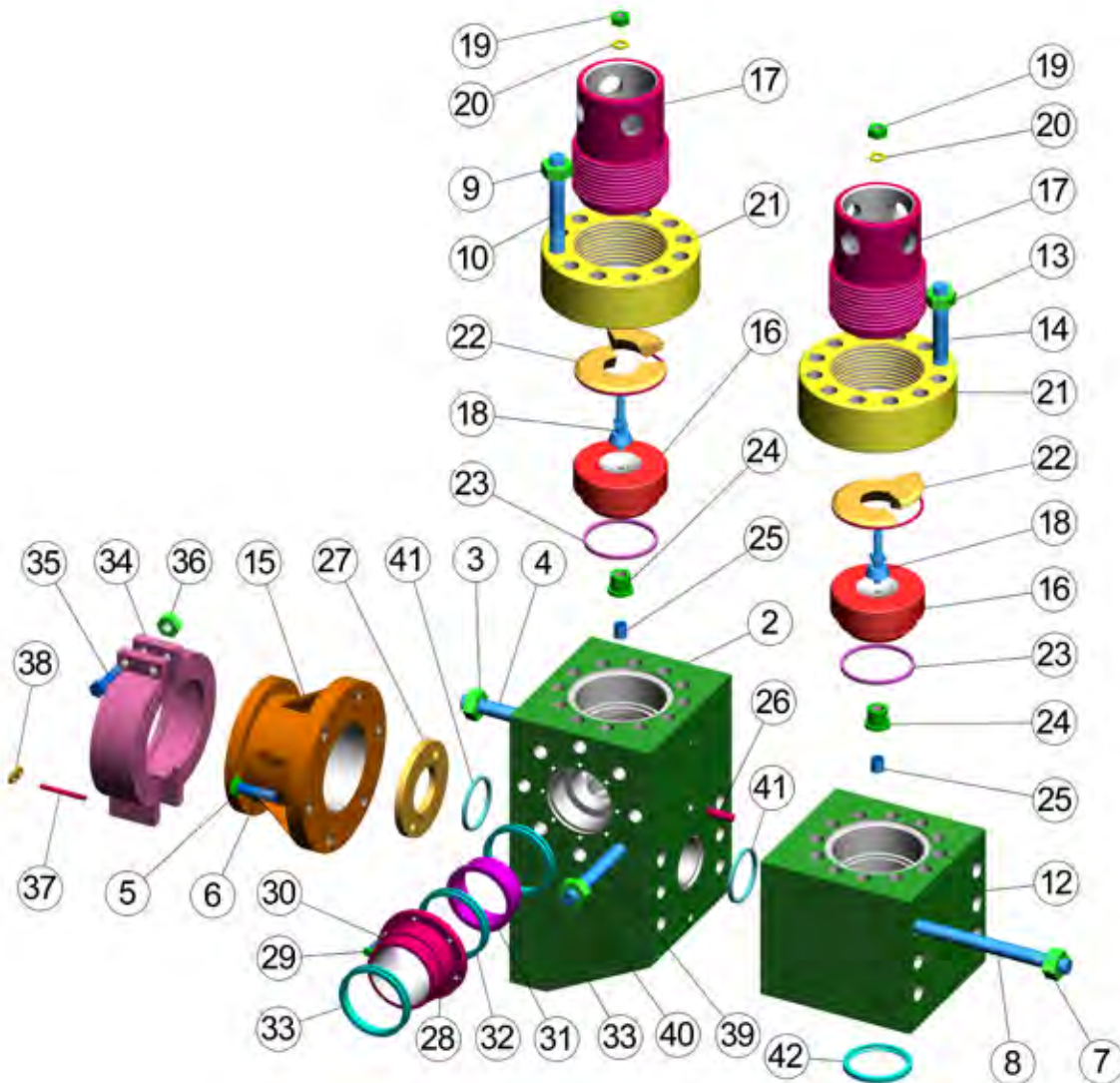
TSC does not warrant or represent that any of such information is accurate, or that any products listed are compatible with each other.
Any deviations from the OEM products should be verified as to compatibility.

TSC Manufacturing and Supply LLC, 13788 West Road, Suite 100, Houston, Texas 77041, USA!



FLUID END MODULE & ACCESSORIES

NATIONAL 10-P-130 TSC Manufacturing and Supply, LLC.



TSC Manufacturing and Supply LLC, 13788 West Road, Suite 100, Houston, Texas 77041, USA!

FLUID END MODULE & ACCESSORIES**NATIONAL 10-P-130**

ITEM	PART NUMBER	DESCRIPTION	QTY/PUMP
	TS-FEMNAT10PCA	FLUID END MODULE COMPLETE ASSEMBLY	3
1	TS-1290335	MODULE, STUDED FLUID END DISCHARGE(INCLUDES ITEM 2-10)	3
2	TS-1290336	DISCHARGE MODULE ONLY	3
3	TS-6300240	NUT, POWER FRAME STUD	24
4	TS-2408020	STUD, POWER FRAME	24
5	TS-6300160	NUT, LINER BUSHING STUD	18
6	TS-2408018	STUDS, 1" x 5-7/8" DISCHARGE TO LINER BUSHING	18
7	TS-6300241	NUT, DISCHARGE TO SUCTION MODULE STUD	18
8	TS-2408034	STUD, DISCHARGE MODULE TO SUCTION MODULE	18
9	TS-6300220	NUT, THREADED RING STUD	36
10	TS-2408019	STUD, THREADED RING	36
11	TS-1290338	MODULE, STUDED FLUID END SUCTION(INCLUDES ITEM 12-14)	3
12	TS-1290339	SUCTION MODULE ONLY	3
13	TS-6300220	NUT, THREADED RING STUD	36
14	TS-2408019	STUD, THREADED RING	36
15	TS-1290165	BUSHING, LINER	3
16	TS-1290174	RETAINER, SEAL	6
17	TS-1290307	CAP, VALVE COVER (THREADED)	6
18	TS-1290178	SCREW, ADJUSTING WEDGE	6
19	TS-6300160	NUT, WEDGE ADJUSTING SCREW	6
20	TS-1290315	WASHER, WEDGE ADJUSTING SCREW	6
21	TS-1290308	RING, THREADED	6
22	TS-G-1290376	LOCKING WEDGE ASSEMBLY	6
23	TS-1540126	GASKET, VALVE COVER (G-768)	6
24	TS-1292140	RETAINER, VALVE GUIDE BUSHING	6
25	TS-1292141	BUSHING, VALVE GUIDE	6
26	TS-6511416	PIN, DOWELL	6
27	TS-1290357	PLATE, WEAR	3
28	TS-1290342	CONNECTOR, DISCHARGE	2
29	TS-700030511	CAPSCREW, DISCHARGE CONNECTOR	16
30	TS-7619050	WASHER, LOCK 1/2"	16
31	TS-1290343	ADAPTER, DISCHARGE CONNECTOR	2
32	TS-2410031348	SEAL, SUCTION CONNECTOR TO DISCHARGE ADAPTER	2
33	TS-2410031427	SEAL, DISCHARGE CONNECTOR TO DISCHARGE ADAPTER	4
34	TS-1290167	ASSEMBLY, LINER CLAMP	3
35	TS-700044811	CAPSCREW, LINER CLAMP	6
36	TS-6309120	NUT, LINER CAPSCREW	6
37	TS-1290169	PIN, CONNECTOR	6
38	TS-1290168	CONNECTOR, LINER CLAMP	6
39	TS-2402560	STUD, TOP TAPER LOCK	16
40	TS-6300200	NUT, 1-1/4" HVY HEX	16
41	TS-1290344	SEAL, MODULE & WEAR PLATE	6
42	TS-1590051	SEAL, SUCTION MANIFOLD	3

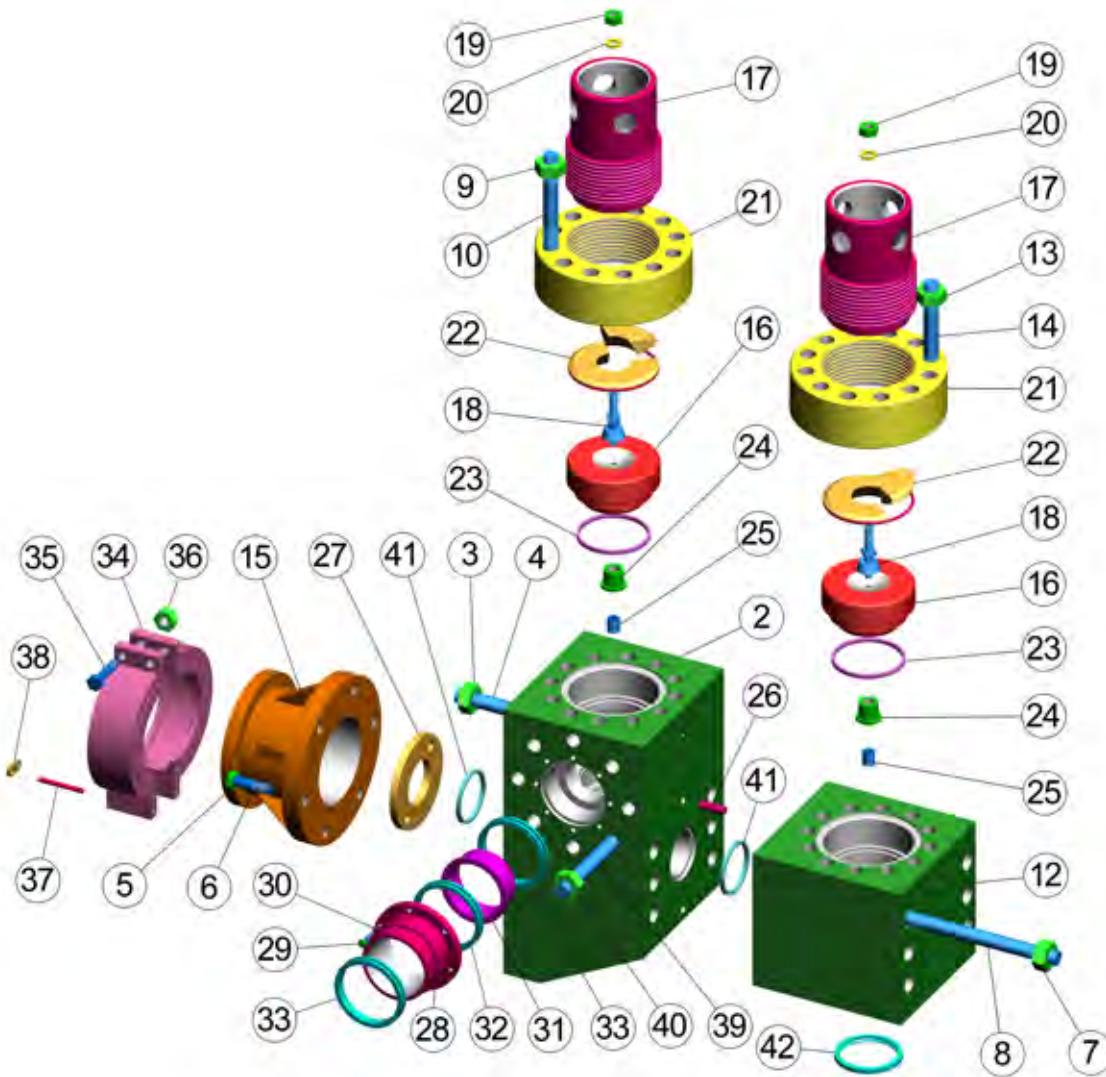
TSC does not warrant or represent that any of such information is accurate, or that any products listed are compatible with each other.
Any deviations from the OEM products should be verified as to compatibility.

TSC Manufacturing and Supply LLC, 13788 West Road, Suite 100, Houston, Texas 77041, USA!



FLUID END MODULE & ACCESSORIES

**NATIONAL 12-P-160
TSC Manufacturing and Supply, LLC.**



TSC Manufacturing and Supply LLC, 13788 West Road, Suite 100, Houston, Texas 77041, USA!

FLUID END MODULE & ACCESSORIES**NATIONAL 12-P-160**

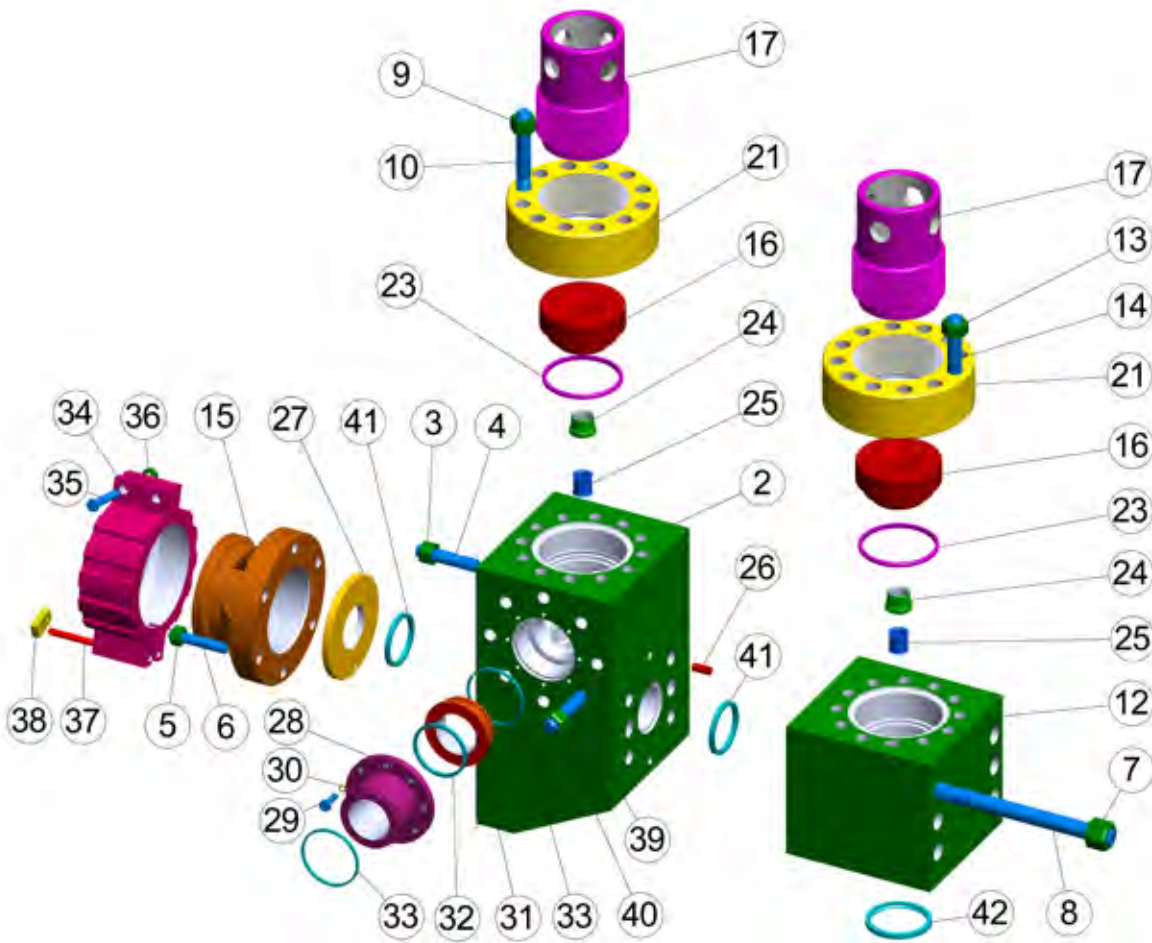
ITEM	PART NUMBER	DESCRIPTION	QTY/PUMP
	TS-FEMNAT12PCA	FLUID END MODULE COMPLETE ASSEMBLY	3
1	TS-1292240	MODULE, STUDED FLUID END DISCHARGE(INCLUDES ITEM 2-10)	3
2	TS-1292241	DISCHARGE MODULE ONLY	3
3	TS-6300220	NUT, POWER FRAME STUD	30
4	TS-2408029	STUD, POWER FRAME	30
5	TS-6300180	NUT, LINER BUSHING STUD	18
6	TS-2408028	STUD, LINER BUSHING	18
7	TS-6300281	NUT, DISCHARGE TO SUCTION MODULE STUD	18
8	TS-2408033	STUD, DISCHARGE MODULE TO SUCTION MODULE	18
9	TS-6300240	NUT, THREADED RING STUD	36
10	TS-2408027	STUD, THREADED RING	36
11	TS-1292243	MODULE, STUDED FLUID END SUCTION(INCLUDES ITEM 12,13,14)	3
12	TS-1292244	SUCTION MODULE ONLY	3
13	TS-6300240	NUT, THREADED RING STUD	36
14	TS-2408027	STUD, THREADED RING	36
15	TS-1292165	BUSHING, LINER	3
16	TS-1292174	RETAINER, SEAL	6
17	TS-1292172	CAP, VALVE COVER (THREADED)	6
18	TS-1292178	SCREW, ADJUSTING WEDGE	6
19	TS-6300182	NUT, WEDGE ADJUSTING SCREW	6
20	TS-1292171	WASHER, WEDGE ADJUSTING SCREW	6
21	TS-1292176	RING, THREADED	6
22	TS-G-1292268	LOCKING WEDGE ASSEMBLY	6
23	TS-1540127	GASKET, VALVE COVER	6
24	TS-1292140	RETAINER, VALVE GUIDE BUSHING	6
25	TS-1292141	BUSHING, VALVE GUIDE	6
26	TS-6511416	PIN, DOWELL	6
27	TS-1292266	PLATE, WEAR	3
28	TS-1292252	CONNECTOR, DISCHARGE	2
29	TS-700030711	CAPSCREW, DISCHARGE CONNECTOR	16
30	-	WASHER, LOCK	16
31	TS-1292253	ADAPTER, DISCHARGE CONNECTOR	2
32	TS-2410031433	SEAL, DISCHARGE CONNECTOR TO DISCHARGE ADAPTER	2
33	TS-2410031437	SEAL, DISCHARGE CONNECTOR & DISCHARGE ADAPTER	4
34	TS-1292166	ASSEMBLY, LINER CLAMP	3
35	TS-700049110	CAPSCREW, LINER CLAMP	6
36	TS-6309140	NUT, LINER CAPSCREW	6
37	TS-1292169	PIN, CONNECTOR	6
38	TS-1292168	CONNECTOR, LINER CLAMP	6
39	TS-2408015	STUD, TOP TAPER LOCK (FOR BLIND RING AND WELD NECK FLANGES)	16
40	TS-6300240	NUT, STUD (BLIND RING AND WELD NECK FLANGES)	16
41	TS-1292257	SEAL, MODULE & WEAR PLATE	6
42	TS-1540851	SEAL, SUCTION MANIFOLD	3

TSC does not warrant or represent that any of such information is accurate, or that any products listed are compatible with each other.
Any deviations from the OEM products should be verified as to compatibility.

TSC Manufacturing and Supply LLC, 13788 West Road, Suite 100, Houston, Texas 77041, USA!

FLUID END MODULE & ACCESSORIES

**NATIONAL 12-P-160 (FAST CHANGE)
TSC Manufacturing and Supply, LLC.**



TSC Manufacturing and Supply LLC, 13788 West Road, Suite 100, Houston, Texas 77041, USA!

FLUID END MODULE & ACCESSORIES

NATIONAL 12-P-160 (FAST CHANGE)

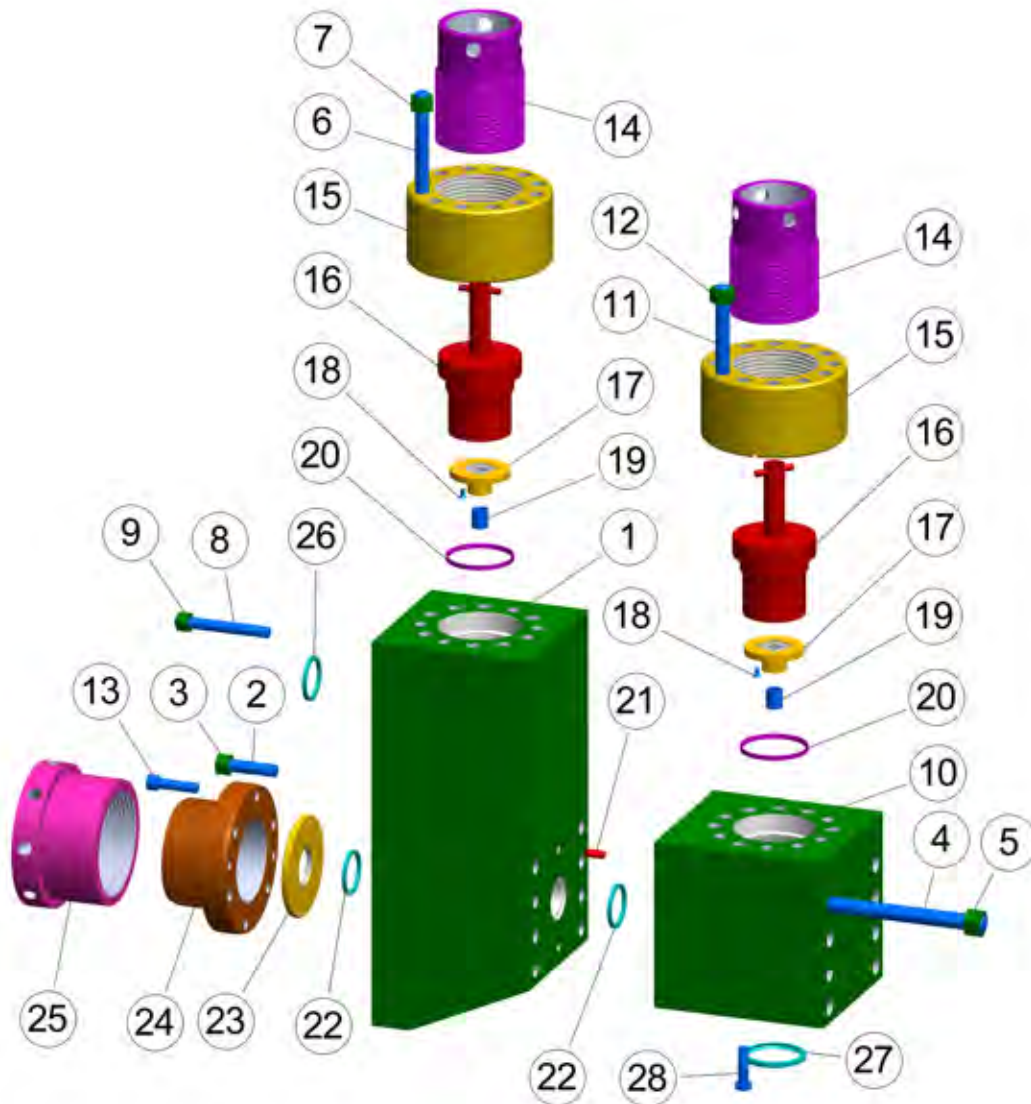
ITEM	PART NUMBER	DESCRIPTION	QTY/PUMP
	TS-FEMNAT12PFCCA	FLUID END MODULE COMPLETE ASSEMBLY	
1	TS-1292361	MODULE, STUDED FLUID END DISCHARGE (INCLUDES ITEM 2-10)	3
2	TS-1292241	DISCHARGE MODULE ONLY	3
3	TS-6300220	NUT, POWER FRAME STUD	30
4	TS-2408029	STUD, POWER FRAME	30
5	TS-6300180	NUT, LINER BUSHING STUD	18
6	TS-2408028	STUD, LINER BUSHING	18
7	TS-6300281	NUT, DISCHARGE TO SUCTION MODULE STUD	18
8	TS-2408033	STUD, DISCHARGE MODULE TO SUCTION MODULE	18
9	TS-6300240	NUT, THREADED RING STUD	36
10	TS-2408049	STUD, THREADED RING	36
11	TS-1292362	MODULE, STUDED FLUID END SUCTION (INCLUDES ITEM 12,13,14)	3
12	TS-1292244	SUCTION MODULE ONLY	3
13	TS-6300240	NUT, THREADED RING STUD	36
14	TS-2408049	STUD, THREADED RING	36
15	TS-1292165	BUSHING, LINER	3
16	TS-1292350	RETAINER, SEAL	6
17	TS-1292352	CAP, VALVE COVER (THREADED)	6
21	TS-1292351	RING, THREADED	6
23	TS-1540127	GASKET, VALVE COVER	6
24	TS-1292140	RETAINER, VALVE GUIDE BUSHING	6
25	TS-1292141	BUSHING, VALVE GUIDE	6
26	TS-6511416	PIN, DOWELL	6
27	TS-1292266	PLATE, WEAR	3
28	TS-1292252	CONNECTOR, DISCHARGE	2
29	TS-700030711	CAPSCREW, DISCHARGE CONNECTOR	16
30	-	WASHER, LOCK	16
31	TS-1292253	ADAPTER, DISCHARGE CONNECTOR	2
32	TS-2410031433	SEAL, DISCHARGE CONNECTOR TO DISCHARGE ADAPTER	2
33	TS-2410031437	SEAL, DISCHARGE CONNECTOR & DISCHARGE ADAPTER	4
34	TS-1292166	ASSEMBLY, LINER CLAMP	3
35	TS-700049110	CAPSCREW, LINER CLAMP	6
36	TS-6309140	NUT, LINER CAPSCREW	6
37	TS-1292169	PIN, CONNECTOR	6
38	TS-1292168	CONNECTOR, LINER CLAMP	6
39	TS-2408015	STUD, TOP TAPER LOCK (FOR BLIND RING AND WELD NECK FLANGES)	16
40	TS-6300240	NUT, STUD (BLIND RING AND WELD NECK FLANGES)	16
41	TS-1292257	SEAL , PLATE WEAR	6
42	TS-1540851	SEAL,SUCTION MANIFOLD	3
39	TS-2408015	STUD, TOP TAPER LOCK (FOR BLIND RING AND WELD NECK FLANGES)	16
40	TS-6300240	NUT, STUD (BLIND RING AND WELD NECK FLANGES)	16
41	TS-1292257	SEAL, MODULE & WEAR PLATE	6
42	TS-1540851	SEAL, SUCTION MANIFOLD	3

TSC does not warrant or represent that any of such information is accurate, or that any products listed are compatible with each other.
Any deviations from the OEM products should be verified as to compatibility.

TSC Manufacturing and Supply LLC, 13788 West Road, Suite 100, Houston, Texas 77041, USA!

FLUID END MODULE & ACCESSORIES

**NATIONAL 12-P-160 (7500 PSI)
TSC Manufacturing and Supply, LLC.**



TSC Manufacturing and Supply LLC, 13788 West Road, Suite 100, Houston, Texas 77041, USA!

FLUID END MODULE & ACCESSORIES**NATIONAL 12-P-160 (7500 PSI)**

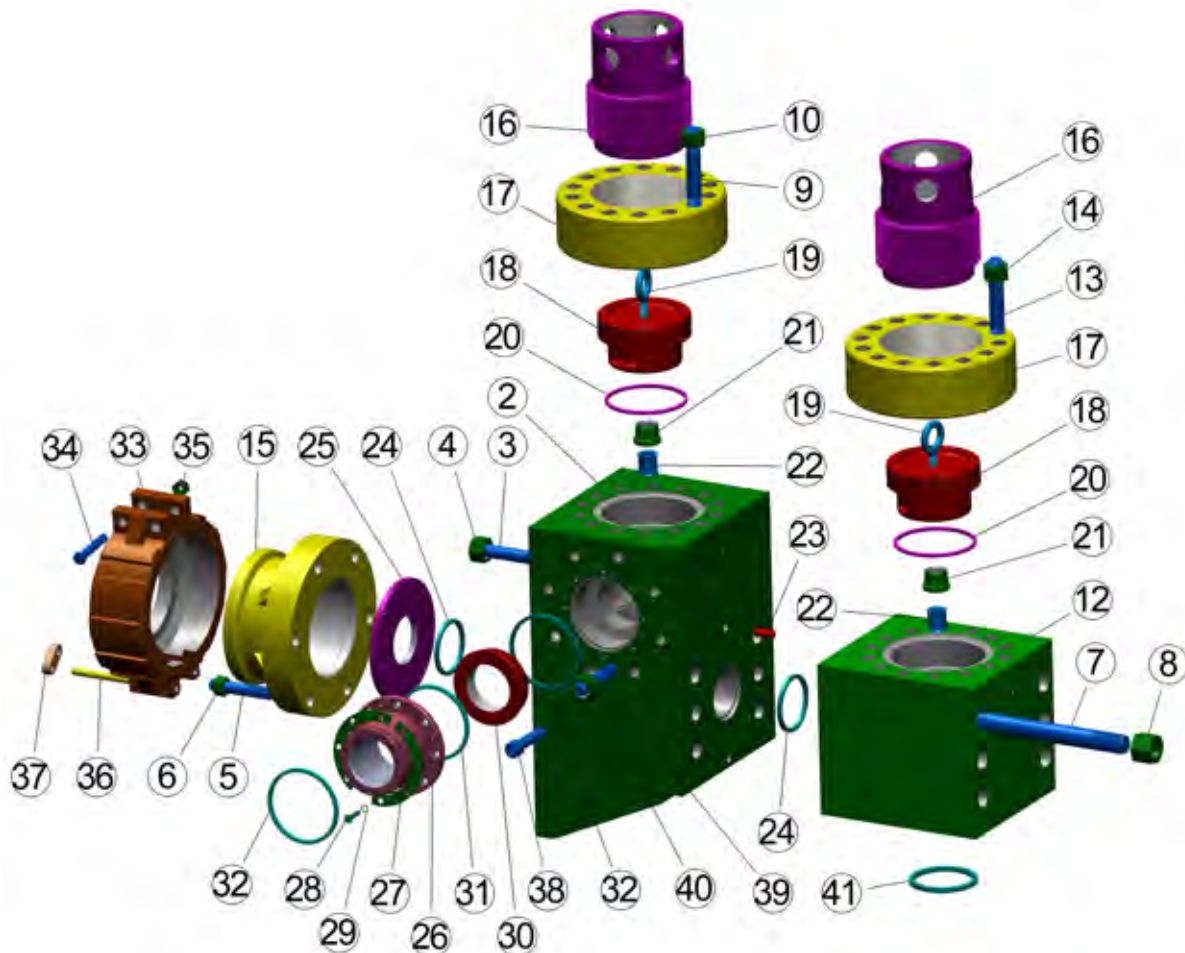
ITEM	PART NUMBER	DESCRIPTION	QTY/PUMP
	TS-FEMNAT12P75CA	FLUID END MODULE COMPLETE ASSEMBLY	3
1	TS-80704000	MODULE, DISCHARGE STUDDED	3
2	TS-NAT12P160PFS	STUD, POWER FRAME	30
3	TS-NAT8P80TRSN	NUT, POWER FRAME STUD	30
4	TS-80704002	STUD, DISCHARGE TO SUCTION MODULE	24
5	TS-PEP55	NUT, DISCHARGE TO SUCTION STUD	24
6	TS-80700014	STUD,THREADED RING	36
7	TS-6300240	NUT,THREADED RING STUD	36
8	TS-IDT800DMS	STUD, DISCHARGE MANIFOLD	12
9	TS-IDT800TRSN	NUT, DISCHARGE MANIFOLD STUD	12
10	TS-80704001	MODULE, SUCTION STUDDED	3
11	TS-80700014	STUD, THREADED RING	36
12	TS-6300240	NUT, THREADED RING STUD	36
13	TS-PEP75	STUD, LINER BUSHING	18
14	TS-80704004	CAP, THREAD	6
15	TS-80704003	RING, THREAD	6
16	TS-80704005	VALVE COVER	6
17	TS-12PVGASW	VALVE GUIDE	6
18	TS-7007303	CAP SCREW, VALVE GUIDE	12
19	TS-PZ789VGI	BUSHING, VALVE GUIDE	6
20	TS-P-129	SEAL, VALVE COVER	6
21	TS-PEP70	PIN, DOWEL	6
22	TS-1290344	GASKET, WEAR PLATE AND LINER	6
23	TS-PP602160SW	WEAR LPATE	3
24	TS-12PLASW	FLANGE, LINER RETAINER (LINER BUSHING)	3
25	TS-12PLANSW	NUT, LINER RETAINER	3
26	TS-99609235	SEAL, DISCHARGE MANIFOLD	3
27	TS-1540851	GASKET, SUCTION MANIFOLD	3
28	TS-700048511	CAP SCREW, SUCTION MANIFOLD	24

TSC does not warrant or represent that any of such information is accurate, or that any products listed are compatible with each other.
Any deviations from the OEM products should be verified as to compatibility.

TSC Manufacturing and Supply LLC, 13788 West Road, Suite 100, Houston, Texas 77041, USA!

FLUID END MODULE & ACCESSORIES

NATIONAL 14-P-220 TSC Manufacturing and Supply, LLC.



TSC Manufacturing and Supply LLC, 13788 West Road, Suite 100, Houston, Texas 77041, USA!

FLUID END MODULE & ACCESSORIES**NATIONAL 14-P-220**

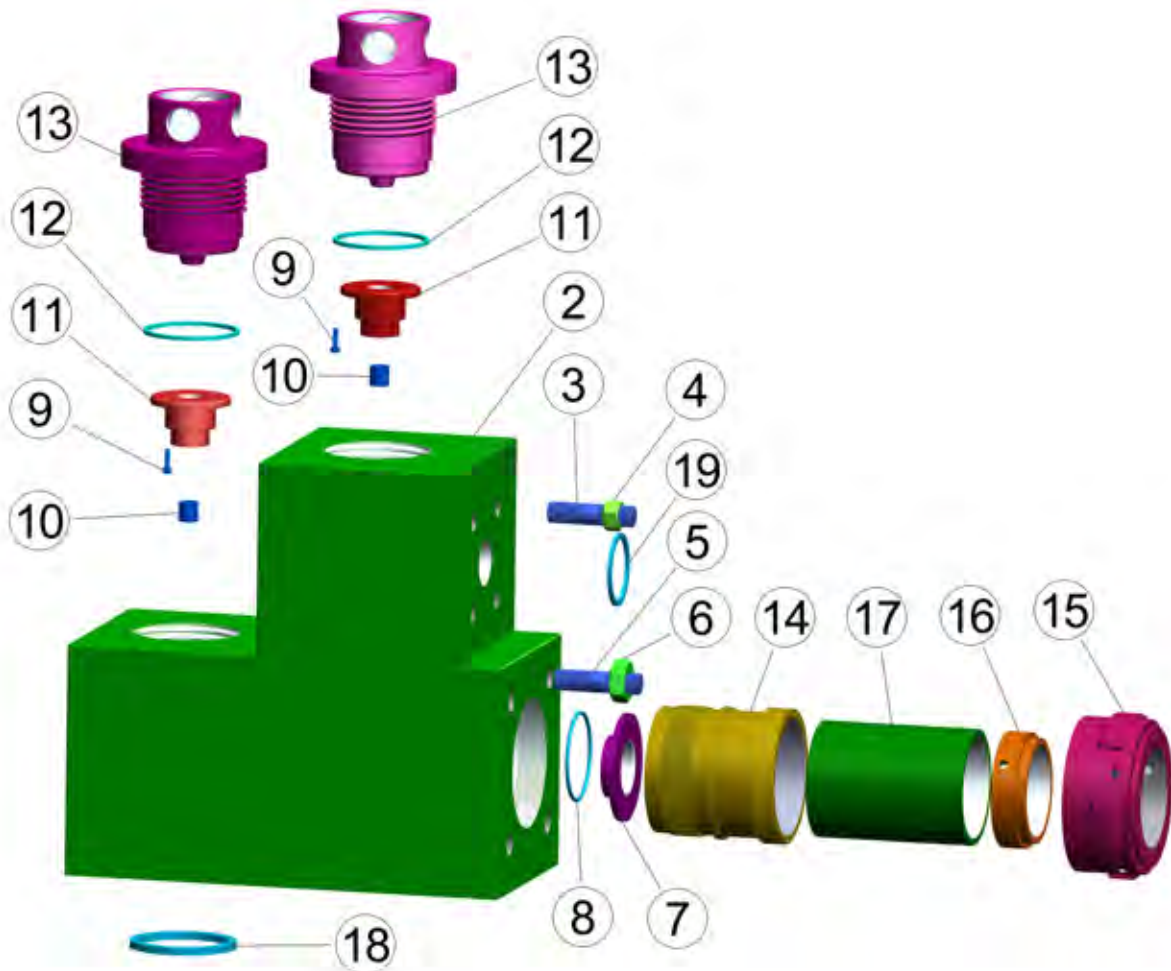
ITEM	PART NUMBER	DESCRIPTION	QTY/PUMP
	TS-FEMNAT14PCA	FLUID END MODUAL COMPLETE ASSEMBLY	3
1	TS-1295240	MODULE, STUDED FLUID END DISCHARGE (INCLUDES ITEMS 2-10)	3
2	TS-1295241	DISCHARGE MODULE ONLY	3
3	TS-2408027	STUD, POWER FRAME	30
4	TS-6300240	NUT, POWER FRAME STUD	30
5	TS-2408047	STUD, LINER BUSHING	18
6	TS-6300200	NUT, LINER BUSHING STUD	18
7	TS-2408048	STUD, SUCTION TO DISCHARGE MODULE	18
8	TS-6300320	NUT, SUCTION TO DISCHARGE MODULE STUD	18
9	TS-2408049	STUD, VALVE COVER	42
10	TS-6300240	NUT, VALVE COVER STUD	42
11	TS-1295243	MODULE, STUDED FLUID END SUCTION (INCLUDES ITEMS 12-14)	3
12	TS-1295244	SUCTION MODULE ONLY	3
13	TS-2408049	STUD, VALVE COVER	42
14	TS-6300240	NUT, VALVE COVER STUD	42
15	TS-1295165	BUSHING, LINER	3
16	TS-1295172	CAP, VALVE COVER (THREADED)	6
17	TS-1295176	RING, THREADED	6
18	TS-1295174	RETAINER, SEAL	6
19	TS-7601-0040-11	PULLER,SEAL RETAINER	6
20	TS-1540163	SEAL, VALVE COVER	6
21	TS-1292140	HOLDER, VALVE GUIDE INSERT	6
22	TS-1292141	INSERT, VALVE GUIDE	6
23	TS-6511416	PIN, DOWELL	6
24	TS-1295257	SEAL, MODULE & WEAR PLATE	6
25	TS-1295266	PLATE, WEAR	3
26	TS-1295252	CONNECTOR, DISCHARGE	2
27	TS-1295175	RING, DISCHARGE CONNECTOR BACK UP	4
28	TS-700030711	CAPSCREW, DISCHARGE CONNECTOR	16
29	TS-7619050	WASHER, DISCHARGE CONNECTOR CAPSCREW	16
30	TS-1295253	ADAPTER, DISCHARGE CONNECTOR	2
31	TS-2410031438	SEAL, DISCHARGE CONNECTOR TO DISCHARGE ADAPTER	2
32	TS-2410031440	SEAL, DISCHARGE CONNECTOR & DISCHARGE ADAPTER	4
33	TS-1295166	CLAMP COMPLETE, LINER	3
34	TS-700049110	CAPSCREW, LINER CLAMP	6
35	TS-6309140	NUT, LINER CAPSCREW	6
36	TS-1295169	PIN, LINER CLAMP	6
37	TS-1295168	CONNECTOR, LINER CLAMP	6
38	TS-7006609	CAPSCREW, DISCHARGE SPACER FLANGE	24
39	TS-2408014	STUD, DISCHARGE FLANGE	24
40	TS-6300180	NUT, DISCHARGE FLANGE STUD	24
41	TS-1540021	SEAL, SUCTION MANIFOLD	3

TSC does not warrant or represent that any of such information is accurate, or that any products listed are compatible with each other.
Any deviations from the OEM products should be verified as to compatibility.

TSC Manufacturing and Supply LLC, 13788 West Road, Suite 100, Houston, Texas 77041, USA!

FLUID END MODULE & ACCESSORIES

**OILWELL A-850-PT, A-1100-PT,
A-1400-PT, A-1700-PT
TSC Manufacturing and Supply, LLC.**



TSC Manufacturing and Supply LLC, 13788 West Road, Suite 100, Houston, Texas 77041, USA!

FLUID END MODULE & ACCESSORIES**OILWELL A-850-PT, A-1100-PT, A-1400-PT, A-1700PT**

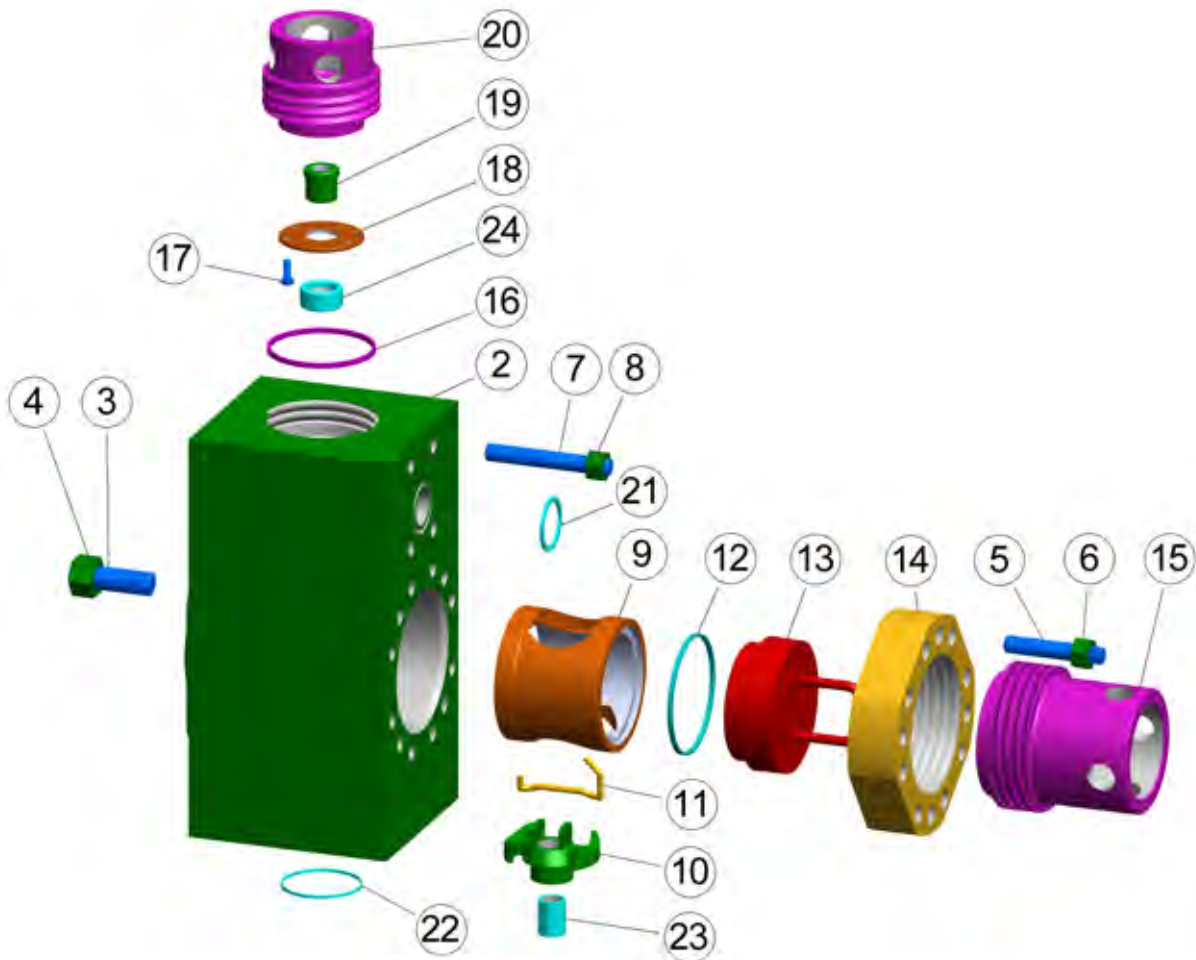
ITEM	PART NUMBER	DESCRIPTION	QTY/PUMP
	TS-OWFEMA8517PTCA	FLUID END MODULE COMPLETE ASSEMBLY	3
1	TS-10300181	FLUID END MODULE (STUDED) (INCLUDES ITEM 2-6)	3
2	TS-6621-282	FLUID END MODULE ONLY	3
3	TS-49001292	STUD, DISCHARGE MANIFOLD	12
4	TS-75511754	NUT, DISCHARGE MANIFOLD STUD	12
5	TS-49002837	STUD, POWER FRAME	12
6	TS-75510126	NUT, POWER FRAME STUD	12
7	TS-10300184	PLATE, WEAR	3
8	TS-20100008	GASKET, WEAR PLATE TO MODULE	3
9	TS-75632234	CAPSCREW, LOWER VALVE GUIDE	24
10	TS-20200004	BUSHING, VALVE GUIDE	6
11	TS-10300004	GUIDE, VALVE	6
12	TS-10300011	GASKET, VALVE COVER (G-760)	6
13	TS-10300005	COVER, VALVE	6
14	TS-10300183	ADAPTER, LINER	3
15	TS-10303092	NUT, LINER ADAPTER (FOR A850-PT & A-1100PT)	3
15	TS-10300182	NUT, LINER ADAPTER (FOR A1400-PT & A-1700PT)	3
16	TS-10300185	RING, LINER SPACER RING	3
17	TS-10303091	SLEEVE, LINER CENTERING (FOR A-850-PT & A-1100-PT)	3
17	TS-10300186	SLEEVE, LINER CENTERING (FOR A-1400-PT & A-1700-PT)	3
18	TS-10300201	GASKET, SUCTION MANIFOLD	3
19	TS-99-609-345	O-RING, DISCHARGE MANIFOLD	3
20	TMA17-STUDSET	STUDS SET INCLUDES 4 PCS TS-49001292, 4 PCS TS-75511754, 4 PCS TS-49002837, 4 PCS TS-75510126	3
21	TMA17-SEALKIT	MODULE SEAL KIT (INCLUDES SUCTION MANIFOLD GASKET, DISCHARGE MANIFOLD O-RING, WEAR PLATE GASKET)	3

TSC does not warrant or represent that any of such information is accurate, or that any products listed are compatible with each other.
Any deviations from the OEM products should be verified as to compatibility.

TSC Manufacturing and Supply LLC, 13788 West Road, Suite 100, Houston, Texas 77041, USA!

FLUID END MODULE & ACCESSORIES

BOMCO F-500 TSC Manufacturing and Supply, LLC.



TSC Manufacturing and Supply LLC, 13788 West Road, Suite 100, Houston, Texas 77041, USA!

FLUID END MODULE & ACCESSORIES**BOMCO F-500**

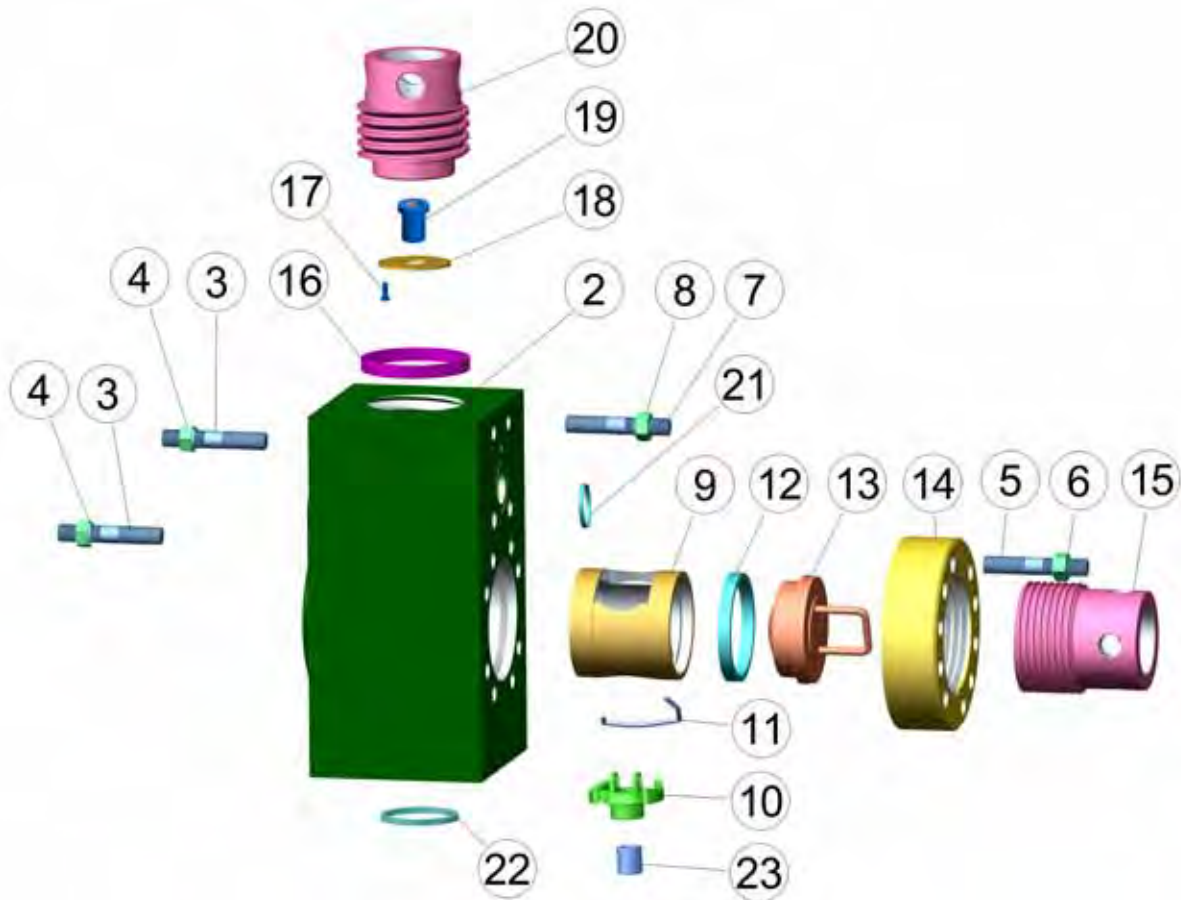
ITEM	PART NUMBER	BAOJI PART NUMBER	DESCRIPTION	QTY/PUMP
	TS-EMSFEMF500CA	AH050101050100	FLUID END MODULE COMPLETE ASSEMBLY (INCLUDES ITEM 2-23)	3
1	TS-6318-0151-00		FLUID END MODULE STUDDER (INCLUDES ITEM 2-8)	3
2	TS-6318-0151-00U		FLUID END MODULE (UNSTUDDER)	3
3	TS-7507-2207-00		STUD FRAME	18
4	TS-7601-0630-17		NUT (FOR ABOVE)	18
5	TS-7507-3402-00		STUD, THREADED RING	36
6	TS-7601-0630-26		NUT (FOR ABOVE)	36
7	TS-7507-3407-00		STUD, DISCHARGE MANIFOLD	12
8	TS-7601-0630-26		NUT (FOR ABOVE)	12
9	TS-6318-0148-00	AH0501010506	CAGE, LINER	3
10	TS-6318-0177-00	AH050101051800	GUIDE, LOWER VALVE (WITH BUSHING)	3
11	TS-6318-0153-00	AH0501010517	CLIP, LOCKING (FOR LOWER VALVE GUIDE)	3
12	TS-7602-2200-34	AH0501010504	GASKET, LINER/CYLINDER HEAD (G-281)	6
13	TS-6318-0158-00	AH050101050500	PLUG, CYLINDER HEAD	3
14	TS-6318-0130-00	AH0501010502	RING, THREADED CYLINDER HEAD	3
15	TS-6318-0157-00	AH0501010503	CAP, THREADED CYLINDER HEAD	3
16	TS-6310-0084-00	AH0501010508	GASKET, VALVE COVER (G-733)	3
17	TS-7501-0051-00	AH1001010513	SCREW, RETAINER (UPPER)	12
18	TS-6310-0133-00	AH0501010511	RETAINER PLATE (UPPER)	3
19	TS-6397-0602-00	AH0501010510	GUIDE, UPPER VALVE	3
20	TS-6310-0016-01	AH0501010509	COVER, VALVE POT	3
21	TS-7602-1600-23	75x5.3(GB3452.1-82)	GASKET, DISCHARGE MANIFOLD	3
22	TS-7602-1600-38	150x7(GB3452.1-82)	GASKET, SUCTION MANIFOLD	3
23	TS-6318-0155-00		BUSHING, LOWER VALVE GUIDE	3
24	TS-AH100101051100	AH100101051100	GUIDE, SPRING	3
25	TMF05-STUDSET		F-500 STUDS AND NUTS SET (INCLUDES 6 PCS TS-7507-2207-00, 6PCS TS-7601-0630-17, 12 PCS TS-7507-3402-00, 16 PCS TS-7601-0630-26, 4 PCS TS-7507-3407-00)	3
26	TMF05-SEALKIT		F-500 MODULE SEAL KIT (INCLUDES TWO G-281, ONE G-733, ONE TS-7602-1600-23, ONE TS-7602-1600-38)	3

TSC does not warrant or represent that any of such information is accurate, or that any products listed are compatible with each other. Any deviations from the OEM products should be verified as to compatibility.

TSC Manufacturing and Supply LLC, 13788 West Road, Suite 100, Houston, Texas 77041, USA!

FLUID END MODULE & ACCESSORIES

BOMCO F-800, F-1000 TSC Manufacturing and Supply, LLC.



TSC Manufacturing and Supply LLC, 13788 West Road, Suite 100, Houston, Texas 77041, USA!

FLUID END MODULE & ACCESSORIES**BOMCO F-800, F-1000**

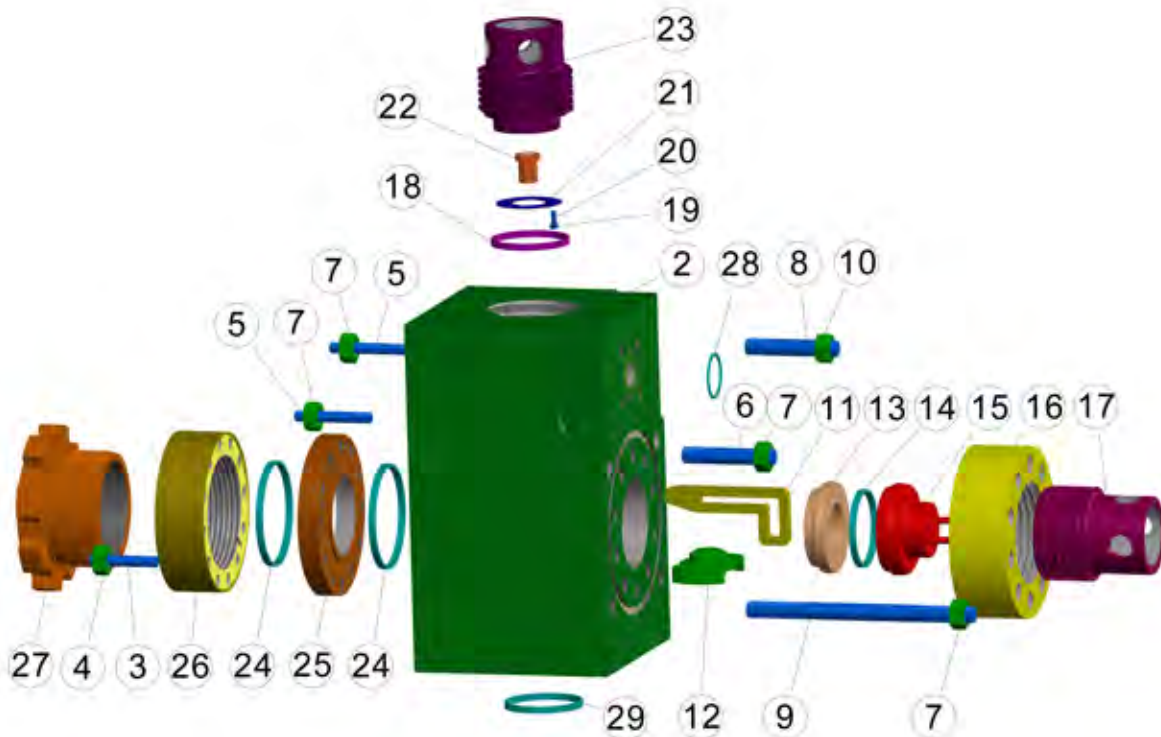
ITEM	PART NUMBER	DESCRIPTION	QTY/PUMP
	TS-6999-0088-00B	FLUID END MODULE COMPLETE ASSEMBLY (INCLUDES ITEM 2-24)	3
1	TS-6999-0086-02B	FLUID END MODULE STUDED (INCLUDES ITEM 2-8)	3
2	TS-6999-0087-02B	FLUID END MODULE (UNSTUDED)	3
3	TS-7507-2205-00	STUD FRAME	24
4	TS-7601-0630-17	NUT (FOR ABOVE)	24
5	TS-7507-2150-00	STUD, THREADED RING	30
6	TS-7601-0630-28	NUT (FOR ABOVE)	30
7	TS-7507-2108-00	STUD, DISCHARGE MANIFOLD	12
8	TS-7601-0630-24	NUT (FOR ABOVE)	12
9	TS-6319-0026-00	CAGE, LINER	3
10	TS-6319-0087-00	GUIDE, LOWER VALVE (WITH BUSHING)	3
11	TS-6319-0089-00	CLIP, LOCKING (FOR LOWER VALVE GUIDE)	3
12	TS-7602-2200-32	GASKET, LINER/ CYLINDER HEAD (G-282)	6
13	TS-6319-0031-00	PLUG, CYLINDER HEAD	3
14	TS-6999-0089-00	RING, THREADED CYLINDER HEAD	3
15	TS-6319-0090-00	CAP, THREADED CYLINDER HEAD	3
16	TS-6319-0076-00	GASKET, VALVE COVER (G-740)	3
17	TS-7501-0051-00	SCREW, RETAINER (UPPER)	12
18	TS-6397-0603-00	PLATE, RETAINER (UPPER)	3
19	TS-6397-0575-00	GUIDE, UPPER VALVE	3
20	TS-6319-0027-00	COVER, VALVE POT	3
21	TS-7602-1610-46	GASKET, DISCHARGE MANIFOLD	3
22	TS-7602-1600-61	GASKET, SUCTION MANIFOLD	3
23	TS-6316-0096-00	BUSHING, LOWER VALVE GUIDE	3
24	TMF10-STUDSET	F-800/1000 STUDS AND NUTS SET (INCLUDES 8 PCS TS-7507-2205-00, 8 PCS TS-7601-0630-17, 10 PCS TS-7507-2150-00, 10 PCS TS-7601-0630-28, 4 PCS TS-7507-2108-00, 4 PCS TS-7601-0630-24)	3
25	TMBJ10-SEALKIT	F-800/1000 MODULE SEAL KIT (INCLUDES 1 PC G-282, 1 PC G-740, 1 PC TS-7602-1610-46, 1 PC TS-7602-1600-61)	3

TSC does not warrant or represent that any of such information is accurate, or that any products listed are compatible with each other.
Any deviations from the OEM products should be verified as to compatibility.

TSC Manufacturing and Supply LLC, 13788 West Road, Suite 100, Houston, Texas 77041, USA!

FLUID END MODULE & ACCESSORIES

BOMCO F-1300, F-1600 TSC Manufacturing and Supply, LLC.



TSC Manufacturing and Supply LLC, 13788 West Road, Suite 100, Houston, Texas 77041, USA!

FLUID END MODULE & ACCESSORIES

BOMCO F-1300, F-1600

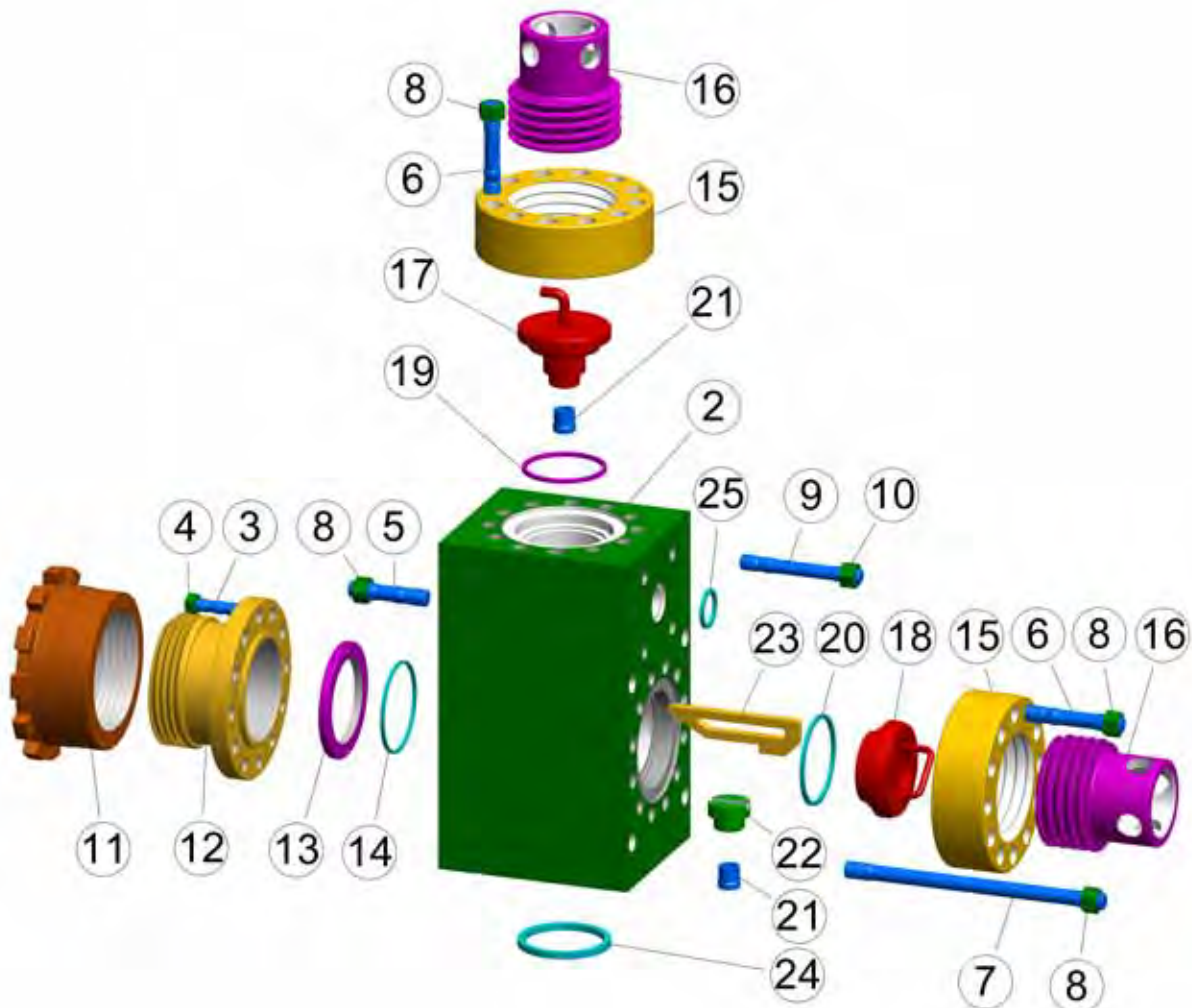
ITEM	PART NUMBER	BOMCO PART NUMBER	DESCRIPTION	QTY/PUMP
	TS-6316-0375-00B		FLUID END MODULE COMPLETE ASSEMBLY(INCLUDES ITEM 2-24, 26- 29)	3
1	TS-6316-0357-00B	AH130102050100	FLUID END MODULE STUDED (INCLUDES ITEM 2-9)	3
2	TS-6316-0356-00B		FLUID END MODULE ONLY (UNSTUDED)	3
3	TS-7507-2013-00		STUD, MODULE TO LINER CLAMP	36
4	TS-7601-0610-18		LINER CLAMP STUD NUT	36
5	TS-7507-2201-00		POWER FRAME STUD	30
6	TS-7507-2210-00		STUD, MODULE TO CYLINDER	30
7	TS-7601-0630-17		NUT, POWER FRAME, DISCHARGE FRAME SUPPORT	72
8	TS-7507-2108-00		STUD, MODULE TO DISC. MANIFOLD	12
9	TS-F16-05-35	AH1301020513	STUD, POWER FRAME SUPPORT	12
10	TS-7601-0630-24	T501-2001	NUT, MODULE TO DISCHARGE MANIFOLD STUD	12
11	TS-F16-05-04	AH130101050400	RETAINER, LOWER VALVE GUIDE	3
12	TS-F16-05-05	AH130101050500	VALVE GUIDE (LOWER)	3
13	TS-F16-05-07	AH1301010507	RETAINER SPACE RING	3
14	TS-6316-0369-00	AH1301010508	GASKET, CYLINDER HEAD SEAL (G-801)	3
15	TS-F16-05-06	AH130101050600	CYLINDER HEAD PLUG	3
16	TS-6316-0361-00	AH130100502	RING, THREADED CYLINDER HEAD	3
17	TS-6316-0362-00	AH130100503	CAP, THREADED CYLINDER HEAD	3
18	TS-6316-0092-00	AH1301010510	GASKET, VALVE COVER (G-741)	3
19	TS-7602-5280-72	040104030160001900	STAINLESS WIRE ϕ 1.6 x 1830	1
20	TS-7501-0051-00	AH0501020509	SCREW, RETAINER (UPPER)	12
21	TS-6397-0603-00	AH1001010512	PLATE, RETAINER (UPPER)	3
22	TS-6397-0575-00	AH1001010510	VALVE GUIDE UPPER	3
23	TS-6316-0039-00	AH1301020502	COVER, VALVE POT	3
24	TS-6316-0373-00	AH1301010512	GASKET, WEAR PLATE/ LINER (G-800)	6
25	TS-6316-0365-00	AH1301020503	WEAR PLATE	3
26	TS-6316-0366-00	AH1301010514	LINER FLANGE	3
27	TS-6316-0367-00	AH130101051500	LINER LOCK	3
28	TS-7602-1600-25	GB3452.1-82"O" ϕ 95x5.3	GASKET, DISCHARGE MANIFOLD	3
29	TS-7602-1600-61	GB3452.1-82"O" ϕ 185x7	GASKET, SUCTION MANIFOLD	3

TSC does not warrant or represent that any of such information is accurate, or that any products listed are compatible with each other. Any deviations from the OEM products should be verified as to compatibility.

TSC Manufacturing and Supply LLC, 13788 West Road, Suite 100, Houston, Texas 77041, USA!

FLUID END MODULE & ACCESSORIES

LANSHI 3NB-1000C TSC Manufacturing and Supply, LLC.



TSC Manufacturing and Supply LLC, 13788 West Road, Suite 100, Houston, Texas 77041, USA!

FLUID END MODULE & ACCESSORIES**LANSHI 3NB-1000C**

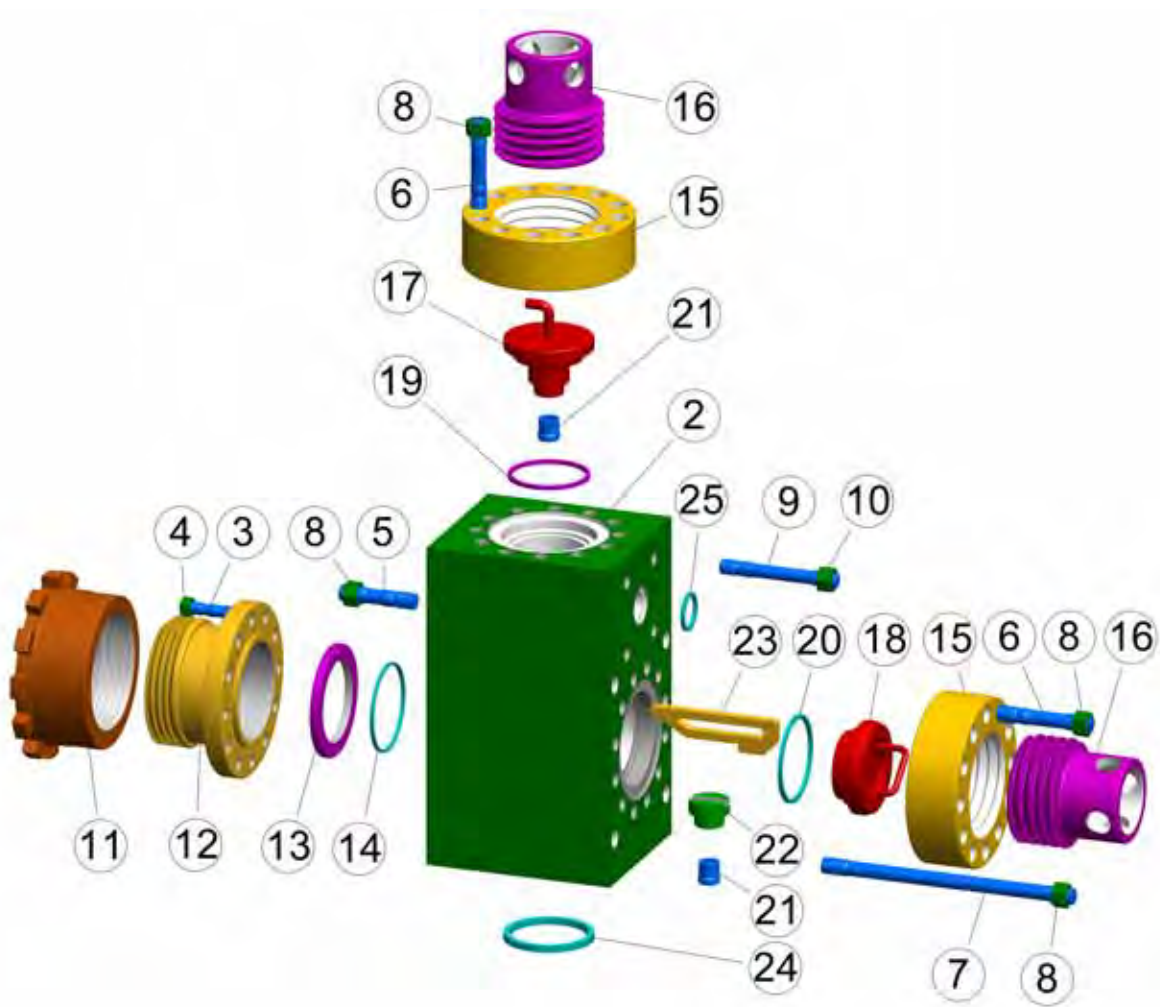
ITEM	PART NUMBER	LANSHI PART NUMBER	DESCRIPTION	QTY/PUMP
	TS-107.14.110.00	107.14.110.00	FLUID END MODULE COMPLETE ASSEMBLY (INCLUDES ITEM 2-25)	3
1	TS-107.14.110.14	107.14.110.14	FLUID END MODULE STUDED (INCLUDES ITEM 2-10)	3
2	TS-107.14.110.14-1	107.14.110.14-1	FLUID END MODULE ONLY (UNSTUDED)	3
3	TS-107.05.110.68	107.05.110.68	STUD, LINER BUSHING	36
4	TS-M27×2	107.04.110.04(M27×2)	NUT, LINER CLAMP STUD	36
5	TS-107.05.110.69	107.05.110.69(M39×3)	STUD, POWER FRAME	12
6	TS-107.04.110.06	107.04.110.06	STUD, MODULE TO CYLINDER	72
7	TS-107.11.110.12-1	107.11.110.12-1	STUD, THROUGH MODULE POWER FRAME	12
8	TS- M36×3	C3-9-92(M36×3)	NUT (FOR ABOVE)	108
9	TS-107.14.110.09	107.14.110.09	STUD, DISCHARGE MANIFOLD	12
10	TS-M30×2	C3-9-92(M30×2)	NUT, DISCHARGE MANIFOLD	12
11	TS-107.14.110.04	107.14.110.04	NUT, LINER ADAPTER	3
12	TS-107.14.110.15	107.14.110.15	BUSHING, LINER	3
13	TS-107.14.110.16	107.14.110.16	WEAR PLATE, LINER	3
14	TS-107.04.09	107.04.09	GASKET, WEAR PLATE	3
15	TS-107.14.110.07	107.14.110.07	RING, THREADED VALVE COVER AND CYLINDER HEAD	6
16	TS-107.14.110.05	107.14.110.05	CAP, THREADED VALVE COVER AND CYLINDER HEAD	6
17	TS-107.14.110.08	107.14.110.08	COVER, VALVE (INCLUDE #21)	3
18	TS-107.14.110.12	107.14.110.12	PLUG, CYLINDER HEAD	3
19	TS-107.04.110.55	107.04.110.55	GASKET, VALVE COVER	3
20	TS-107.14.110.13	107.14.110.13	GASKET, CYLINDER HEAD PLUG	3
21	TS-107.04.110.10	107.04.110.10	BUSHING, VALVE GUIDE	6
22	TS-107.14.110.11	107.14.110.11	ASSEMBLY, LOWER VALVE GUIDE (INCLUDE #21)	3
23	TS-107.14.110.10	107.14.110.10	RETAINER, LOWER VALVE GUIDE	3
24	TS-107.04.110.13	107.04.110.13	GASKET, SUCTION MANIFOLD	3
25	TS-107.10.110.03	107.10.110.03	GASKET, DISCHARGE MANIFOLD	3

TSC does not warrant or represent that any of such information is accurate, or that any products listed are compatible with each other.
Any deviations from the OEM products should be verified as to compatibility.

TSC Manufacturing and Supply LLC, 13788 West Road, Suite 100, Houston, Texas 77041, USA!

FLUID END MODULE & ACCESSORIES

LANSHI 3NB-1300C TSC Manufacturing and Supply, LLC.



TSC Manufacturing and Supply LLC, 13788 West Road, Suite 100, Houston, Texas 77041, USA!

FLUID END MODULE & ACCESSORIES

LANSHI 3NB-1300C

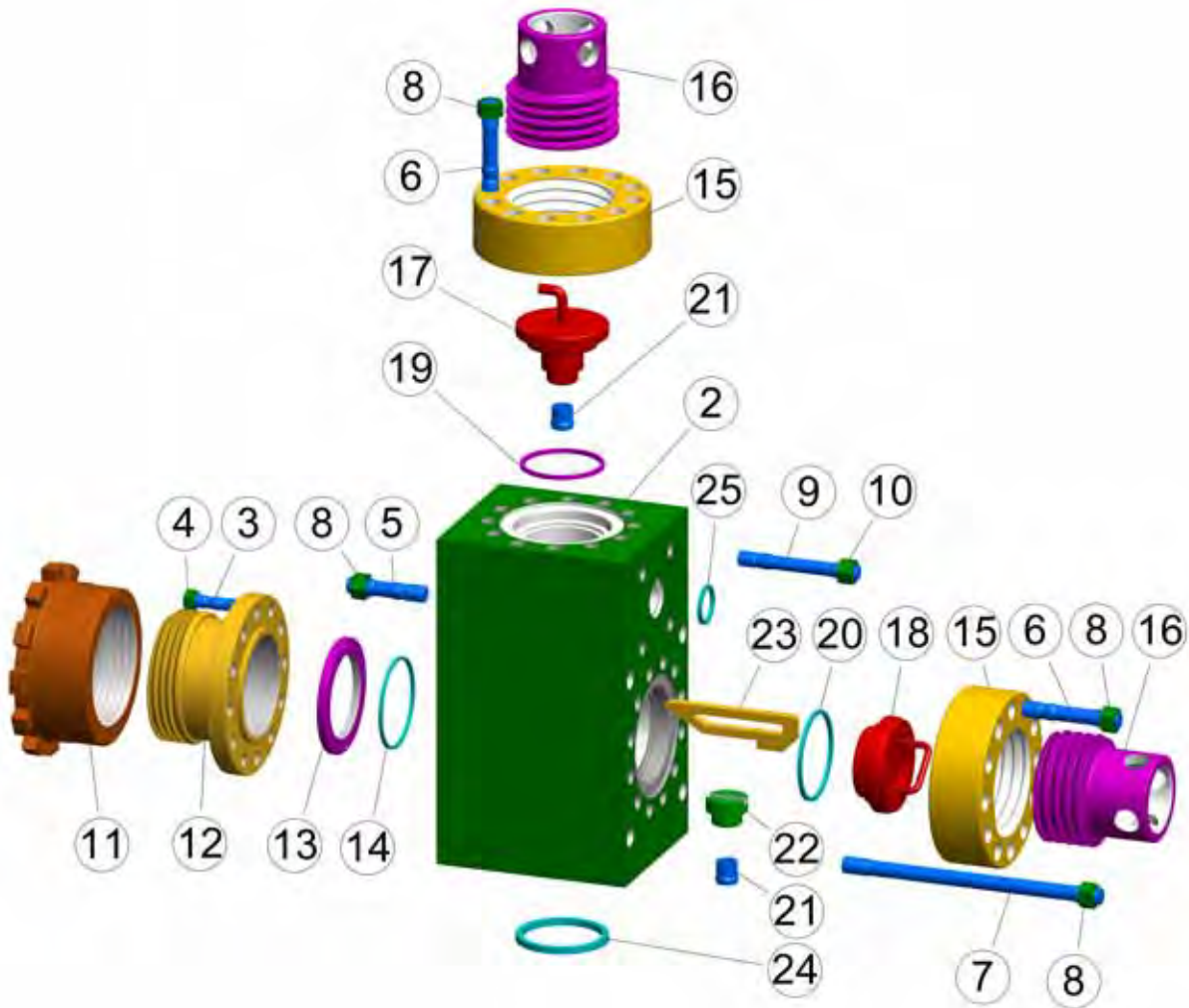
ITEM	PART NUMBER	LANSHI PART NUMBER	DESCRIPTION	QTY/PUMP
	TS-107.12.110.00	107.12.110.00	FLUID END MODULE COMPLETE ASSEMBLY (INCLUDES ITEM 2-25)	3
1	TS-107.11.110.14-2	107.11.110.14-2	FLUID END MODULE STUDDED (INCLUDES ITEM 2-10)	3
2	TS-107.11.110.14-1	107.11.110.14-1	FLUID END MODULE ONLY (UNSTUDED)	3
3	TS-107.11.110.41-1	107.11.10.41-1	STUD, LINER BUSHING	36
4	TS-M30×2	C3-9-92(M30×2)	NUT, LINER CLAMP STUD	36
5	TS-107.11.110.17	107.11.110.17(M39×3)	STUD, POWER FRAME	12
6	TS-107.11.110.02	107.11.110.02	STUD, MODULE TO CYLINDER	72
7	TS-107.11.110.12-1	107.11.110.12-1	STUD, THROUGH MODULE POWER FRAME	12
8	TS-107.04.110.29	107.04.110.29	NUT (FOR ABOVE)	108
9	TS-107.11.110.06	107.11.110.06	STUD, DISCHARGE MANIFOLD	12
10	TS-M36×3	C3-9-92(M36×3)	NUT, DISCHARGE MANIFOLD	12
11	TS-107.11.110.40	107.11.110.40	NUT, LINER ADAPTER	3
12	TS-107.11.110.18-1	107.11.110.18-1	BUSHING, LINER	3
13	TS-107.11.110.43	107.11.110.43	WEAR PLATE, LINER	3
14	TS-107.11.110.42	107.11.110.42	GASKET, WEAR PLATE	3
15	TS-107.11.110.03	107.11.110.03	RING, THREADED VALVE COVER AND CYLINDER HEAD	6
16	TS-107.11.110.01	107.11.110.01	CAP, THREADED VALVE COVER AND CYLINDER HEAD	6
17	TS-107.11.340.00	107.11.340.00	COVER, VALVE (INCLUDE #21)	3
18	TS-107.11.330.00	107.11.330.00	PLUG, CYLINDER HEAD	3
19	TS-107.11.110.05	107.11.110.05	GASKET, VALVE COVER	3
20	TS-107.11.110.68	107.11.110.68	GASKET, CYLINDER HEAD PLUG	3
21	TS-107.11.110.67	107.11.110.67	BUSHING, VALVE GUIDE	6
22	TS-107.11.110.52-1	107.11.110.52-1	ASSEMBLY, LOWER VALVE GUIDE (INCLUDE #21)	3
23	TS-107.11.110.65-1	107.11.110.65-1	RETAINER, LOWER VALVE GUIDE	3
24	TS-107.04.110.13	107.04.110.13	GASKET, SUCTION MANIFOLD	3
25	TS-107.10.110.03	107.10.110.03	GASKET, DISCHARGE MANIFOLD	3

TSC does not warrant or represent that any of such information is accurate, or that any products listed are compatible with each other.
Any deviations from the OEM products should be verified as to compatibility.

TSC Manufacturing and Supply LLC, 13788 West Road, Suite 100, Houston, Texas 77041, USA!

FLUID END MODULE & ACCESSORIES

LANSHI 3NB-1600 TSC Manufacturing and Supply, LLC.



TSC Manufacturing and Supply LLC, 13788 West Road, Suite 100, Houston, Texas 77041, USA!

FLUID END MODULE & ACCESSORIES**LANSHI 3NB-1600**

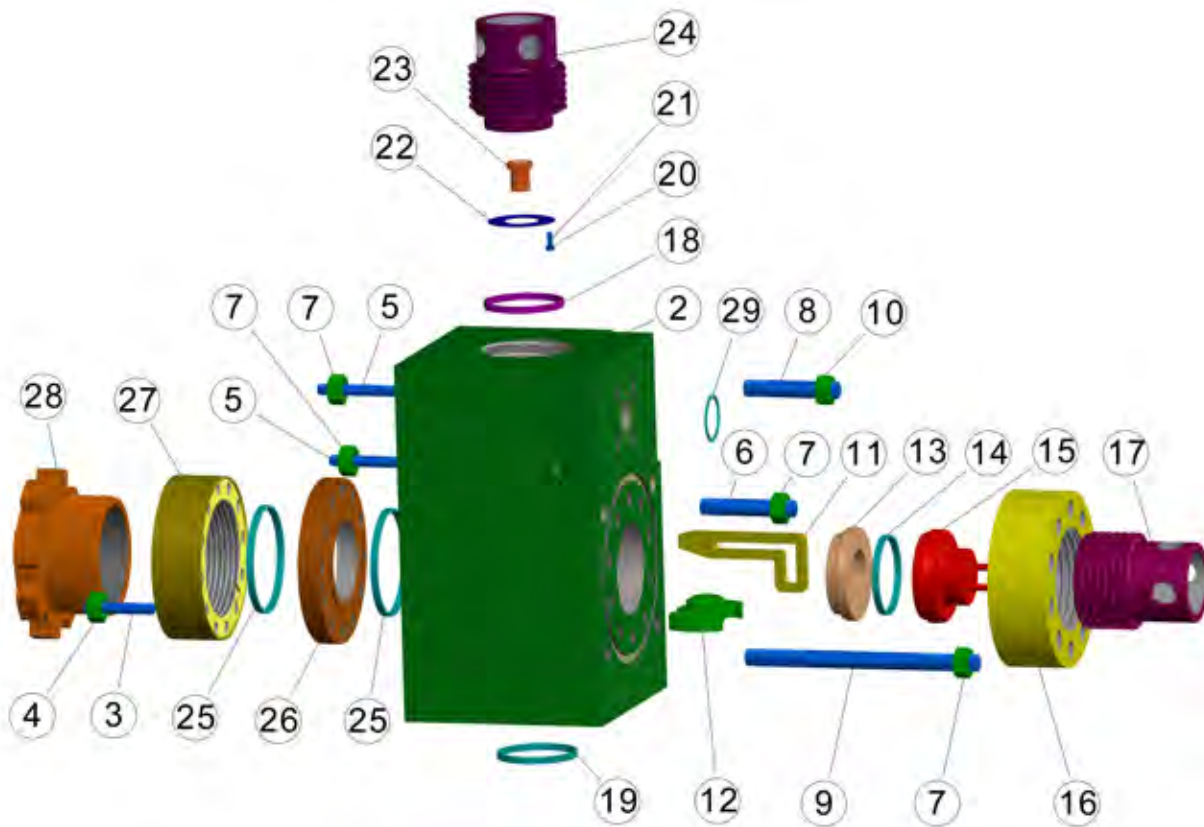
ITEM	PART NUMBER		DESCRIPTION	QTY/PUMP
	TS-107.11.110.00	107.11.110.00	FLUID END MODULE COMPLETE ASSEMBLY (INCLUDES ITEM 2-25)	3
1	TS-107.11.110.14-2	107.11.110.14-2	FLUID END MODULE STUDDED (INCLUDES ITEM 2-10)	3
2	TS-107.11.110.14-1	107.11.110.14-1	FLUID END MODULE ONLY (UNSTUDED)	3
3	TS-107.11.110.41-1	107.11.110.41-1	STUD, LINER BUSHING	36
4	TS-M30×2	C3-9-92(M30×2)	NUT, LINER CLAMP STUD	36
5	TS-107.11.110.17	107.11.110.17(M39×3)	STUD, POWER FRAME	12
6	TS-107.11.110.02	107.11.110.02	STUD, MODULE TO CYLINDER	72
7	TS-107.11.110.12-1	107.11.110.12-1	STUD, THROUGH MODULE POWER FRAME	12
8	TS-107.04.110.29	107.04.110.29	NUT (FOR ABOVE)	108
9	TS-107.11.110.06	107.11.110.06	STUD, DISCHARGE MANIFOLD	12
10	TS-M36×3	C3-9-92(M36×3)	NUT, DISCHARGE MANIFOLD	12
11	TS-107.11.110.40	107.11.110.40	NUT, LINER ADAPTER	3
12	TS-107.11.110.18-1	107.11.110.18-1	BUSHING, LINER	3
13	TS-107.11.110.43	107.11.110.43	WEAR PLATE, LINER	3
14	TS-107.11.110.42	107.11.110.42	GASKET, WEAR PLATE	3
15	TS-107.11.110.03	107.11.110.03	RING, THREADED VALVE COVER AND CYLINDER HEAD	6
16	TS-107.11.110.01	107.11.110.01	CAP, THREADED VALVE COVER AND CYLINDER HEAD	6
17	TS-107.11.340.00	107.11.340.00	COVER, VALVE (INCLUDE #21)	3
18	TS-107.11.330.00	107.11.330.00	PLUG, CYLINDER HEAD	3
19	TS-107.11.110.05	107.11.110.05	GASKET, VALVE COVER	3
20	TS-107.11.110.68	107.11.110.68	GASKET, CYLINDER HEAD PLUG	3
21	TS-107.11.110.67	107.11.110.67	BUSHING, VALVE GUIDE	6
22	TS-107.11.110.52-1	107.11.110.52-1	ASSEMBLY, LOWER VALVE GUIDE (INCLUDE #21)	3
23	TS-107.11.110.65-1	107.11.110.65-1	RETAINER, LOWER VALVE GUIDE	3
24	TS-107.04.110.13	107.04.110.13	GASKET, SUCTION MANIFOLD	3
25	TS-107.10.110.03	107.10.110.03	GASKET, DISCHARGE MANIFOLD	3

TSC does not warrant or represent that any of such information is accurate, or that any products listed are compatible with each other.
Any deviations from the OEM products should be verified as to compatibility.

TSC Manufacturing and Supply LLC, 13788 West Road, Suite 100, Houston, Texas 77041, USA!

FLUID END MODULE & ACCESSORIES

HONGHUA HHF-1300, HHF-1600
TSC Manufacturing and Supply, LLC.



TSC Manufacturing and Supply LLC, 13788 West Road, Suite 100, Houston, Texas 77041, USA!

FLUID END MODULE & ACCESSORIES

HONGHUA HHF-1300, HHF-1600

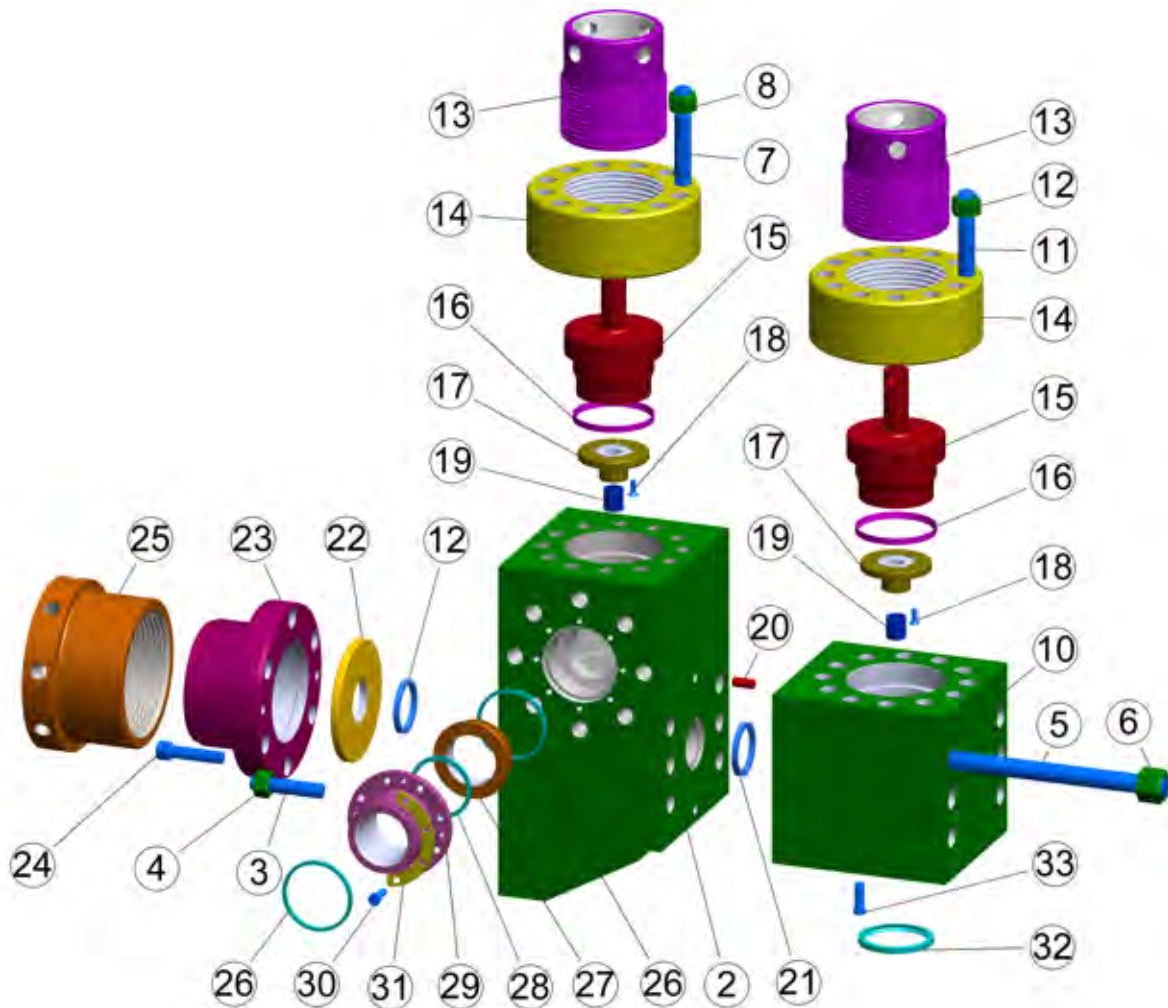
ITEM	PART NUMBER	HONG HUA PART NUMBER	DESCRIPTION	QTY/PUMP
	TS-6316-0375-00B		FLUID END MODULE COMPLETE ASSEMBLY (INCLUDES ITEM 2-24, 26-29)	3
1	TS-6316-0357-00B	11-3161-0501-00	FLUID END MODULE STUDED (INCLUDES ITEM 2-10)	3
2	TS-6316-0356-00B	11-3161-0501-01	FLUID END MODULE ONLY (UNSTUDED)	3
3	TS-7507-2013-00	11-3161-0501-02	STUD, MODULE TO LINER CLAMP	36
4	TS-7601-0610-18	11-3161-0501-03	NUT, LINER CLAMP STUD	36
5	TS-7507-2201-00	11-3161-0501-05	STUD, POWER FRAME	30
6	TS-7507-2210-00	11-3161-0501-04	STUD, MODULE TO CYLINDER	30
7	TS-7601-0630-17	11-3161-0501-06	NUT	72
8	TS-7507-2108-00	11-3161-0501-07	STUD, MODULE TO DISC. MANIFOLD	12
9	TS-F16-05-35	11-3161-0537	STUD, FRAME SUPPORT	12
10	TS-7601-0630-24	11-3161-0501-08	NUT, MODULE TO DISCHARGE MANIFOLD STUD	12
11	TS-F16-05-04	11-3161-0504-00	VALVE GUIDE RETAINER	3
12	TS-F16-05-05	11-3161-0505-00	VALVE GUIDE (LOWER)	3
13	TS-F16-05-07	11-3161-0507	SPACER RING	3
14	TS-6316-0369-00	11-3161-0508	GASKET, CYLINDER HEAD SEAL (G-801*)	3
15	TS-F16-05-06	11-3161-0506-00	CYLINDER HEAD	3
16	TS-6316-0361-00	11-3161-0502	RING, THREADED CYLINDER HEAD	3
17	TS-6316-0362-00	11-3161-0503	CAP, THREADED CYLINDER HEAD	3
18	TS-6316-0092-00	11-3161-0512	GASKET, VALVE COVER (G-741*)	3
19	TS-7602-1600-61	B34521-190-700-69	GASKET, SUCTION MANIFOLD	3
20	TS-7602-5280-72	11-3161-0545	STEEL WIRE	1
21	TS-7501-0051-00	11-3161-0512-0530	SCREW, RETAINER (UPPER)	12
22	TS-6397-0603-00	11-3161-0529	PLATE, RETAINER (UPPER)	3
23	TS-6397-0575-00	11-3161-0527	VALVE GUIDE (UPPER)	3
24	TS-6316-0039-00	11-3161-0513	COVER, VALVE POT	3
25	TS-6316-0373-00	11-3161-0514	GASKET, WEAR PLATE/ LINER (G-800*)	6
26	TS-3161-0515	11-3161-0515	WEAR PLATE	3
27	TS-6316-0366-00	11-3161-0516	LINER FLANGE	3
28	TS-6316-0367-00	11-3161-0517-00	LINER LOCK	3
29	TS-7602-1600-25	B34521-095-530-69	GASKET, DISCHARGE MANIFOLD	3

TSC does not warrant or represent that any of such information is accurate, or that any products listed are compatible with each other.
Any deviations from the OEM products should be verified as to compatibility.

TSC Manufacturing and Supply LLC, 13788 West Road, Suite 100, Houston, Texas 77041, USA!

FLUID END MODULE & ACCESSORIES

**SOUTHWEST NEW STYLE MODULE FOR NATIONAL 12-P-160
TSC Manufacturing and Supply, LLC.**



TSC Manufacturing and Supply LLC, 13788 West Road, Suite 100, Houston, Texas 77041, USA!

FLUID END MODULE & ACCESSORIES**SOUTHWEST NEW STYLE MODULE FOR NATIONAL 12-P-160**

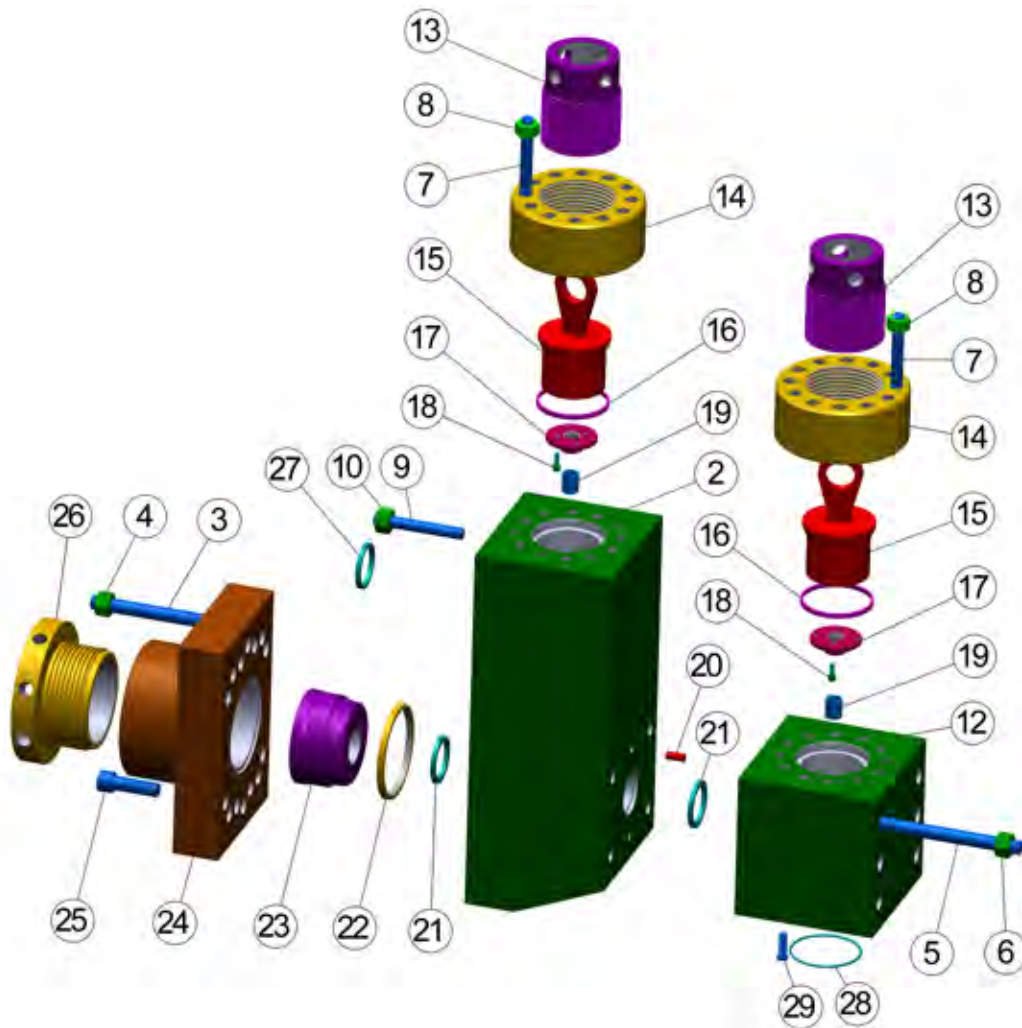
ITEM	PART NUMBER	DESCRIPTION	QTY/PUMP
	TS-8476-4A	FLUID END MODULE COMPLETE ASSEMBLY	3
1	TS-FEM12PDISSWNS	STUDED FLUID END DISCHARGE (INCLUDE 2-8)	3
2	TS-12PDISSWNS	DISCHARGE MODULE ONLY	3
3	TS-12P160PFS	STUD, POWER FRAME	30
4	TS-630020	NUT, POWER FRAME STUD	30
5	TS-12P160DSUCS	STUD, DISCHARGE TO SUCTION MODULE	18
6	TS-6300281	NUT, DISCHARGE TO SUCTION STUD	18
7	TS-12PTRSSW	STUD, THREADED RING	36
8	TS-6300240	NUT, THREADED RING STUD	36
9	TS-FEM12PSUCSWNS	STUDED FLUID END SUCTION (INCLUDE 10-12)	3
10	TS-12PSUCSWNS	SUCTION MODULE ONLY	3
11	TS-12PTRSSW	STUD, THREADED RING	36
12	TS-6300240	NUT, THREADED RING STUD	36
13	TS-12PCAPSW	CAP, THREADED (SCREW GLAND)	6
14	TS-12PFLGSW	RING, THREADED (THREADED FLANGE)	6
15	TS-12PVCSWNS	PLUG, VALVE COVER	6
16	TS-P-129	SEAL, VALVE COVER PLUG - RUBBER	6
17	TS-12PVGASWNS	ASSEMBLY, VALVE GUIDE	6
18	TS-50C125KFCYB	SCREW, VALVE GUIDE	12
19	TS-PZ789VGI	BUSHING, VALVE GUIDE	6
20	TS-6511416	PIN, DOWELL	6
21	TS-1290344	GASKET, WEAR PLATE AND MODULE	6
22	TS-PP6021260SW	PLATE, LINER WEAR	3
23	TS-12PLASW	FLANGE, LINER RETAINER (LINER BUSHING)	3
24	TS-PEP75	CAPSCREW, LINER RETAINER FLANGE	18
25	TS-12PLANSW	NUT, LINER RETAINER	3
26	TS-2410031437	SEAL, DISCHARGE ADAPTER	6
27	TS-1292253	ADAPTER, DISCHARGE	2
28	TS-2410031433	SEAL, DISCHARGE CONNECTOR TO DISCHARGE ADAPTER	2
29	TS-1292252	CONNECTOR, DISCHARGE	2
30	TS-700030711	CAPSCREW, DISCHARGE CONNECTOR (W/LOCKWASHER)	24
31	TS-1292175	RING, BACKUP (DISCHARGE CONNECTOR)	6
32	TS-1540851	GASKET, SUCTION MANIFOLD	3

TSC does not warrant or represent that any of such information is accurate, or that any products listed are compatible with each other.
Any deviations from the OEM products should be verified as to compatibility.

TSC Manufacturing and Supply LLC, 13788 West Road, Suite 100, Houston, Texas 77041, USA!

FLUID END MODULE & ACCESSORIES

**SOUTHWEST FOR EMSCO FB-1300, FB-1600
TSC Manufacturing and Supply, LLC.**



TSC Manufacturing and Supply LLC, 13788 West Road, Suite 100, Houston, Texas 77041, USA!

FLUID END MODULE & ACCESSORIES

SOUTHWEST FOR EMSCO FB-1300, FB-1600

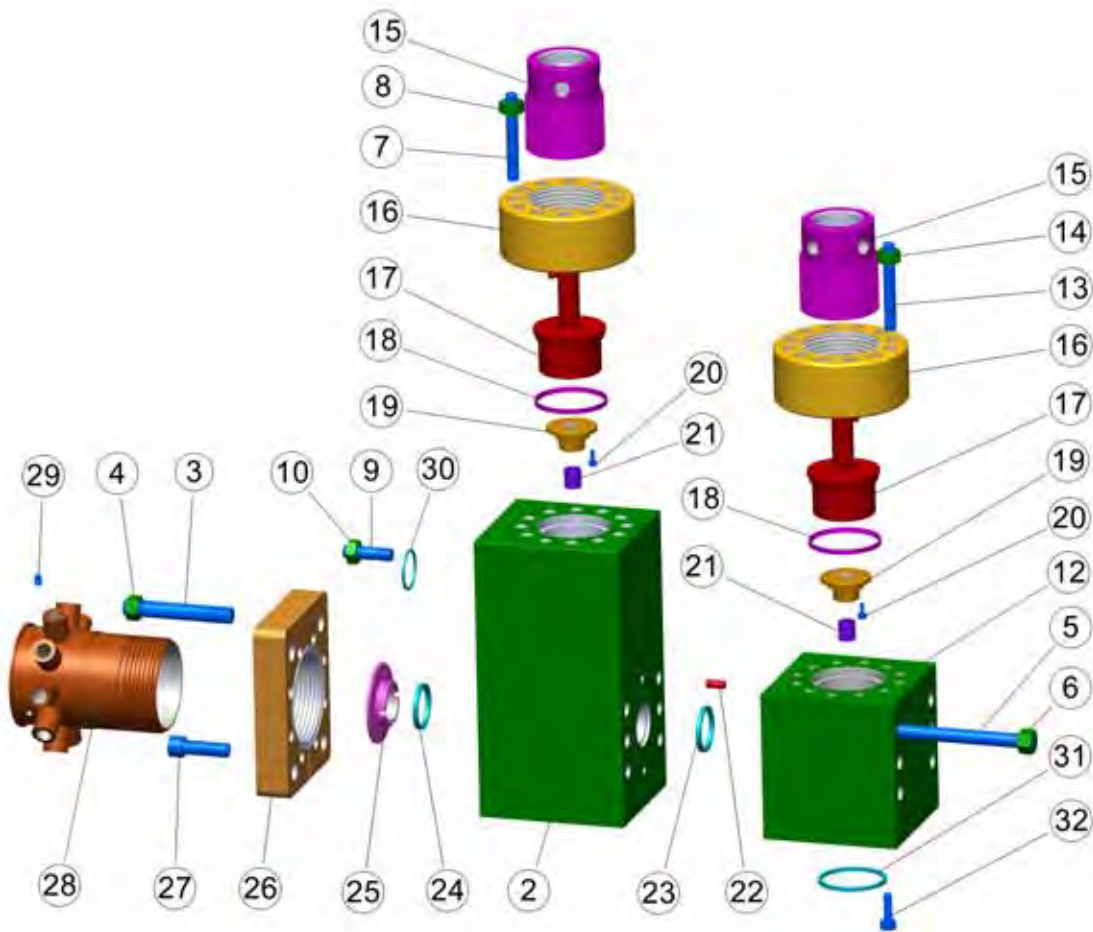
ITEM	PART NUMBER	DESCRIPTION	QTY/PUMP
	TS-8490-2A	FLUID END MODULE COMPLETE ASSEMBLY (INCLUDES ITEM 1-27)	3
1	TS-8490-1D	MODULE, STUDED DISCHARGE (INCLUDES ITEMS 2-10)	3
2	TS-8490-1	DISCHARGE MODULE ONLY	3
3	TS-4016-9	STUD, POWER FRAME	18
4	TS-7601-0630-17	NUT, POWER FRAME STUD	18
5	TS-4016-97	STUD, DISCHARGE MODULE TO SUCTION MODULE	18
6	TS-7601-0630-17	NUT, DISCHARGE TO SUCTION MODULE STUD	18
7	TS-4015-2	STUD, THREADED RING	72
8	TS-6300200	NUT, THREADED RING STUD	72
9	TS-4017-46	STUD, DISCHARGE MANIFOLD	12
10	TS-7601-0630-24	NUT, DISCHARGE MANIFOLD STUD	12
11	TS-8490-2S	MODULE, STUDED SUCTION (INCLUDES ITEMS 12, 7, 8)	3
12	TS-8490-2	SUCTION MODULE ONLY	3
13	TS-OWA17CAPSW	CAP, VALVE COVER (THREADED)	6
14	TS-OWA17FLGSW	RING, THREADED	6
15	TS-4675-2A	PLUG, VALVE COVER (ASSEMBLY)	6
16	TS-P-129	GASKET, VALVE COVER	6
17	TS-4775-2R	GUIDE, VALVE (INCLUDES ITEM 19)	6
18	TS-4016-99	VALVE GUIDE SCREW	12
19	TS-4700-I	BUSHING, VALVE GUIDE	6
20	TS-6511416	PIN, DOWELL	6
21	TS-1290344	SEAL, SUC TO DISCH MOD & WEAR PLATE	6
22	TS-8422-3	RING, LINER RETAINER PILOT	3
23	TS-8490-3	PLATE, LINER WEAR	3
24	TS-6490-3	FLANGE, LINER RETAINER	3
25	TS-4017-36	CAPSCREW, LINER RETAINER FLANGE (SOCKET HEAD)	24
26	TS-6590-1	NUT, LINER LOCK	3
27	TS-7602-1600-25	GASKET, DISCHARGE MANIFOLD	3
28	TS-7602-1600-61	GASKET, SUCTION MANIFOLD	3
29	TS-700048511	CAPSCREW, SUCTION MANIFOLD	18

TSC does not warrant or represent that any of such information is accurate, or that any products listed are compatible with each other.
Any deviations from the OEM products should be verified as to compatibility.

TSC Manufacturing and Supply LLC, 13788 West Road, Suite 100, Houston, Texas 77041, USA!

FLUID END MODULE & ACCESSORIES

SOUTHWEST FOR A-1400-PT, A-1700PT
TSC Manufacturing and Supply, LLC.



TSC Manufacturing and Supply LLC, 13788 West Road, Suite 100, Houston, Texas 77041, USA!

FLUID END MODULE & ACCESSORIES

SOUTHWEST FOR A-1400-PT, A-1700PT

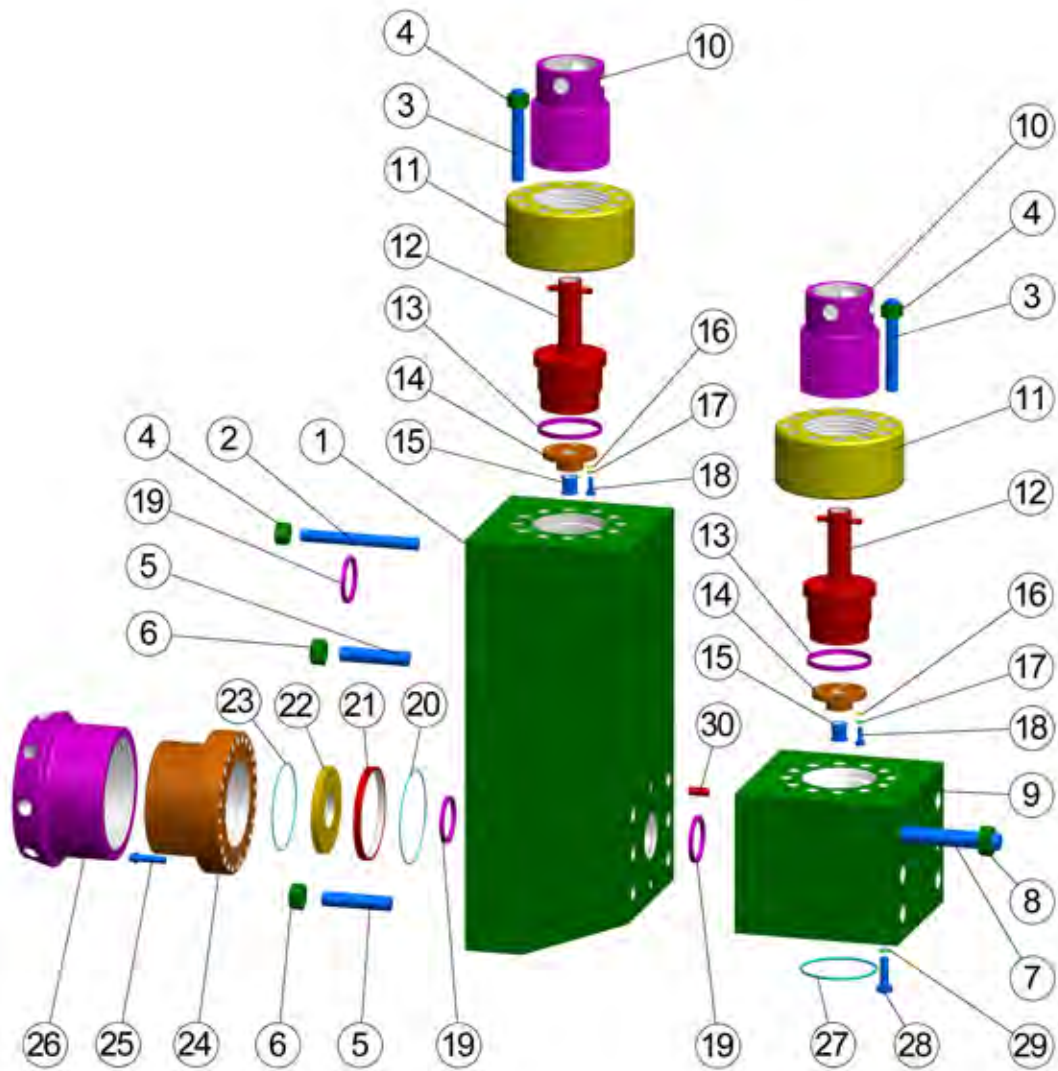
ITEM	PART NUMBER	DESCRIPTION	QTY/PUMP
	TS-FEMA17ASSYSW	ASSY, FLUID END MODULE COMPLETE (INCLUDES ITEMS 2-32)	
1	TS-8488-1D	MODULE,STUDED DISCHARGE(INCLUDES ITEMS 2-10)	3
2	TS-8488-1	DISCHARGE MODULE ONLY	3
3	TS-OWA17PFSSW	STUD, POWER FRAME	12
4	TS-6300281	NUT, POWER FRAME STUD	12
5	TS-OWA17DSUCSSW	STUD, DISCHARGE TO SUCTION MODULE	18
6	TS-7601-0630-17	NUT, FOR ABOVE STUDE	18
7	TS-OWA17TRSSW	STUD, THREADED RING	36
8	TS-6300200	NUT, THREADED RING STUD	36
9	TS-OWA17DMSSW	STUD, DISCHARGE MANIFOLD	12
10	TS-7601-0630-28	NUT, DISCHARGE MANIFOLD STUD	12
11	TS-8488-2S	MODULE, STUDED SUCTION (INCLUDES ITEMS 12-14)	3
12	TS-8488-2	SUCTION MODULE ONLY	3
13	TS-OWA17TRSSW	STUD, THREADED RING	36
14	TS-6300200	NUT, THREADED RING STUD	36
15	TS-OWA17CAPSW	CAP, THREADED	6
16	TS-OWA17FLGSW	RING, THREADED	6
17	TS-OWA17VCASSYSW	PLUG, VALVE COVER (INCLUDLES ITEMS 19-21)	6
18	TS-P-129	SEAL, VALVE COVER	6
19	TS-OWA17VGASW	GUIDE, VALVE	6
20	UB18-0813-025	SCREW, VALVE COVER RETAINER	12
21	TS-PZ789VGI	BUSHING,VALVE GUIDE	6
22	TS-6511416	PIN, DOWELL	6
23	TS-1290344	SEAL, DISCHARGE TO SUCTION MODULE	3
24	G-742	SEAL, WEAR PLATE	3
25	TS-10300184	PLATE WEAR	3
26	TS-OWA17LRPLATESW	PLATE, LINER RETAINER	3
27	TS-PEP68	CAPSCREW, LINER RETAINER PLATE	24
28	TS-OWA17LLNSW	NUT, LINER LOCK	3
29	TS-PEP90	SETSCREW, LINER RETAINER	9
30	TS-99609345	GASKET, DISCHARGE MANIFOLD	3
31	TS-10300201	GASKET, SUCTION MANIFOLD	3
32	TS-75634382	CAPSCREW, SUCTION MANIFOLD	24

TSC does not warrant or represent that any of such information is accurate, or that any products listed are compatible with each other.
Any deviations from the OEM products should be verified as to compatibility.

TSC Manufacturing and Supply LLC, 13788 West Road, Suite 100, Houston, Texas 77041, USA!

FLUID END MODULE & ACCESSORIES

**SOUTHWEST F-1600SW (7500 PSI)
TSC Manufacturing and Supply, LLC.**



USA: TSC Manufacturing and Supply LLC, Houston, Texas 77041, USA, PH+1 832 456 8900
 Canada: CW Industrial, 104-3921-81 Ave, Leduc, Alberta T9E 8S6 Canada PH +1 780 986 9695

FLUID END MODULE & ACCESSORIES**SOUTHWEST HHF-1600 (7500 PSI)**

ITEM	PART NUMBER	DESCRIPTION	QTY/PUMP
	TS-8404-25A	FLUID END MODULE COMPLETE ASSEMBLY (INCLUDES ITEM 1-30)	3
1	TS-8404-27U	DISCHARGE MODULE ONLY	3
2	TS-4019-60	STUD, DISCHARGE MANIFOLD	18
3	TS-4015-2	STUD, THREADED RING	72
4	TS-50B36	NUT (FOR ABOVE)	90
5	TS-4017-33	STUD, FLUID CYLINDER TO FRAME	30
6	TS-7601-0630-17	NUT, FRAME STUD	30
7	TS-4019-61	STUD, DISCHARGE MODULE TO SUCTION MODULE	18
8	TS-6300281	NUT, DISCHARGE MODULE TO SUCTION MODULE STUD	18
9	TS-8404-26U	SUCTION MODULE ONLY	3
10	TS-4588-25	CAP, VALVE COVER(THREADED)	6
11	TS-4488-25	RING, THREADED	6
12	TS-4690-25	COVER, VALVE POT	6
13	P-115U	SEAL, VALVE POT COVER	6
14	TS-4788-25	VALVE GUIDE	6
15	TS-4700-I	BUSHING, GUIDE	6
16	600599-001064	WASHER, VALVE GUIDE	12
17	600599-000026	SPRING WASHER, VALVE GUIDE	12
18	TS-4016-99	SCREW, VALVE GUIDE	12
19	TS-2988U	SEAL, DISCHARGE MANIFOLD & DISCHARGE TO SUCTION MODULE & WEAR PLATE	9
20	PF-7496-272	O-RING, WEAR PLATE(OUTER)	3
21	TS-8727-53-BJO	WEAR PLATE(OUTER)	3
22	TS-8727-53-BJI	WEAR PLATE(INNER)	3
23	760101-000218	O-RING, WEAR PLATE(INNER)	3
24	TS-6490-25	LINER LOCK	3
25	TS-4019-51	FLANGE 12-POINT SCREWS, LINER LOCK	72
26	TS-6590-25	RING, LINER THREADED	3
27	TS-7602-1600-61	O-RING, SUCTION MANIFOLD	3
28	TS-700048511	SCREW, SUCTION MANIFOLD	18
29	600599-001007	SPRING WASHER, SUCTION MANIFOLD	18
30	TS-6511416	DOWEL PIN	6

TSC does not warrant or represent that any of such information is accurate, or that any products listed are compatible with each other.
Any deviations from the OEM products should be verified as to compatibility.

USA: TSC Manufacturing and Supply LLC, Houston, Texas 77041, USA, PH+1 832 456 8900
Canada: CW Industrial, 104-3921-81 Ave, Leduc, Alberta T9E 8S6 Canada PH +1 780 986 9695

NOTES

TSC Manufacturing and Supply LLC, 13788 West Road, Suite 100, Houston, Texas 77041, USA!



COMPANY

TSC MANUFACTURING and SUPPLY, LLC is a leading worldwide manufacturer and distributor of fluid end expendables and mud pump spare parts for existing equipment, and new mud pumps of TSC design. These highly specialized parts are used throughout the oil well drilling, workover, water well drilling and mining industry.

Headquartered in the USA, Houston, Texas, coupled with extensive worldwide global locations, TSC is able to provide high quality products with expedient deliveries to our valued customers.

TSC's modern manufacturing facilities feature strict quality control processes which guarantee our products are produced to the highest industry standards, which include certification to ISO 9001 and API ISO/TS 29001 standards, and authorization to mark our equipment with API monogram.

Additionally, our extensive experience in research and development abilities and activities enables us to effectively manufacture existing products to even higher standards, which ensures that the products you receive consistently exceed OEM specifications, not just meet them.

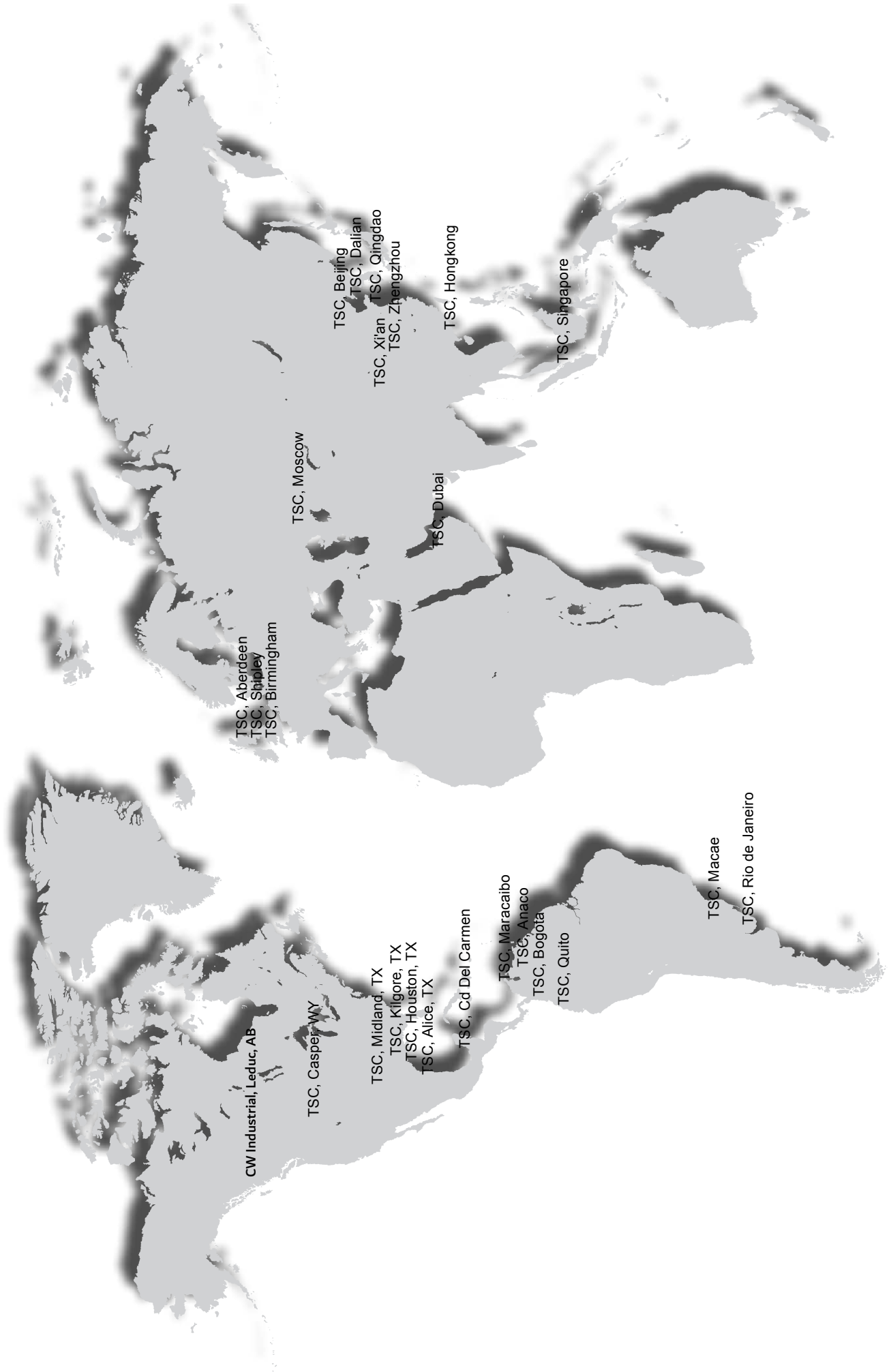
When you require fluid end expendables or mud pump replacement parts, TSC's goal is to exceed our customers' expectations 24/7/365 with our superior customer service and the highest quality products at competitive prices.

You won't regret allowing us to service your organization. Remember...

TSC is your **Total Solution Company**



TSC Manufacturing and Supply LLC, 13788 West Road, Suite 100, Houston, Texas 77041, USA!



CW Industrial, Leduc, AB

TSC, Aberdeen
TSC, Shipley
TSC, Birmingham

TSC, Casper, WY

TSC, Midland, TX
TSC, Kilgore, TX
TSC, Houston, TX
TSC, Alice, TX

TSC, Cd Del Carmen

TSC, Maracaibo
TSC, Anaco
TSC, Bogota
TSC, Quito

TSC, Macae

TSC, Rio de Janeiro

TSC, Moscow

TSC, Beijing
TSC, Dalian
TSC, Xi'an
TSC, Qingdao
TSC, Zhengzhou

TSC, Dubai

TSC, Hongkong

TSC, Singapore



OGS GROUP

*Beyond Integration
Seamless Solutions™*



TSC MUD PUMP EXPENDABLES

www.tscms.com

USA

TSC MANUFACTURING AND SUPPLY, LLC.

13788 West Road, Suite 100,
Houston, Texas 77041 U.S.A.
Tel: 832.456.3900
Toll Free: 1.866.8300.TSC
Fax: 832.456.3998

sales@tscms.com

CANADA

CW INDUSTRIAL LTD

104, 3921-81!A West Road, Suite 100,
Las 77041 U.S.A.
Tel: 832.456.3900
Toll Free: 1.866.8300.TSC
Fax: 832.456.3998

sales@tscms.com



Revision A