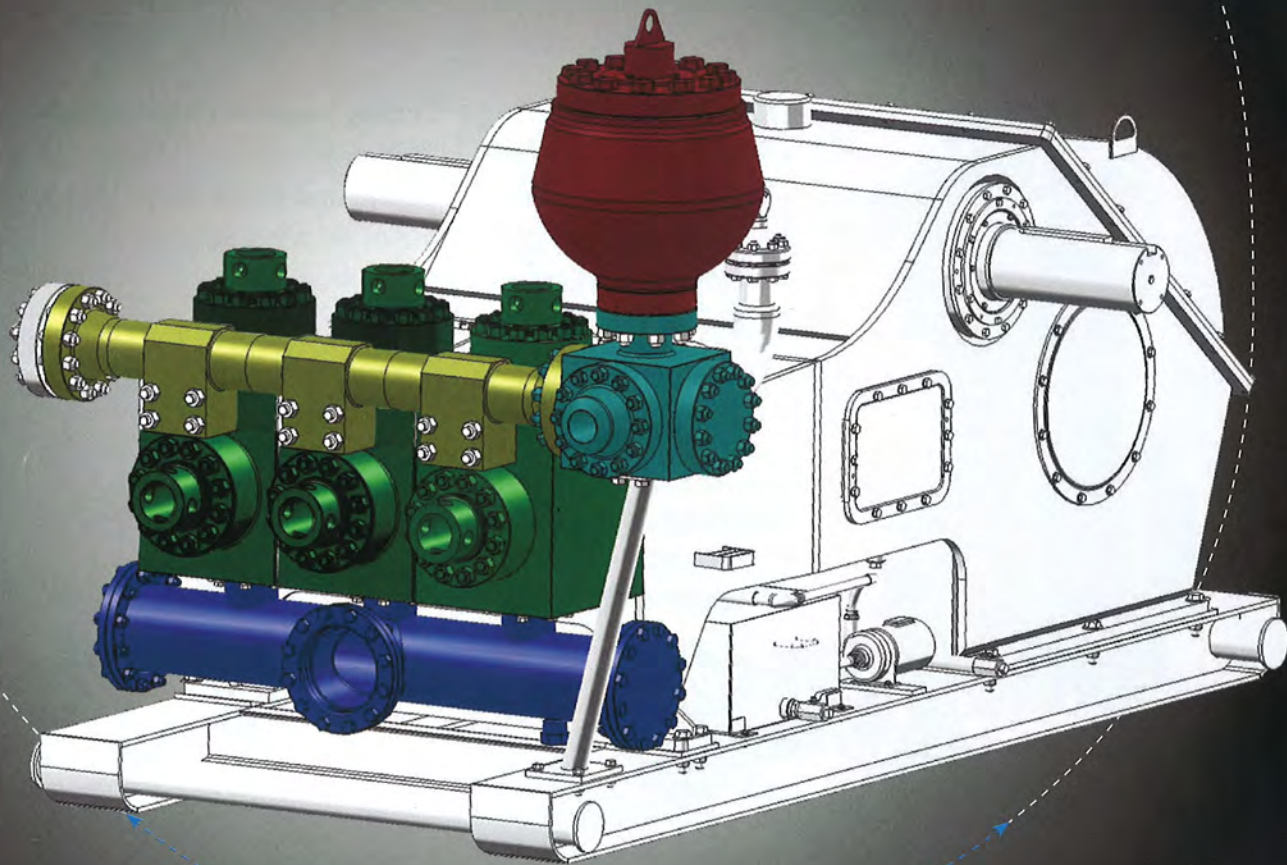


*Mud Pump 7,500 PSI Fluid End Upgrade*  
**Mud Pump 7,500 PSI Fluid End Upgrade**  
*Mud Pump 7,500 PSI Fluid End Upgrade*



**Your Complete Source  
of Conversions**

**GLOBAL SOLUTIONS**

DESIGNING, MANUFACTURING AND PACKAGING FOR THE OIL & GAS INDUSTRY

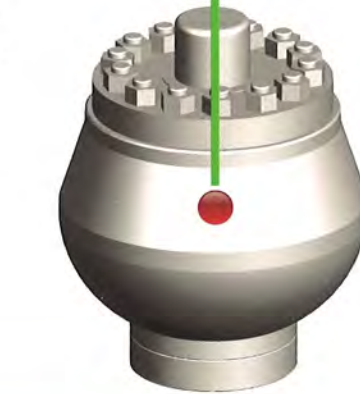


**Beyond Integration  
Seamless Solutions™**



### Pulsation Dampener

- Popular Hydril Interchangeable Style
- One Piece Forged Body
- Domestic Elastomer Products
- Nitrile (NBR), Hydrogenated Nitrile (HNBR), and Urethane Diaphragm Options to Match Customer Application Requirements
- Field- Replaceable Top and Bottom Plates
- Pressure tested to 1.5 Time of MAWP 7500 PSI
- ASME Coded Design Available



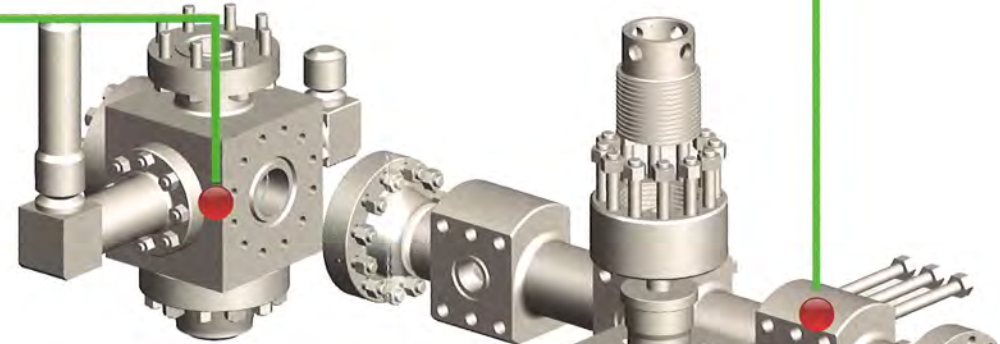
### Discharge Manifolds

- Forged Steel Construction
- Heat Treated and Ultrasonic Non-Destructive Examination
- Hydrostatic Tested to 1.5 Time of MAWP 7,500 PSI
- Different Designs Available



### Discharge Strainer Cross

- 5-Way or 6-Way Configurations
- Adapters for Pressure Gauge and Relief Valve
- Pressure Test to 1.5 Time of MAWP 7,500 PSI
- Various Flange Sizes as Required
- Custom Design per Customer's Requirements



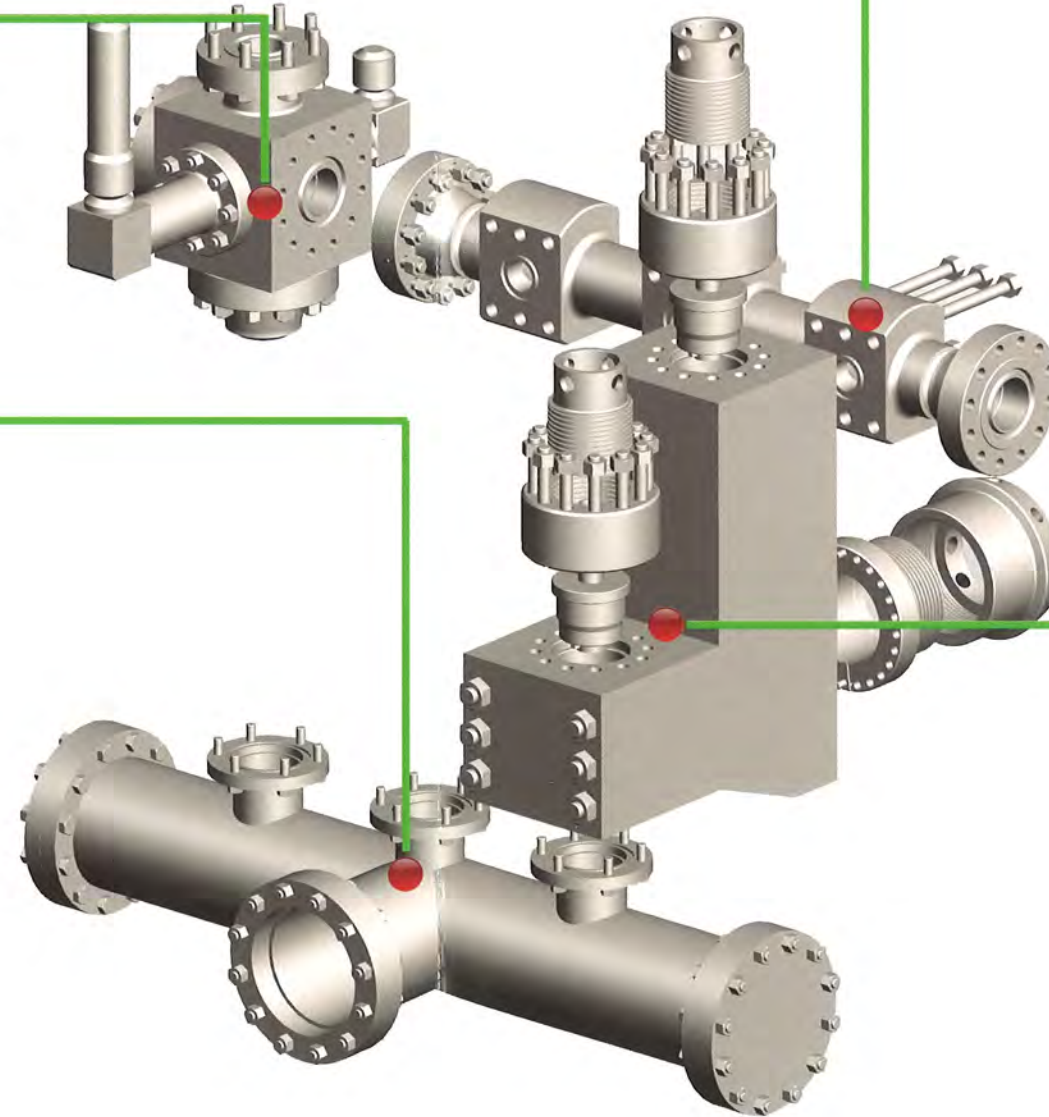
### Fluid End Modules

- OEM Interchangeable
- Pressure Test to 1.5 Time of MAWP 7,500 PSI
- Made from High Strength, Low Alloy Material
- Valve-Over-Valve or 2- Piece L-Shape Designs
- Quenched and Tempered for Longer Fatigue Life



### Suction Manifolds

- Precisely - Controlled
- Welding Jig for Better Fit



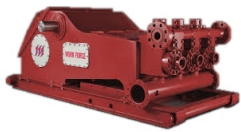
### Available Mud Pump Models

- JBI JLF1300
- BOMCO, JBI, HH F1000
- BOMCO F1600 - Southwest Style
- EMSCO FC1600
- GARDNER DENVER PZ11
- HH F1600 - Southwest Style
- NATIONAL 12P160
- TSC WF1300
- TSC WF1600

- Localized Service through a Global Network
- Maintenance / Repair Service
- Alignment, Clearance & Tolerance Adjustments
- Internal Repair/Replacement Service
- Closed Circuit Pressure Testing
- API 7K, Q1 & ISO 9001 Certified
- World Class R&D Team
- Fully Stocked Local Inventories
- Wholly-owned Manufacturing Facilities
- Global Quality System
- Worldwide Immediate Parts Support
- Mature Global Supply Network



**CW INDUSTRIAL**, a division of CW Manufacturing, is our industrial equipment supply division dedicated to providing its customers with exceptional service and value in the industry. With an experienced and knowledgeable team proudly representing top tier manufacturers, we provide quality products & solutions for our Oil & Gas, Energy and Industrial Customers. Combined with our CW Manufacturing location, we provide complete turn key systems and packages, with full in-house design, engineering, fabrication, assembly and testing capabilities.



**Triplex Mud Pumps**



**Fluid End Modules & Parts**



**7500PSI Upgrade Kits**



**Centrifugal Pumps**



**AC/DC Motors & Drives**



**Wireline Sheaves**



**Well Control Products**



**Power Transmission Products**



**Bearings, Seals, Repair Kits**



**System Packages**